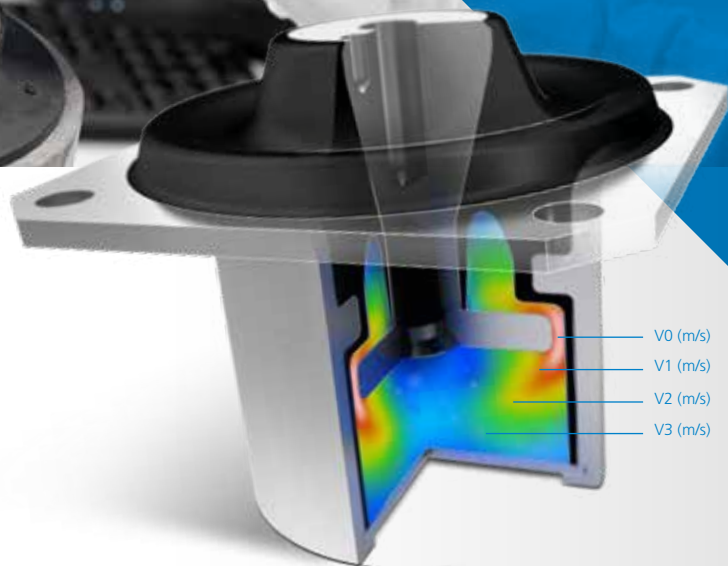


ANTI-VIBRATION MOUNTS AMC MECANOCAUCHO®



MORE THAN 45 YEARS OF EXPERIENCES ENDORSE US

Since 1969 **AMC MECANOCAUCHO®** has pioneered the manufacture and design of articles for the reduction of integral vibrations from structures and air-borne noise.

Factory 1



Factory 2



1969



1995

QUALITY COMMITMENT

The products commercialised by AMC are all made in-house.

The stiffness and levels of adhesion of all these products have been controlled so that they may be identified as "AMC MECANOCAUCHO®" products, whereby they can be traced. AMC MECANOCAUCHO® is officially approved by the NATO under the ID no. NCAGE 0230 B-compliant supplier.

ISO 9001:2014



ISO 14001: 2014



Marine type approval



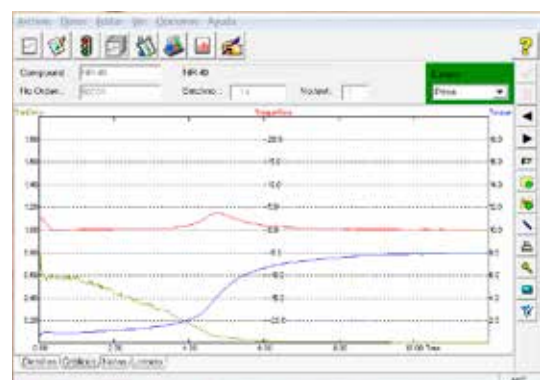
NATO certificate



Adhesion Test



Extensometer



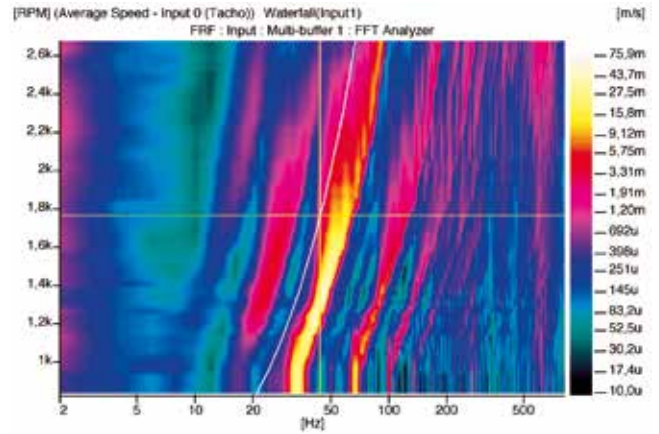
Rheometer

THE SOLUTION

Machinery, which by virtue of its design has reciprocating or rotating parts, creates vibration to some degree through imbalance of the moving parts.

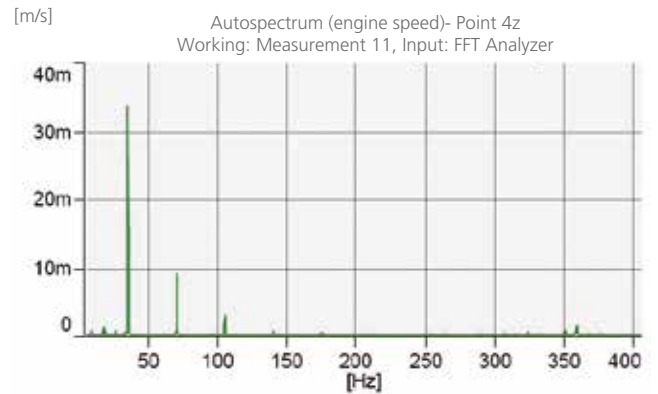
This vibration produced by a machine leads to different problems, such as a reduction in the machine's useful life through part wear, plus the transmission of this vibration to other non-insulated adjacent structures, giving rise to problems of noise and vibration transmission.

FFT analysis of orders for a diesel engine

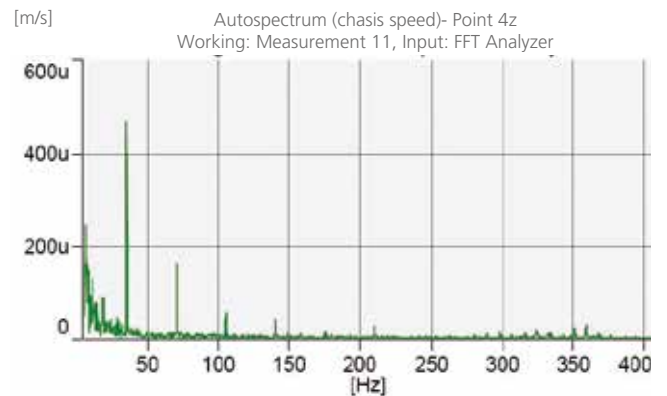


For more than 45 years, AMC MECANOCAUCHO® has been developing the "AMC MECANOCAUCHO®" range of rubber-metal anti-vibration supports which can solve problems like the ones described above in all types of machinery, mobile or static, thus protecting people and the environment from the harmful effects of noise and vibrations.

Engine FFT



Chassis FFT



APPLICATIONS

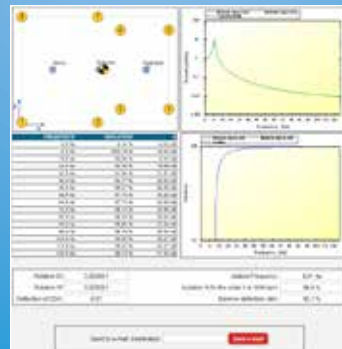
Our products are used in sectors such as:

- Generation of electrical energy
- Air compression
- Pumping of liquids
- Industrial vehicles
- Machine Tools
- Marine propulsion and auxiliary equipment
- Agricultural and construction equipment machinery
- Acoustic isolation of premises and sites
- Vibrating screens, Hoppers, Silos, Feeder screens



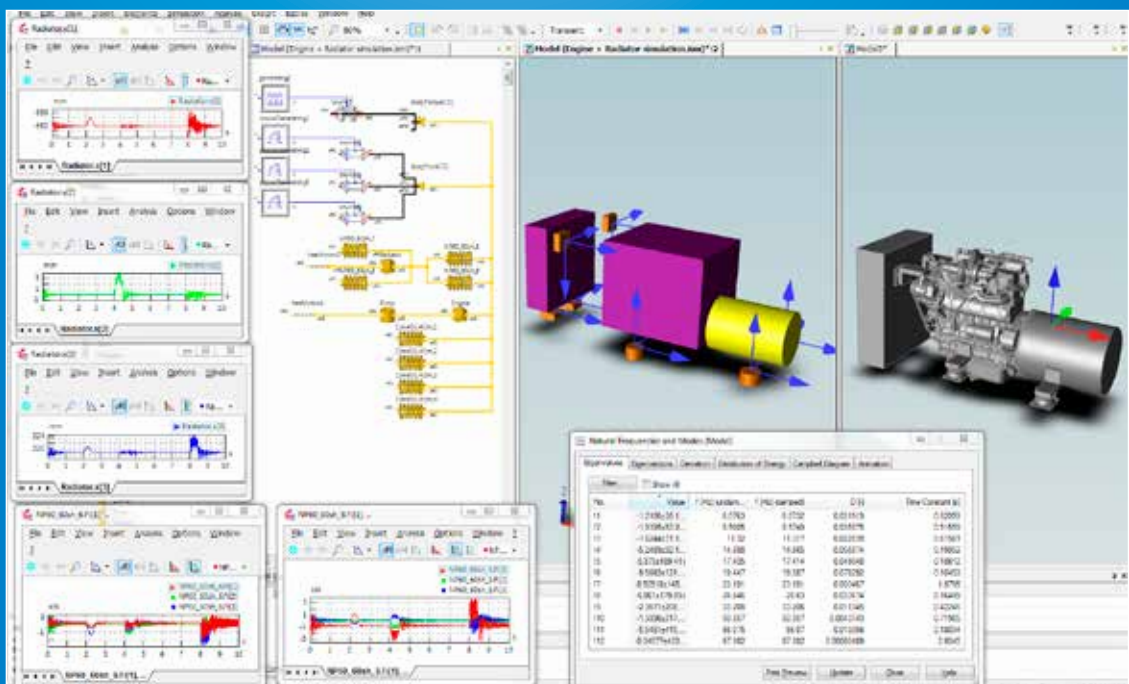
ENGINEERING

1. Calculation



AMC MECANOCAUCHO® calculates anti-vibration solutions by taking into account data such as weight, mount positions, type of machine, Center of Gravity, frequency of excitation, etc...

One degree of freedom calculation

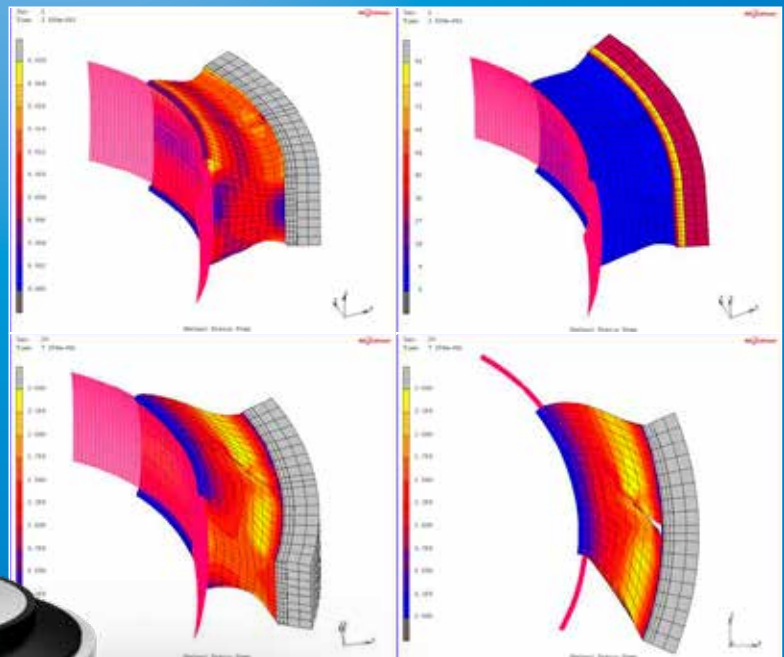


Anti-vibration calculation with more than one degree of freedom.

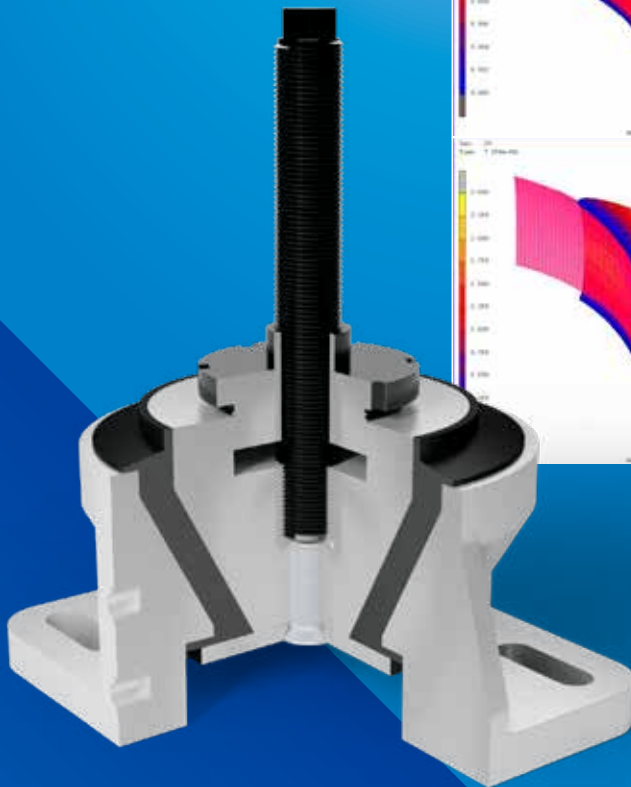
2. Design



After studying client specific needs for the application and the isolation performance required, **AMC MECANOCAUCHO®** can produce a new design if standard products are not suitable.



Analysis of stress by non-linear FEM.



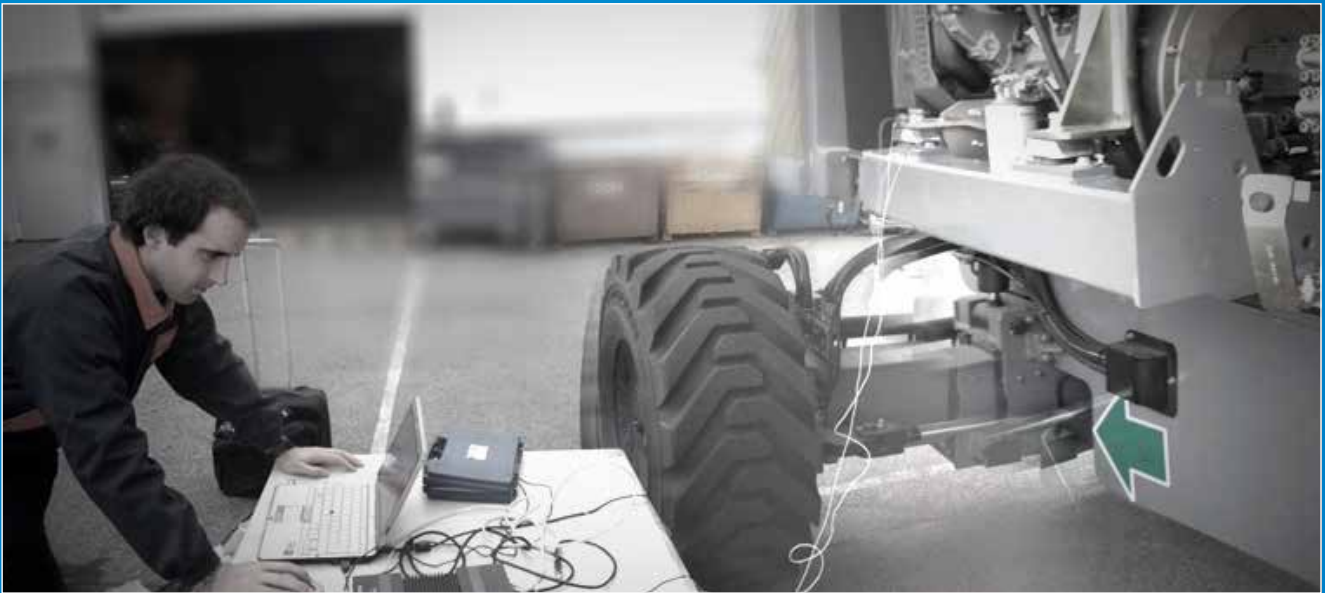
Modelling of products in 3D.

3. Test and dynamic characterisation



AMC MECANOCAUCHO® can offer customers a wealth of experience and know how in measuring noise and vibration to effect optimun solutions to those problems.

4. Measurements



AMC MECANOCAUCHO® provides its customers with all its experience and know-how in measuring vibrations and noise in the field so as to reduce machine-produced emissions of noise and vibrations.





ANTI-VIBRATION TECHNIQUES

1.-ABC AT A GLANCE

MASS SPRING SYSTEM

A mass spring system may be represented by a mass "M", excited by a force "F" and supported on an elastic stiffness element "K" with a damping factor "C".

The frequency of the mass spring system is equal to:

$$f_o = \frac{1}{2 \cdot \pi} \sqrt{\frac{k}{M}}$$

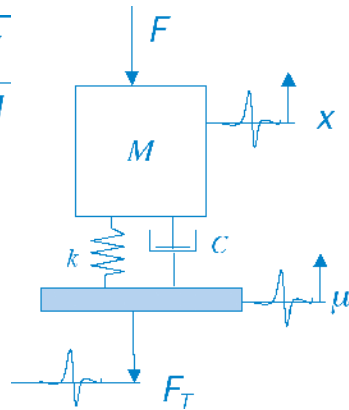


figure 3

- K (N/m)
- M (Kg.)
- F_o (Hz)
- C (Ns/m)

The effectiveness of the suspension may be measured by transmissibility, i.e. by the force which is transmitted by the machine to the ground or floor. It is defined as the ratio between the force transmitted to the ground, F_{OT}, and the original force produced by the vibration F_o.

Another practical term is often used to describe the efficacy of an anti-vibration mount, namely the degree of insulation, which is:

Transmissibility equation: $E = (1 - T) \times 100\%$

Taking the following parameters into account:

Excitation $x = x_o \sin(\omega t + \vartheta)$
 $F = F_{To} \sin(\omega t + \vartheta)$

Response $\mu = \mu_o \sin \omega t$
 $F = F_o \sin \omega t$

Own Pulsation: $\omega_o = \sqrt{\frac{k}{M}}$ $C \cong 0$

and natural frequency of $f_o = \frac{1}{2 \cdot \pi} \sqrt{\frac{k}{M}}$

The damping parameters are: $C_c = 2 \cdot \sqrt{kM}$

Where C_c is the critical damping and ξ the damping coefficient. $\xi = \frac{C}{C_c}$

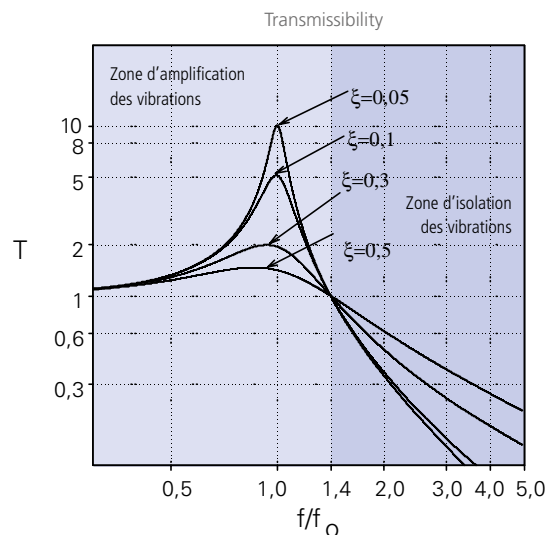
For this system we obtain a transmissibility T and a magnification factor A:

$$T = \frac{x_o}{\mu_o} = \frac{F_{TO}}{F_o} = \sqrt{\frac{1 + \left(2 \cdot \xi \cdot \frac{\omega}{\omega_o}\right)^2}{\left(1 - \frac{\omega^2}{\omega_o^2}\right)^2 + \left(2 \cdot \xi \cdot \frac{\omega}{\omega_o}\right)^2}}$$

For the case of active $T = \frac{F_{TO}}{F_o}$ and

passive isolations, we will have to $T = \frac{x_o}{\mu_o}$

Figure 5 represents the transmissibility curve of the schematic mass spring system of figure 3.



Examining this curve allows us to reach basic conclusions for an effective isolation.

If the frequency of excitation is $\sqrt{2}$ times less the natural frequency, transmissibility is greater than one, then the force transmitted is greater than the excitation force, there is magnification of the vibrations. When we work in this area, the existing damping in the system is important. The greater the latter, the smaller the magnification of the vibrations will be.

If the frequency of excitation is $\sqrt{2}$ times greater than the natural frequency, transmissibility is less than one, or in other words the force transmitted is less than the force originated in the system, then we are in the damping area.

In order to achieve the greatest isolation, the lowest possible natural frequencies should be sought. There are two ways of doing this:

- By increasing the system mass.
- By reducing the stiffness of the anti-vibration mount.

To increase the efficacy of the isolation in the damping area, it is advisable to have low damping, although weak damping generates greater displacement when passing through the resonance, it is advisable to use a damping coefficient T so that passage through the resonance does not give rise to inadmissible displacement for the machine.

STATIC AND DYNAMIC STIFFNESS

The stiffness of a rubber anti-vibration mount changes when a dynamic force is applied to it. This parameter depends on architecture, the compound used and even the frequency of excitation.

Generally speaking, dynamic stiffness is always greater than static stiffness, so calculations based on static stiffness may lead to wrong conclusions. In some cases it is possible to reach limits of dynamic stiffness which are two and even three times greater than the static stiffnesses.

DAMPING

The damping coefficient depends basically on the compound used in manufacturing of the anti-vibration mount. It is a crucial parameter that must be addressed when designing anti-vibration suspensions.

CREEPING AND LONG-TERM BEHAVIOUR

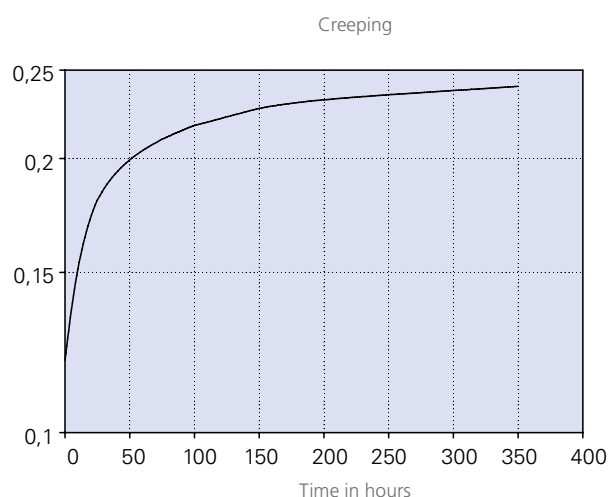
If an elastomeric element is under a static load, this load produces a progressive increase in deformation.

This phenomenon may be important in a wide variety of applications, from mounts for buildings to engine mounts.

Creeping at a given time t is calculated as:

$$t = \frac{x_1 - x_0}{x_0} \times 100\%$$

And is expressed as a percentage (%) of the initial deformation. This value depends on the geometry of the mount, and above all on the way the rubber is worked.



Designs that use rubber in shear are more conducive to "Creep" than designs which use rubber in compression or shear and compression.

ANTI-VIBRATION TECHNIQUES

1.-DYNAMIC TESTING MACHINE

Dynamic stiffness can only be established by measurement on a dynamic test bench. Similarly, the damping coefficients of compounds are further values that can be measured with this type of machines.

One concept that must be taken into account when designing an anti-vibration mount is its durability. A dynamic testing machine allows us to conduct fatigue tests that reproduce the real working conditions of the part so that its useful life can thus be predicted accurately.

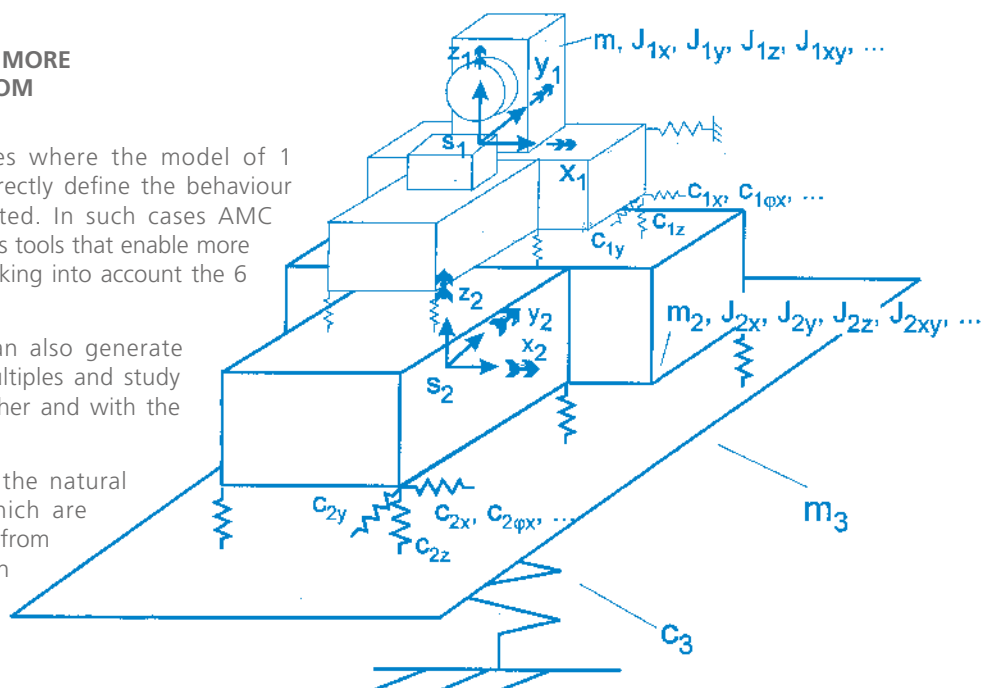


2.- ANALYSIS OF SYSTEMS OF MORE THAN ONE DEGREE OF FREEDOM

In actual fact, there are cases where the model of 1 degree of freedom cannot correctly define the behaviour of the equipment to be isolated. In such cases AMC MECANOCAUCHO® have analysis tools that enable more elaborate models to be made taking into account the 6 Degrees of Freedom rules.

The latest computing tools can also generate virtual models of solid rigid multiples and study how they interact with each other and with the environment.

As a result, we can ascertain the natural frequencies of the system which are really important to prevent them from coinciding with the excitation frequencies so as not to have resonance problems.



GENERAL CHARACTERISTICS OF ELASTOMERS



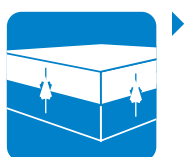
NATURAL RUBBER

Natural rubber is used in the manufacture of elastomers with high elasticity and tear strength. It is a strong material with excellent abrasion resistance. Among all the rubber families, natural rubber offers the best resistance to mechanical and dynamic loads. Natural rubber is not stable versus non-polar liquids such as mineral oils, lubricants, fuels and aliphatic and aromatic and hydrocarbons and chlorides. Its moderate ozone stability can be improved with additives.



OZONE RESISTANCE

This characteristic is important for measuring an elastomer's weather stability. The speed at which it may deteriorate depends on the prevailing environment conditions and the formulation of the compound.



ADHESION

The bond between elastomers and metals is made by adhesives which are applied to the metal parts which leverage the process of vulcanisation to create a firm bond between elastomer and metal.



SYNTHETIC RUBBERS

Synthetic rubbers are conceived using raw materials such as petroleum or natural gas. At the moment they have found their own fields of application where natural rubber does not meet the required technical specifications, such as heat resistance (silicones and EPDM), oils (nitrils) or weather (neoprene).



CREEPING AND PERMANENT DEFORMATION

The creeping and permanent deformation of elastomers subjected to continuous stress is unavoidable. The material presents a creep which in the case of permanent deformation is expressed as a percentage of the static load. Values of of 25% are usual in anti-vibration mounts.



COMPOUNDS

An elastomer is not composed of a single material, but rather contains very varied substances. Mixes can be made with different formulations to obtain different stabilities and different mechanical characteristics.



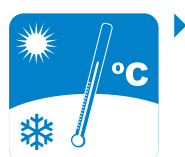
TOLERANCES

No part can be manufactured with absolute precision, the dimensional tolerances of rubber articles are established in the ISO 3302 standard. As for physical properties, hardness may vary by ± 5 shore, and stiffness "K" admits a margin of $\pm 20\%$. In cases of highly demanding requirements, this margin can be reduced to $\pm 10\%$ thanks to a highly-sophisticated process.



HARDNESS

The hardness of the elastomer depends on its formulation and is measured by means of practical units established by different standards such as shore (A) or IRH. AMC Mecanocaucho uses the shore scale (A), and manufactures anti-vibration mounts with hardnesses of between 40 and 75 shore.



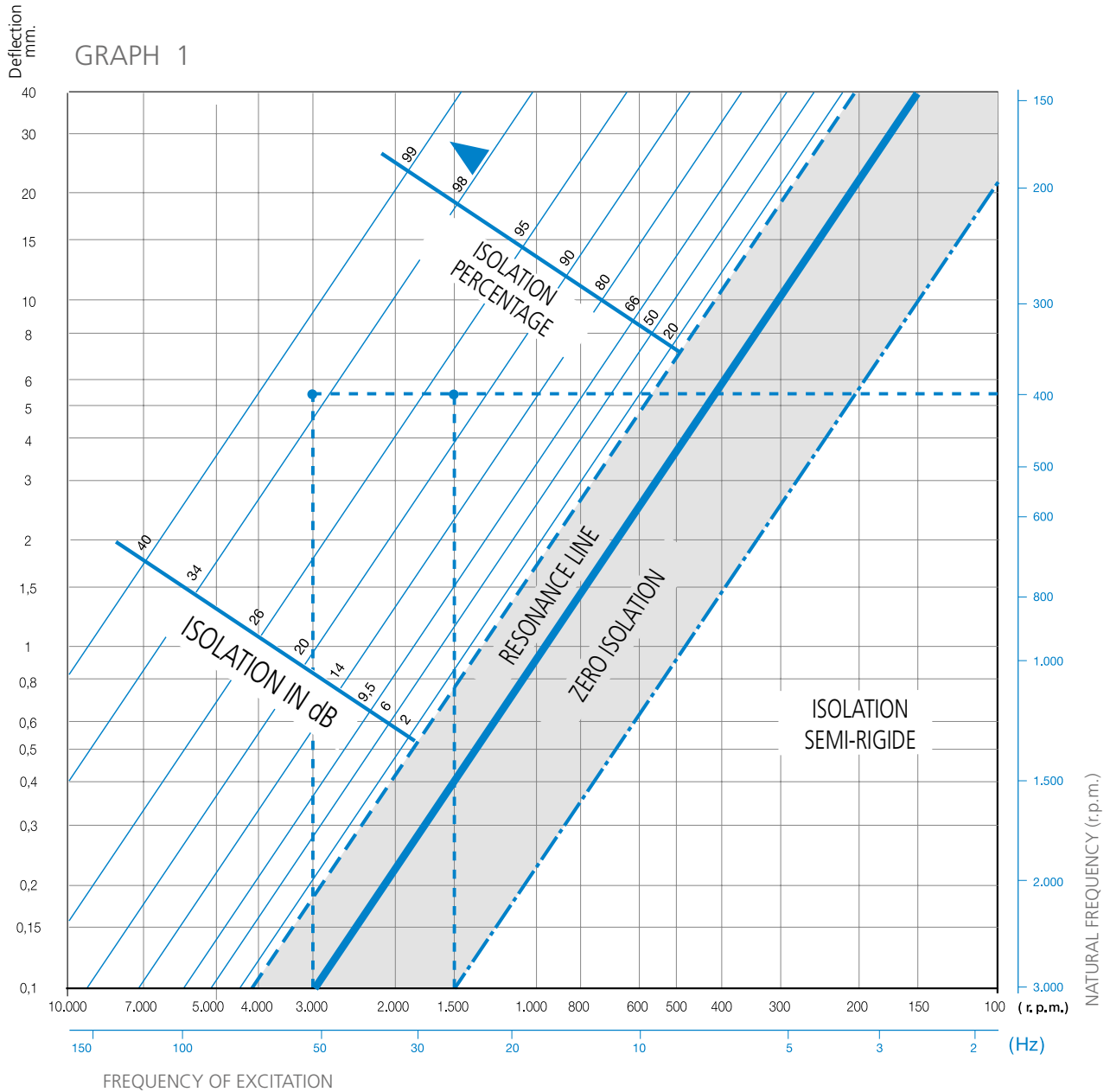
THERMAL STABILITY

Natural rubber based vulcanised materials are stable within the limits of -40°C to $+80^{\circ}\text{C}$, if the action of the temperature in question is permanent.

If the temperature acts sporadically, these elastomers can act from -50°C to $+120^{\circ}\text{C}$, although these limits may be varied by using specific formulations.



VIBRATION ISOLATION GRAPH










INDEX DEPENDING ON THE APPLICATION

Mobile Applications
Engines, generators,
compressor pumps

 BRB Page 16	 BSB Page 18	 BRT Page 20	 MARINE MOUNTS Page 22	 XD MARINE MOUNTS Page 24	 HYDRAULIC MOUNTS Page 28	 HYDRAULIC CONES Page 32
 CONES Page 36	 CONES WITH FIXATION FLANGE Page 44	 CABINE MOUNTS Page 46	 CB Page 48	 TF Page 50	 SCB Page 51	 SCBR Page 53
 SCH Page 56	 SCHR Page 58	 MD Page 64	 AT Page 66	 SPS Page 69	 VD Page 70	 MARINE V-TYPE Page 71
 NP MOUNTS Page 73						




Static applications:
Engines, generators,
hydraulic pumps and
compressors

 FZ SYLOMER® Page 25	 FZM Page 27	 DSD Page 60	 DRD Page 62	 ATP Page 68	 GENERATOR MOUNT IN V Page 72	 TRANSFORMER MOUNTS Page 74
---	---	---	---	--	--	--

Mounts for
Heavy Loads

 SH Page 75	 ANTI-SKID Page 77	 TYPE B Page 77	 TYPE P Page 77	 ANTI-SKID P Page 77	 TYPE S Page 78	 TYPE G.C. Page 78
--	---	--	--	--	--	---

Levelling machine
mounts

 NF-NFR Page 79	 SV Page 80	 SV LOW Page 81
--	--	--


Rubber blocks
and mats

 TYPE T Page 82	 TYPE C Page 82	 300X300 Page 82	 400X400 Page 82	 BLOCKS Page 82
--	--	---	---	---

Height adjusting
systems

 HEIGHT ADJUSTERS Page 83
--



Bushings

 ECCENTRIC BUSHINGS Page 54	 BUSHINGS Page 84
--	--


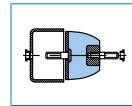
Elastomeric
Springs

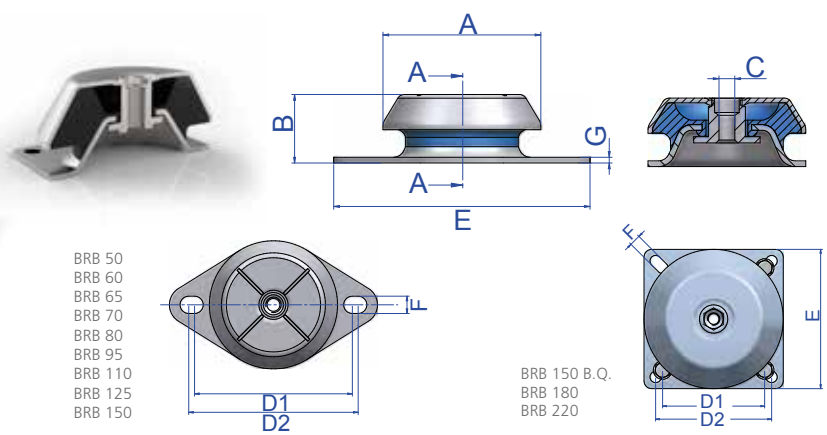
 ELASTOMERIC SPRINGS Page 86

Bobbins & buffers

 MECANOCAUCHO BOBBINS Page 87	 MECANOCAUCHO BUFFERS Page 96
--	--

Elastic
Couplings

 COUPLING Page 85	 TYPE DP Page 85
--	---



BRB 50
BRB 60
BRB 65
BRB 70
BRB 80
BRB 95
BRB 110
BRB 125
BRB 150

BRB 150 B.Q.
BRB 180
BRB 220

BRB

DESCRIPTION

The BRB type AMC MECANOCAUCHO® mounts are antivibration elements which work the rubber in shear and compression. Their tall height section produce large deflections, low natural frequencies, and excellent vibration isolation results. This range of mounts is suitable for applications where high vibration isolation in the 85-95% range is a priority.

TECHNICAL CHARACTERISTICS

- The top metal hood protects the rubber from the Ozone, UV rays, diesel or oils which damage the rubber.
- The metal parts have a suitable anticorrosive treatment for outdoor applications. RoHs compliant.
- They have an interlocking metal component that provides a fail-safe protection for mobile applications. This device limits the ascending vertical movement when the mounting is submitted to shocks at traction.
- The mounts are clearly identified, as the base-plates are engraved with the type and hardness, which makes it possible to easily recognise the part even after several years of use.
- The hood has a cross stamped on the top, which enhances its rigidity on mobile applications and also improves the evacuation of oils or liquids that precipitate onto it.

APPLICATIONS

This mount is suitable for the isolation of mobile rotating machines which are exposed to axial and radial shocks, dripping oil, diesel or exposure to the weather. It is particularly interesting for applications where a high level of vibration isolation is required.

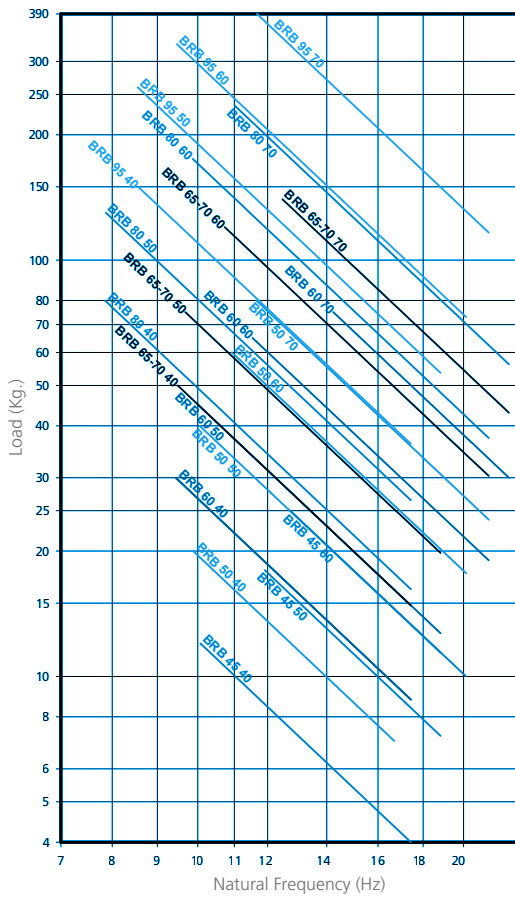
DNV Marine Type approval



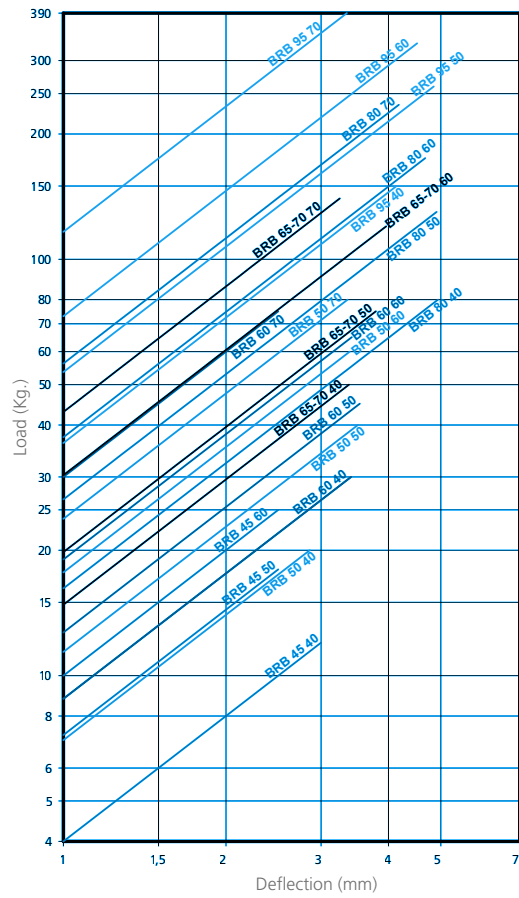
Type	A (mm)	B (mm)	C (mm)	D1 (Min.)	D2 (Max.)	E (mm)	F (mm)	G (mm)	Weight (gr.)	Code	Load (kg)	Shore
BRB 50	50	25	M-8	61	70	85	6,5	2	117	135451	20	40 Sh
										135453	40	50 Sh
										135455	60	60 Sh
										135457	80	70 Sh
BRB 60	64	35	M-10	76,5	90,5	110	9	2,5	225	135101	30	40 Sh
										135405	45	50 Sh
										135103	65	60 Sh
										135104	75	70 Sh
BRB 65 M10	64	35	M-10	76,5	90,5	110	9	2,5	243	135421	50	40 Sh
										135422	75	50 Sh
										135423	120	60 Sh
										135424	140	70 Sh
BRB 65 M12	64	35	M-12	76,5	90,5	110	9	2,5	243	135431	50	40 Sh
										135432	75	50 Sh
										135433	120	60 Sh
										135434	140	70 Sh
BRB 70	64	35	M-12	100	100	120	11	3	253	135251	50	40 Sh
										135252	75	50 Sh
										135253	120	60 Sh
										135254	140	70 Sh
BRB 80 M10	83	35	M-10	108	112	135	11	3	398	135231	80	40 Sh
										135232	130	50 Sh
										135233	175	60 Sh
										135234	235	70 Sh
BRB 80 M12	83	35	M-12	108	112	135	11	3	398	135275	80	40 Sh
										135276	130	50 Sh
										135277	175	60 Sh
										135278	235	70 Sh
BRB 95 M10	92	39	M-10	122	126,6	150	10	3	657	135771	150	40 Sh
										135772	260	50 Sh
										135773	330	60 Sh
										135774	390	70 Sh
BRB 95 M12	92	39	M-12	122	126,6	150	10	3	657	135761	150	40 Sh
										135762	260	50 Sh
										135763	330	60 Sh
										135764	390	70 Sh
BRB 110 M12	106	41	M-12	137	149	175	13	3	857	135241	200	40 Sh
										135242	305	50 Sh
										135243	420	60 Sh
										135244	450	70 Sh
BRB 110 M16	106	41	M-16	137	149	175	13	3	857	135331	200	40 Sh
										135332	305	50 Sh
										135333	420	60 Sh
										135334	450	70 Sh
BRB 125	123	48	M-16	154	162	190	14	4	1170	135618	350	40 Sh
										135620	500	50 Sh
										135622	700	60 Sh
										135624	900	70 Sh
BRB 150 S.B.	156	53,5	M-16	125	132	164	14,5	4	2030	135205	450	40 Sh
										135206	570	50 Sh
										135207	800	60 Sh
										135208	1000	70 Sh
BRB 150	156	53,5	M-16	176	188	218	14,5	4	1840	135161	450	40 Sh
										135162	570	50 Sh
										135163	800	60 Sh
										135164	1000	70 Sh
BRB 180	186	84	M-20	146	150	181	14	5	3800	135391	875	40 Sh
										135392	1200	50 Sh
										135393	1700	60 Sh
										135394	2400	70 Sh
BRB 220	230	105	M-24	180	180	220	19	6	6716	135201	1600	40 Sh
										135200	2400	50 Sh
										135202	3400	60 Sh
										135203	4200	70 Sh

S.B. = Square Base

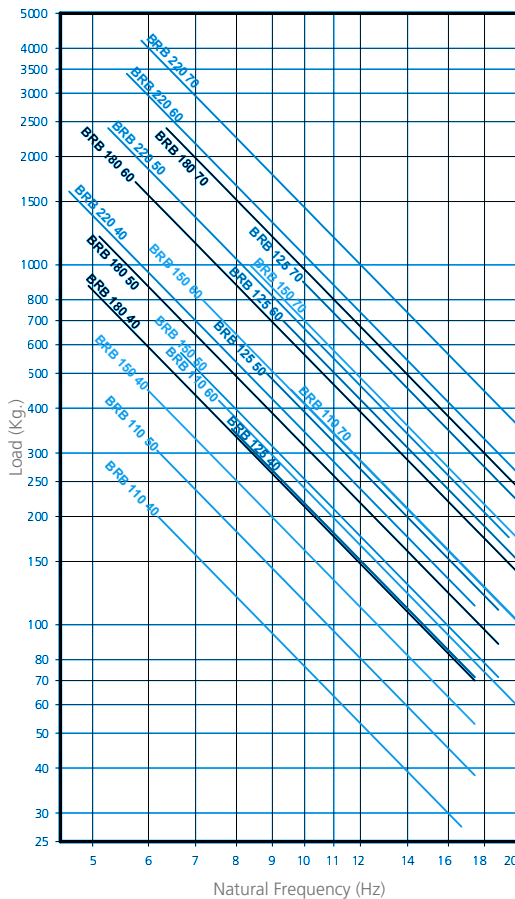
NATURAL FREQUENCY
AMC MECANOCAUCHO® BRB 50-95 TYPE



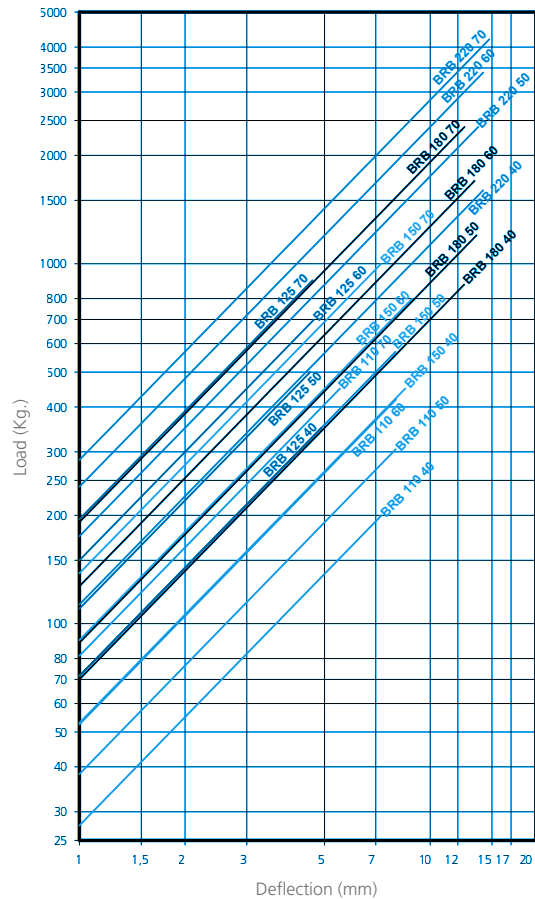
LOAD DEFLECTION GRAPH
AMC MECANOCAUCHO® BRB 50-95 TYPE



NATURAL FREQUENCY
AMC MECANOCAUCHO® BRB 110-220 TYPE



LOAD DEFLECTION GRAPH
AMC MECANOCAUCHO® BRB 110-220 TYPE



* In order to adapt its products to the state of the art, AMC S.A. reserves the right to modify the conception and manufacture of the materials presented in this catalogue without prior notice.

BSB

DESCRIPTION

The BSB type AMC MECANOCAUCHO® mounts are antivibration elements which work the rubber in shear and compression with an optimal ratio of stiffness and horizontal stability. These mounts are really interesting when stability is a priority in an antivibration suspension.

In applications where the degree of isolation is a priority, we must choose the BRB-type range of AMC MECANOCAUCHO® antivibration mounts.

TECHNICAL CHARACTERISTICS

- The top metal hood protects the rubber from the Ozone, UV rays, diesel or oils which may cause major damage to the rubber.
- The metal parts have a suitable anticorrosive treatment for outdoor applications. RoHS compliant.
- They have an interlocking metal component that provides a fail-safe protection for mobile applications. This device limits the ascending vertical movement when the mounting is submitted to shocks at traction.
- The mounts are clearly identified, as the baseplates are engraved with the type and hardness, which makes it possible to easily recognise the part even after several years of use.
- The hood has a cross stamped on the top, which enhances its stiffness on mobile applications and also improves the evacuation of oils or liquids that splash onto it.

APPLICATIONS

In mobile rotating machines that require control of movements and reasonable values of vibrations and noise, such as:

Pumps, Marine-Land auxiliary units, Industrial Vehicles, Compressors, Ventilators...

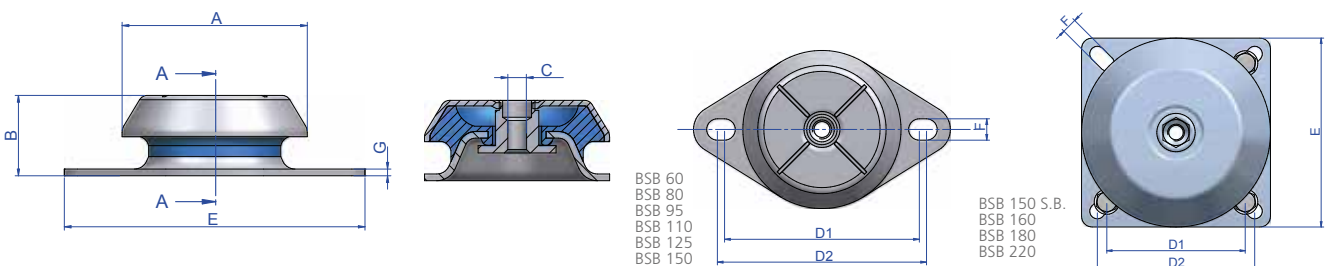
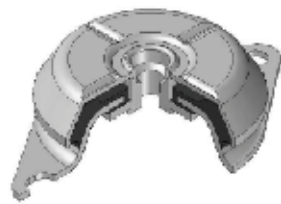
This mount is suitable for the isolation of mobile rotating machines which are exposed to axial and radial shocks, dripping oil or diesel or exposure to the weather.



Type	A (mm)	B (mm)	C (mm)	D1 (Min.)	D2 (Max.)	E (mm)	F (mm)	G (mm)	Weight (gr.)	Code	Load (kg)	Shore
BSB 60	64	34	M-10	76,5	90,5	110	9	2,5	235	135106	70	40 Sh
										135109	130	50 Sh
										135107	170	60 Sh
										135108	245	70 Sh
BSB 80 M10	78	31	M-10	108,2	111,2	130	9,2	3	355	135261	110	40 Sh
										135262	160	50 Sh
										135263	230	60 Sh
										135264	300	70 Sh
BSB 80 M12	78	31	M-12	108,2	111,2	130	9,2	3	351	135265	110	40 Sh
										135266	160	50 Sh
										135267	230	60 Sh
										135268	300	70 Sh
BSB 95 M10	92	34	M-10	122	126,4	150	10	3	488	135311	180	40 Sh
										135312	230	50 Sh
										135313	270	60 Sh
										135314	330	70 Sh
BSB 95 M12	92	34	M-12	122	126,4	150	10	3	488	135315	180	40 Sh
										135316	230	50 Sh
										135317	270	60 Sh
										135318	330	70 Sh
BSB 110 M12	106	37	M-12	137	150	175	13	3	785	135335	250	40 Sh
										135336	350	50 Sh
										135337	450	60 Sh
										135338	550	70 Sh
BSB 110 M16	106	37	M-16	137	150	175	13	3	785	135150	250	40 Sh
										135151	350	50 Sh
										135152	450	60 Sh
										135153	550	70 Sh
BSB 125	123	43	M-16	154	162	190	14	4	1109	135351	450	40 Sh
										135352	550	50 Sh
										135353	690	60 Sh
										135354	900	70 Sh
BSB 150 B.C.	156	49	M-16	125	132	164	14,5	4	2060	135371	750	40 Sh
										135372	950	50 Sh
										135373	1300	60 Sh
										135374	1650	70 Sh
BSB 150	156	49	M-16	176	188	218	14,5	4	1818	135361	750	40 Sh
										135362	950	50 Sh
										135363	1300	60 Sh
										135364	1650	70 Sh
BSB 160	156	57	M-20	140	140	170	14,5	4	2200	135381	900	40 Sh
										135382	1200	50 Sh
										135383	1600	60 Sh
										135384	2300	70 Sh
BSB 180	180	67	M-20	149	163	192	14,5	4	3800	135181	1300	40 Sh
										135184	1750	50 Sh
										135182	2100	60 Sh
										135183	2900	70 Sh
BSB 220	230	105	M-24	180	180	220	19	6	6716	135301	2500	40 Sh
										135302	3200	50 Sh
										135303	4000	60 Sh
										135304	5000	70 Sh

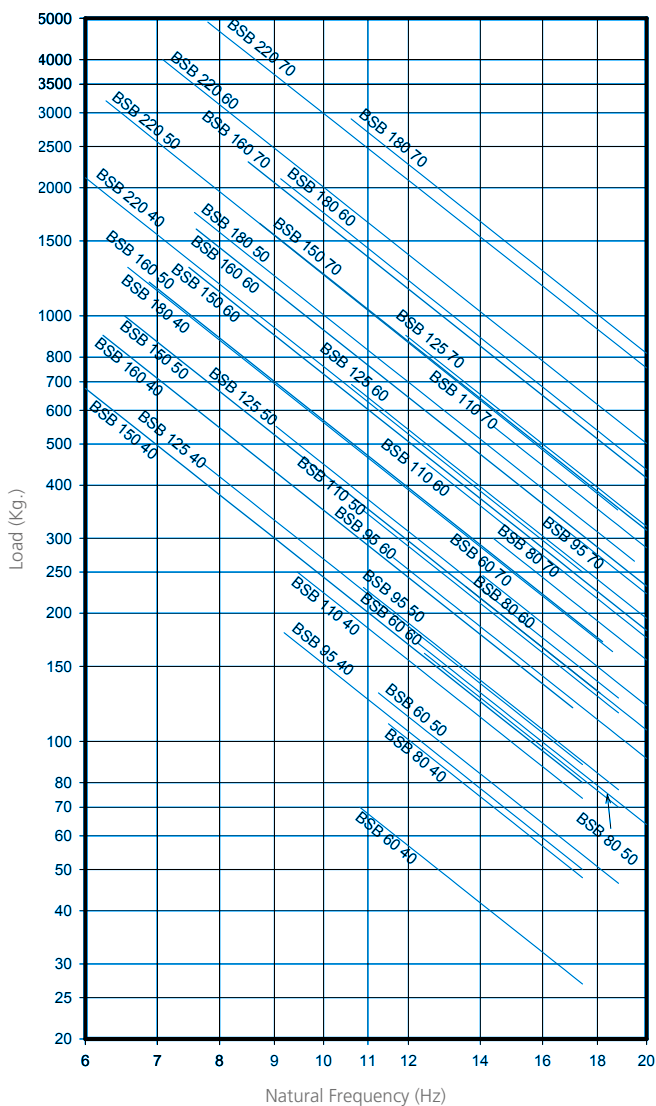
S.B. = Square Base

DNV Marine Type approval

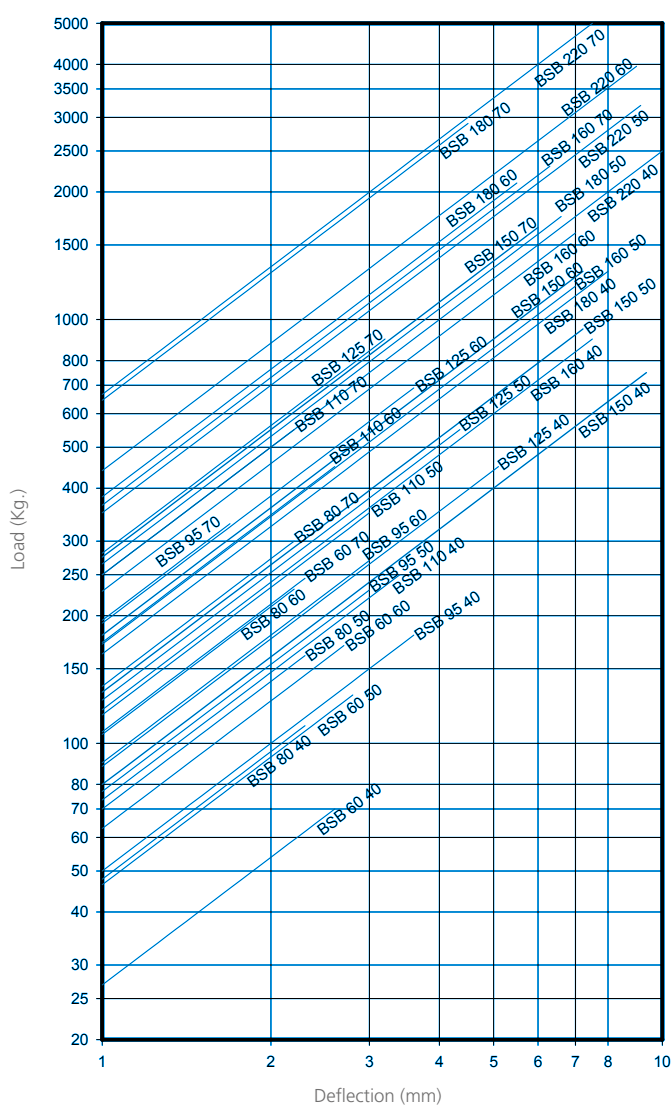




NATURAL FREQUENCY
AMC MECANOCAUCHO® BSB TYPE



LOAD DEFLECTION GRAPH
AMC MECANOCAUCHO® BSB TYPE



* In order to adapt its products to the state of the art, AMC S.A. reserves the right to modify the conception and manufacture of the materials presented in this catalogue without prior notice.

BRT

DESCRIPTION

AMC MECANOCAUCHO® BRT engine mounts are antivibration elements which work the rubber in shear and compression with an optimal ratio of stiffness and horizontal stability. These engine mounts are really applicable as stabilizers of electrical cabinets or racks. Thanks to the robust fail safe architecture it is useful in applications where the box type assembly is submitted to shocks.

TECHNICAL CHARACTERISTICS

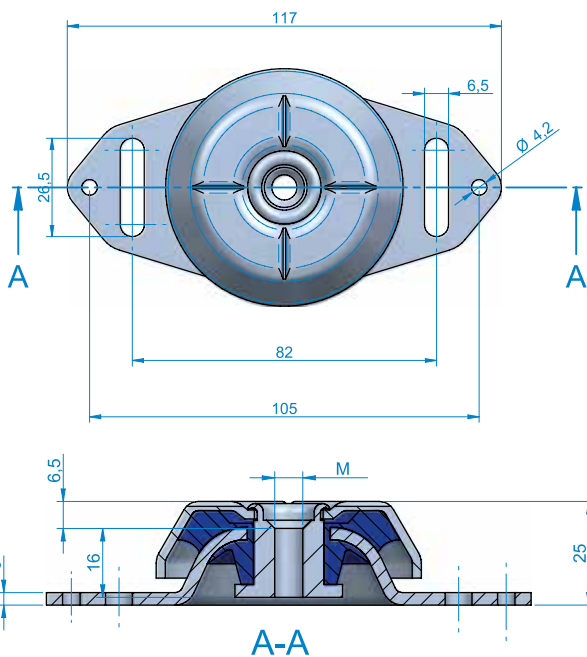
- The top metal hood protects the rubber from the Ozone, UV rays, diesel or oils which may cause major damage to the rubber.
- The metal parts have a suitable anticorrosive treatment for outdoor applications. RoHs compliant.
- They have an interlocking metal component that provides a fail-safe protection for mobile applications. This device limits vertical movement when the mounting is submitted to shock inputs.
- The mounts are clearly identified, as the baseplates are engraved with the type and hardness, which makes it possible to easily recognise the part even after several years of use.
- The hood has a cross stamped on the top, which enhances its stiffness on mobile applications and also improves the evacuation of oils or liquids that splash onto it.

APPLICATIONS

This mount is suitable for mobile boxes or racks that require greater control of movement due to axial and radial shock inputs providing reasonable values of vibration and noise attenuation, such as:

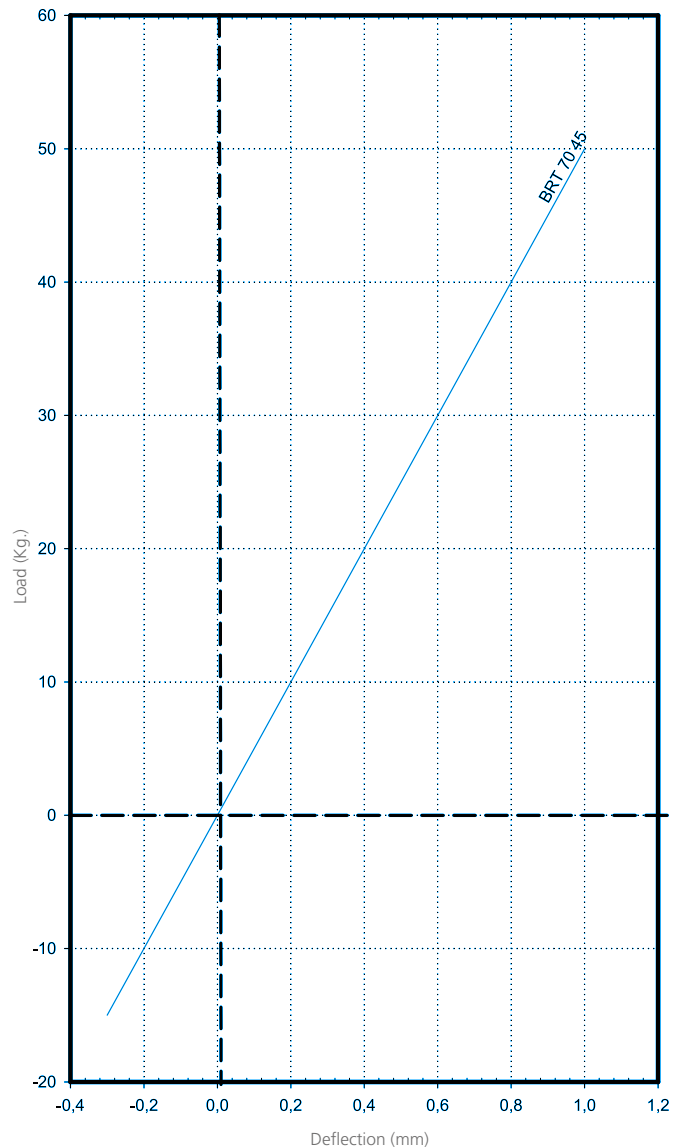
Electrical cabinets, Pumps, Marine-Land auxiliary units, Industrial Vehicles, Compressors, Ventilators...

This mount is suitable for the isolation of mobile rotating machines which are exposed to axial and radial shocks, dripping oil or diesel or exposure to weathering.



Type	Shore	Static Load max. daN	Dynamic Load max. daN	Code	M
BRT 70	45 Sh	50	150	135805	M-6
				135806	M-8
				135807	M-10

LOAD DEFLECTION GRAPH
AMC MECANOCAUCHO® BRT TYPE





MARINE MOUNTS

DESCRIPTION

The Marine-type AMC MECANOCAUCHO® mounts are ideal for mobile applications thanks to their rugged architecture.

Their special design offers different stiffnesses on the three axes, they are antivibration mounts with great vertical elasticity, great longitudinal stiffness and optimal lateral stiffness to offer extra isolation on this axis.

TECHNICAL CHARACTERISTICS

- The top part of the hood has a cross-shaped stamp, which improves its stiffness in mobile applications and also improves the evacuation of oils or liquid which splash onto it.
- The metal parts have an anticorrosive treatment which is suitable for outdoor applications. RoHs compliant.
- The mounts are clearly identified, as the bases are engraved with the type and hardness.
- They have an interlocking metal component that provides a fail-safe protection for mobile applications. This device limits the ascending vertical movement when the mounting is submitted to shocks at traction.
- The top part protects the elastomer inside from possible dripping oil, diesel, ozone and ultraviolet emissions that may cause major damage to the rubber.
- The different stiffnesses for each axis make it possible to offer major flexibility in the direction perpendicular to the crankshaft/shaft of the motor. This provides more effective isolation from vibrations of all types of engines.
- For marine engine applications, contact the AMC-MECANOCAUCHO® technical department.

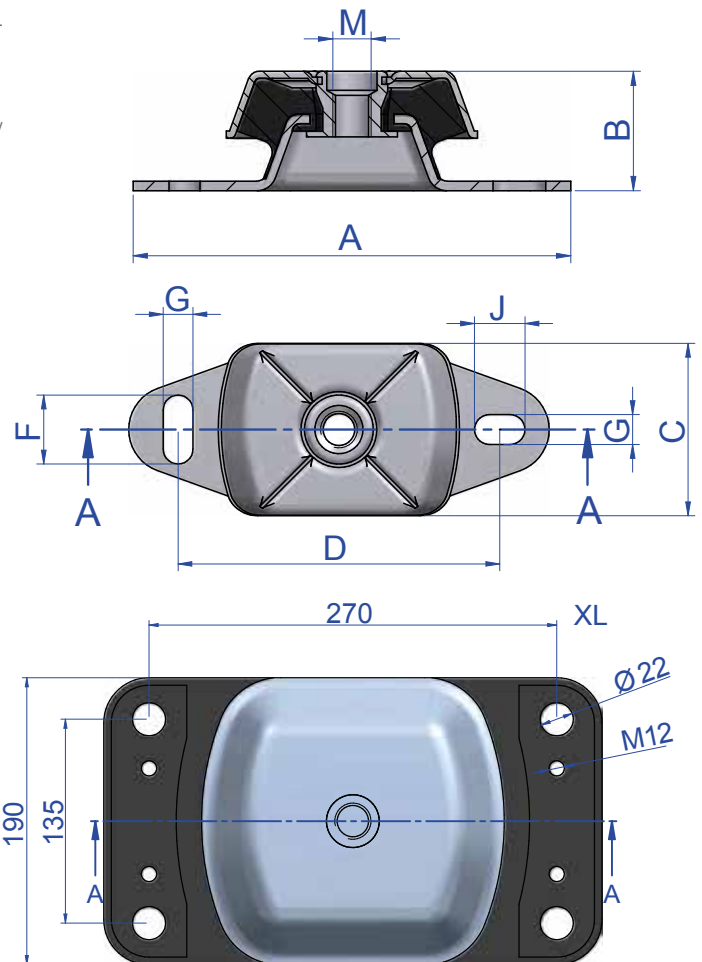
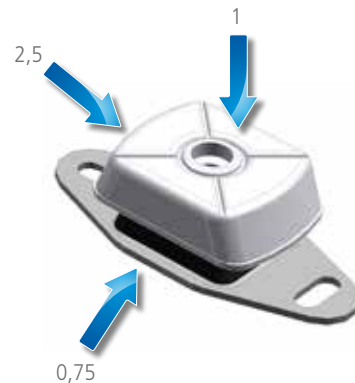
APPLICATIONS

In mobile rotating machines that need a major isolation capacity from vibrations and noises, such as:

- Pumps
- Marine-Land units
- Mobile electrical panels
- Industrial vehicles
- Compressors
- Ventilators
- Marine Propellers



Stiffness rates per axis.



Drawing Marine XL

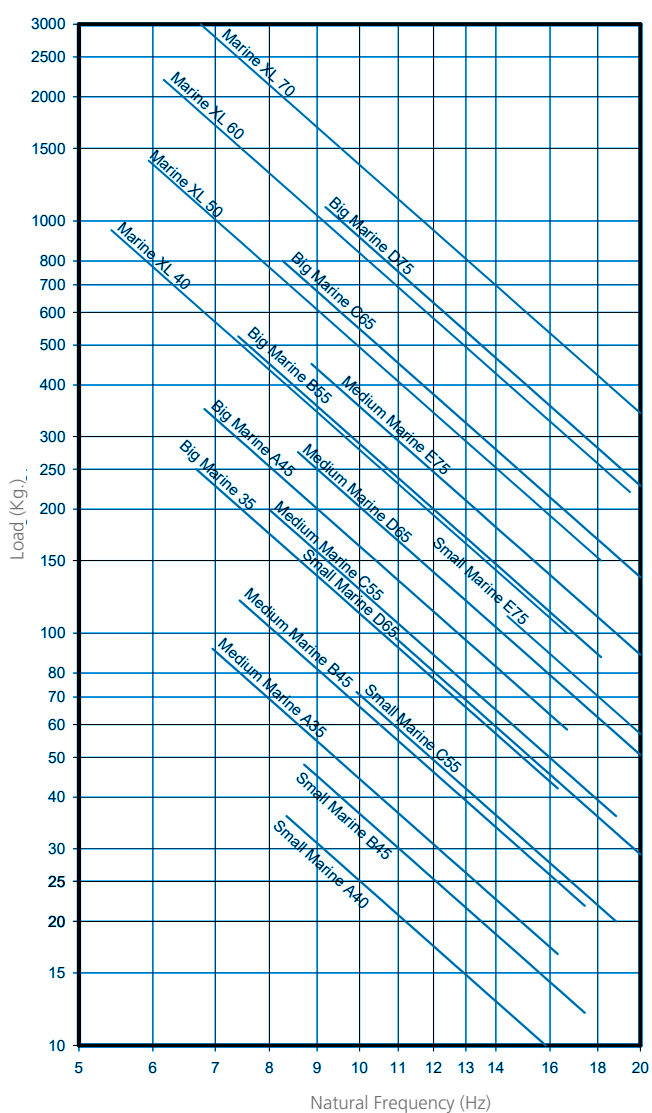
DNV Marine Type approval



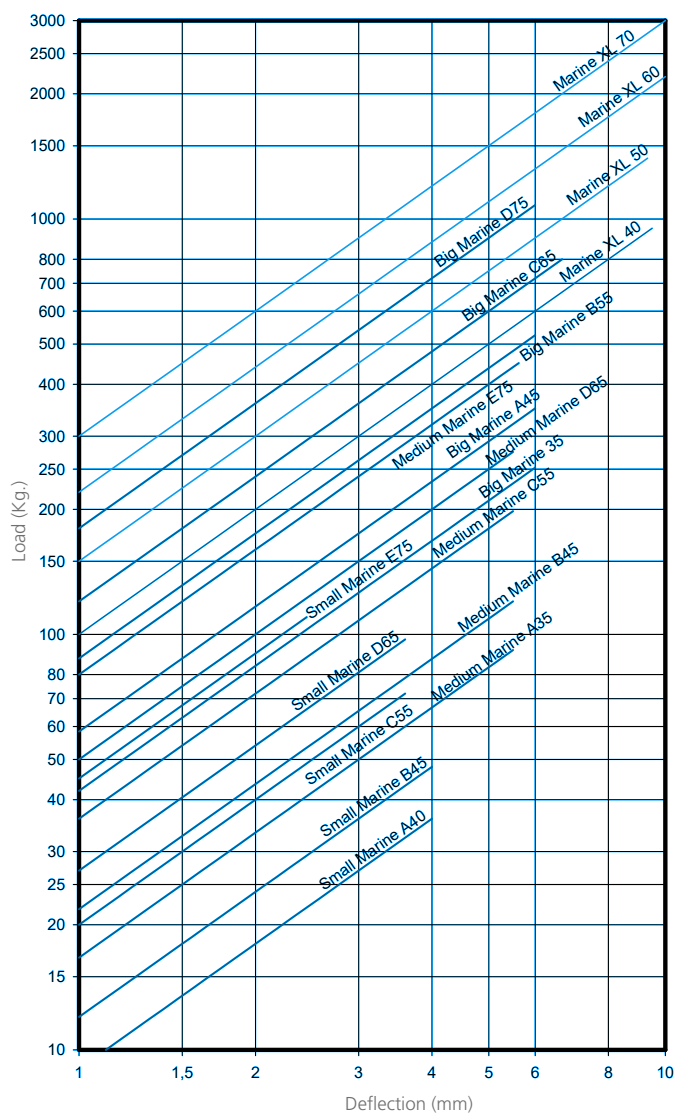
MARINE TYPE MOUNT

Type	A (mm)	B (mm)	C (mm)	D (mm)	F (mm)	G (mm)	J (mm)	M	Weight (gr.)	Code	Load (kg)	Shore
SMALL	120	40	60	100	14	11	11	M12	397	136001	35	40 Sh
										136002	45	45 Sh
										136003	70	55 Sh
										136004	95	65 Sh
										136005	110	75 Sh
MEDIUM	184	50	75	140	30	13	22	M16	857	136021	95	35 Sh
										136022	120	45 Sh
										136023	220	55 Sh
										136024	280	65 Sh
										136025	400	75 Sh
LARGE	228	68	112	182	34	18	26	M20	2250	136041	350	45 Sh
										136042	525	55 Sh
										136043	800	65 Sh
										136044	1080	75 Sh
XL	330	112	190	270	22	22	22	M24	9600	136061	950	40 Sh
										136062	1400	50 Sh
										136063	2200	60 Sh
										136064	3000	70 Sh

NATURAL FREQUENCY
AMC MECANOCAUCHO® DYNAMIC MARINE MOUNT



LOAD DEFLECTION GRAPH
AMC MECANOCAUCHO® MARINE TYPE MOUNT



* In order to adapt its products to the state of the art, AMC S.A. reserves the right to modify the conception and manufacture of the materials presented in this catalogue without prior notice.

MARINE MOUNT TYPE XD

DESCRIPTION

The XD Marine type AMC-MECANOCAUCHO® mounts are ideal for mobile applications where a higher degree of isolation is required.

Its specific design allows lower vertical and radial stiffness rates. This feature is particularly useful on those applications where a high vibration isolation rate is required even if the machine runs at low idle speeds. The metal parts are robust and incorporate a fail-safe device in order to resist traction forces.

TECHNICAL CHARACTERISTICS

- The cast aluminum bell has been designed to withstand to great dynamic shocks while the rubber compound is guided in order to avoid relative displacements.
- The rubberized baseplate and the aluminum top cap provide a higher resistance to marine corrosive environments, improving the performance of traditional marine antivibration mounts.
- The mounts have a clear identification of rubber hardness on the baseplate.
- The rubber compound is protected against oil contamination, O3 and UV rays.
- The failsafe device avoids rubber working at traction and limits the vertical ascendant movement.
- The different stiffness rates per axis, allow low roll natural frequencies of the system. This feature provides a higher vibration isolation degree on engines. The fact of having a lower vertical stiffness perfectly suits 3 cylinder engines working at low idle speeds.
- The higher longitudinal stiffness allows the mount to withstand thrust forces. This feature provides stability and reduces longitudinal movements of the engine. For marine application installations, please contact the technical department of AMC-MECANOCAUCHO®.
- Maximum leveling: 3 mm. For further leveling, we recommend to use shims.

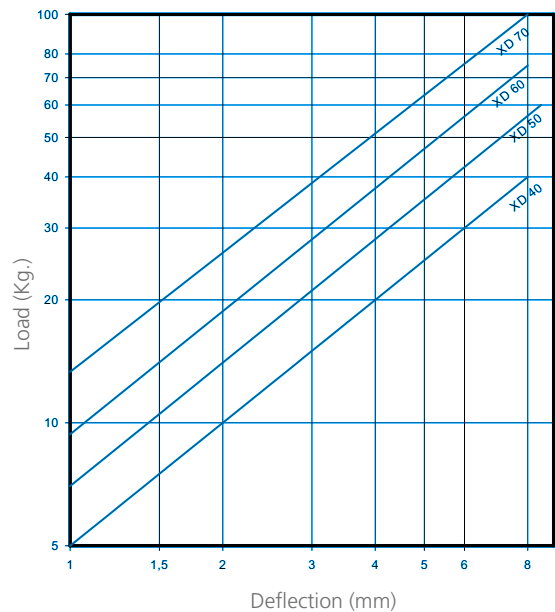
APPLICATIONS

The type XD AMC-MECANOCAUCHO® mount is used on mobile applications that require higher degree of vibration isolation, such as:

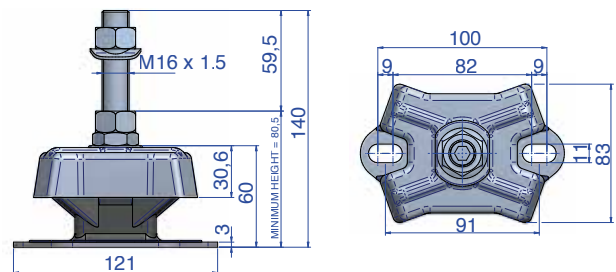
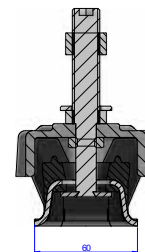
- Marine engines
- Gensets
- Industrial engines
- Pumps
- Electrical panels
- Industrial vehicles
- Compressors
- Fans



LOAD DEFLECTION GRAPH
AMC MECANOCAUCHO® MARINE MOUNT TYPE XD



SECTION A-A



Example of installation on a 3cyl engine

Type	Weight (gr.)	Code	Shore	LOAD kg MAX
MARINE MOUNT type XD	655	136151	40 Sh	40
		136152	50 Sh	60
		136153	60 Sh	75
		136154	70 Sh	100

FZ+SYLOMER® MOUNTS

DESCRIPTION

The AMC MECANOCAUCHO® FZ mounts use high resiliency Sylomer® polyurethane compounds. The internal architecture of the mount is composed of two metal parts surrounded by the elastic compound. The exterior metallic armor incorporates 4 holes for the fixation of the mount to the frame. The interior metal part consists of a machined metal ring that transfers the traction and compression loads to the elastomer. This machined metal ring has a wider diameter than the exterior metal armor acting as a failsafe device.

TECHNICAL CHARACTERISTICS

- The AMC-MECANOCAUCHO FZ mounts incorporate an interlocking metal component that provide a fail-safe protection for mobile applications. This device limits the ascending vertical movement when the mounting is submitted to shocks at traction.
- The thickness of the metal parts are robust and are suitable for off-road applications. The metal parts have a suitable anticorrosive treatment for outdoor applications.
- The Sylomer® polyurethane compound is oil resistant and the temperature range of the FZ mounts is -30°C to +70°C.

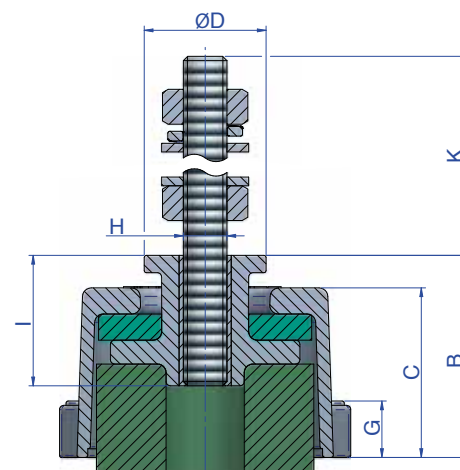
APPLICATIONS

The AMC MECANOCAUCHO® FZ mounts have been primarily designed for static applications.

They are often used for the isolation of sensitive equipment embarqued on vehicles submitted to shocks.



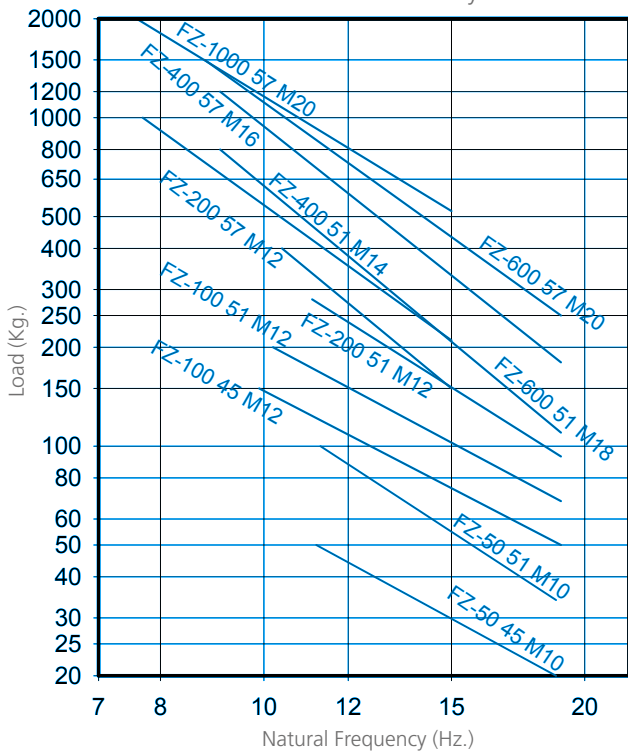
Example of installation on a HVAC equipment



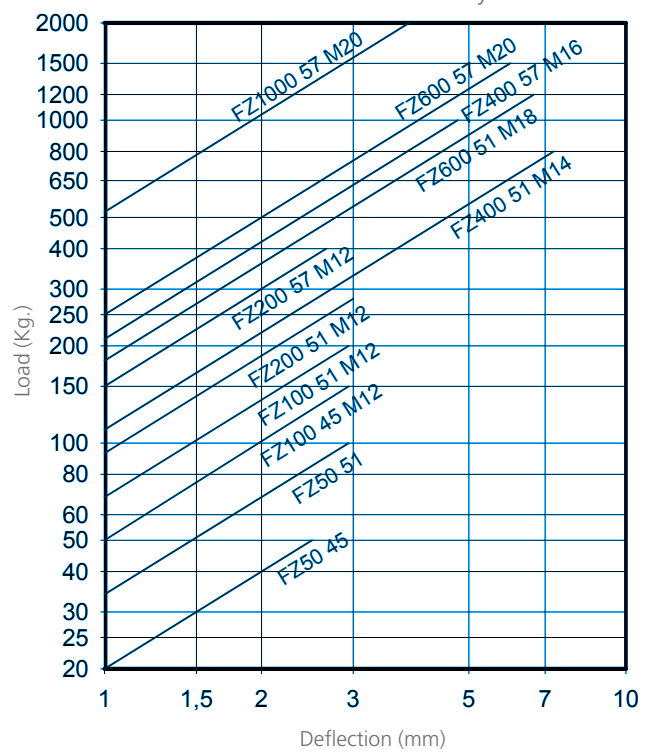
A-A SECTION

Type	A (mm)	B (mm)	C (mm)	D (mm)	E (mm)	F (mm)	G (mm)	H (mm)	I (mm)	K (mm)	Load (kg)	Weight (gr.)	Code
FZ-50-27-M10 + LEV KIT	67	46.5	39	28	6.5	52	13	10	26	60	15	311	176293
FZ-50-33-M10 + LEV KIT	67	46.5	39	28	6.5	52	13	10	26	60	25	311	176295
FZ-50-39-M10 + LEV KIT	67	46.5	39	28	6.5	52	13	10	26	60	45	311	176297
FZ-50-45-M10 + LEV KIT	67	46.5	39	28	6.5	52	13	10	26	60	50	311	176281
FZ-50-51-M10 + LEV KIT	67	46.5	39	28	6.5	52	13	10	26	60	50-100	311	176291
FZ-100-45-M12 + LEV KIT	80	56	48	25	6.5	67	13	12	27,5	60	100-150	464	176299
FZ-100-51-M12 + LEV KIT	80	56	48	25	6,5	67	13	12	27,5	60	150-200	464	176301
FZ-200-51-M12 + LEV KIT	109	72	55	40	8,5	90	15	12	27,5	60	170-280	978	176311
FZ-200-57-M12 + LEV KIT	109	72	55	40	8,5	90	15	12	27,5	60	280-400	978	176321
FZ-200-57-M14 + LEV KIT	109	72	55	40	8,5	90	15	14	27,5	60	280-400	978	176323
FZ-400-51-M14 + LEV KIT	155	94	80	65	12,5	125	22	14	27,5	60	460-800	2461	176331
FZ-400-57-M16 + LEV KIT	155	94	80	65	12,5	125	22	16	27,5	60	800-1000	2461	176341
FZ-600-51-M18 + LEV KIT	175	94	80	65	14	140	23	18	28	60	1000-1200	3077	176351
FZ-600-57-M20 + LEV KIT	175	94	80	65	14	140	23	20	28	60	1200-1500	3077	176361
FZ-1000-57-M20 + LEV KIT	205	95	80	65	16	162	28	20	28	60	1500-2000	3751	176371
FZ-50-27-M10	67	46.5	39	28	6.5	52	13	10	26	-	15	260	176294
FZ-50-33-M10	67	46.5	39	28	6.5	52	13	10	26	-	25	260	176296
FZ-50-39-M10	67	46.5	39	28	6.5	52	13	10	26	-	45	260	176298
FZ-50-45-M10	67	46.5	39	28	6.5	52	13	10	26	-	50	260	176282
FZ-50-51-M10	67	46.5	39	28	6.5	52	13	10	26	-	50-100	260	176292
FZ-100-45-M12	80	56	48	25	6.5	67	13	12	27,5	-	100-150	380	176300
FZ-100-51-M12	80	56	48	25	6,5	67	13	12	27,5	-	150-200	380	176302
FZ-200-51-M12	109	72	55	40	8,5	90	15	12	27,5	-	170-280	868	176312
FZ-200-57-M12	109	72	55	40	8,5	90	15	12	27,5	-	280-400	868	176322
FZ-200-57-M14	109	72	55	40	8,5	90	15	14	27,5	-	280-400	868	176324
FZ-400-51-M14	155	94	80	65	12,5	125	22	14	27,5	-	460-800	2253	176332
FZ-400-57-M16	155	94	80	65	12,5	125	22	16	27,5	-	800-1000	2253	176342
FZ-600-51-M18	175	94	80	65	14	140	23	18	28	-	1000-1200	2756	176352
FZ-600-57-M20	175	94	80	65	14	140	23	20	28	-	1200-1500	2756	176362
FZ-1000-57-M20	205	95	80	65	16	162	28	20	28	-	1500-2000	3348	176372

NATURAL FREQUENCY
AMC MECANOCAUCHO® FZ + Sylomer®



LOAD DEFLECTION GRAPH
AMC MECANOCAUCHO® FZ + Sylomer®



FZM

DESCRIPTION

The AMC-MECANOCAUCHO® type FZM mounts are ideal for mobile applications where high temperatures upto 300° C are present.

Its specific design allows very similar traction and compression stiffness rates. This feature is particularly useful on those applications where vibration in the vertical sense is predominant. The metal parts are robust and incorporate a fail-safe device in order to resist traction forces.

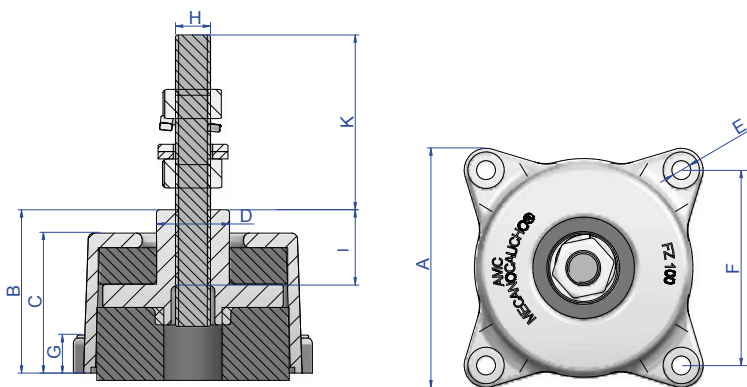
TECHNICAL CHARACTERISTICS

The cast aluminum bell has been designed to withstand to great dynamic shocks while the stainless steel wire fits tight to avoid relative displacements.

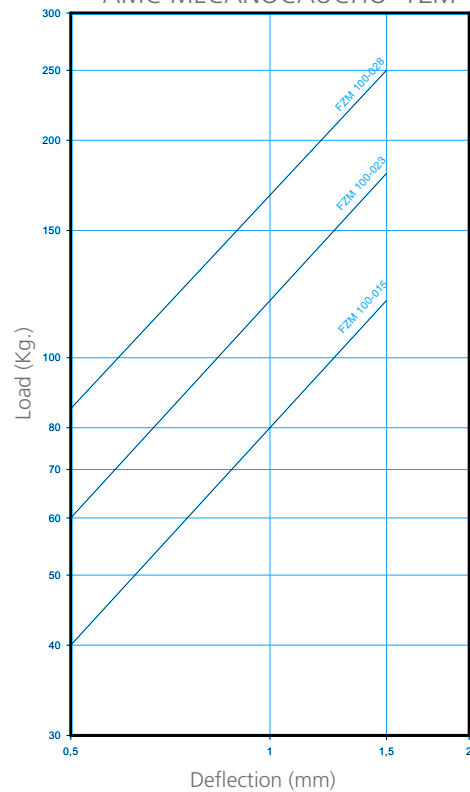
The stainless steel wire mesh and the aluminum top cap provide a higher resistance to marine corrosive environments, improving the performance of traditional marine antivibration mounts. The fail-safe device limits the vertical ascendant movement. The damping properties of the stainless steel wire mesh allows low amplification to resonance allowing stable suspended elements.

APPLICATIONS

The AMC-MECANOCAUCHO® type FZM metallic mount is used for applications exposed to high temperatures or mobile applications, for example mounting on board equipment in ships, rail, road transport such as engines, pumps, generator sets or pipe work or exhaust.



LOAD DEFLECTION GRAPH
AMC MECANOCAUCHO® FZM



Type	A (mm)	B (mm)	C (mm)	D (mm)	E (mm)	F (mm)	G (mm)	H (mm)	I (mm)	K (mm)	Load (kg)	Weight (gr.)	Code
FZM 100-015 + KIT M12	80	56	48	25	6.5	67	13	12	40	60	120	842	176622
FZM 100-023 + KIT M12	80	56	48	25	6.5	67	13	12	40	60	180	842	176628
FZM 100-028 + KIT M12	80	56	48	25	6.5	67	13	12	40	60	250	842	176634
FZM 100-015	80	56	48	25	6.5	67	13	12	40	-	120	761	176621
FZM 100-023	80	56	48	25	6.5	67	13	12	40	-	180	761	176627
FZM 100-028	80	56	48	25	6.5	67	13	12	40	-	250	761	176633

* In order to adapt its products to the state of the art, AMC S.A. reserves the right to modify the conception and manufacture of the materials presented in this catalogue without prior notice.

HYDRAULIC MOUNTS

DESCRIPTION

The AMC MECANOCAUCHO® Hydraulic mounts combine a spring and a hydraulic damper in a single compact unit that allows tuning of the spring and damper independently.

This provides flexibility in matching the dynamic characteristics of the isolator to the requirements of the application.

The internal architecture of the mount is composed of a new system that bonds the rubber to the metal parts in order to eliminate any leakage of the dampening fluid when the mount is submitted to high magnitude shocks.

For good isolation, low damping is required. For motion control, high dampening is required. The MECANOCAUCHO® hydraulic mounts accommodate these conflicting requirements. The fluid cavity is divided into two chambers with an orifice in between, so that motion of the elastomeric element causes fluid to flow from one chamber to the other, dissipating energy and thus creating damping in the system.

These mounts are particularly interesting for those installations that require a soft isolator for good isolation but still require motion control under transient (shock) inputs or when operating close to the isolation system's resonant frequency.

TECHNICAL CHARACTERISTICS

- The AMC MECANOCAUCHO® Hydraulic mounts have an interlocking metal component that provides a fail-safe protection for mobile applications. This device limits the ascending vertical movement when the mounting is submitted to shocks at traction.
- The thickness of the metal parts make this mount robust and suitable for off-road applications. The metal parts have a suitable anticorrosive treatment for outdoor applications. RoHS compliant.

APPLICATIONS

The AMC MECANOCAUCHO® Hydraulic mounts have been primarily designed as engine and operator cab isolator in vehicular off highway and agricultural applications.

It is particularly interesting for those engines that operate on a variable rotating speed that must pass the natural frequency of the system during its normal functioning. Examples of this may be engines of 1,2,3 or 4 cylinders used on construction or agricultural equipment.

It is also interesting for cabins where vibration isolation is required for operator comfort purposes but as well stability when the cabin is submitted to transient shocks.



Picture of an engine application.



For the installation look on the Page 31 OPERATION AND ASSEMBLY.



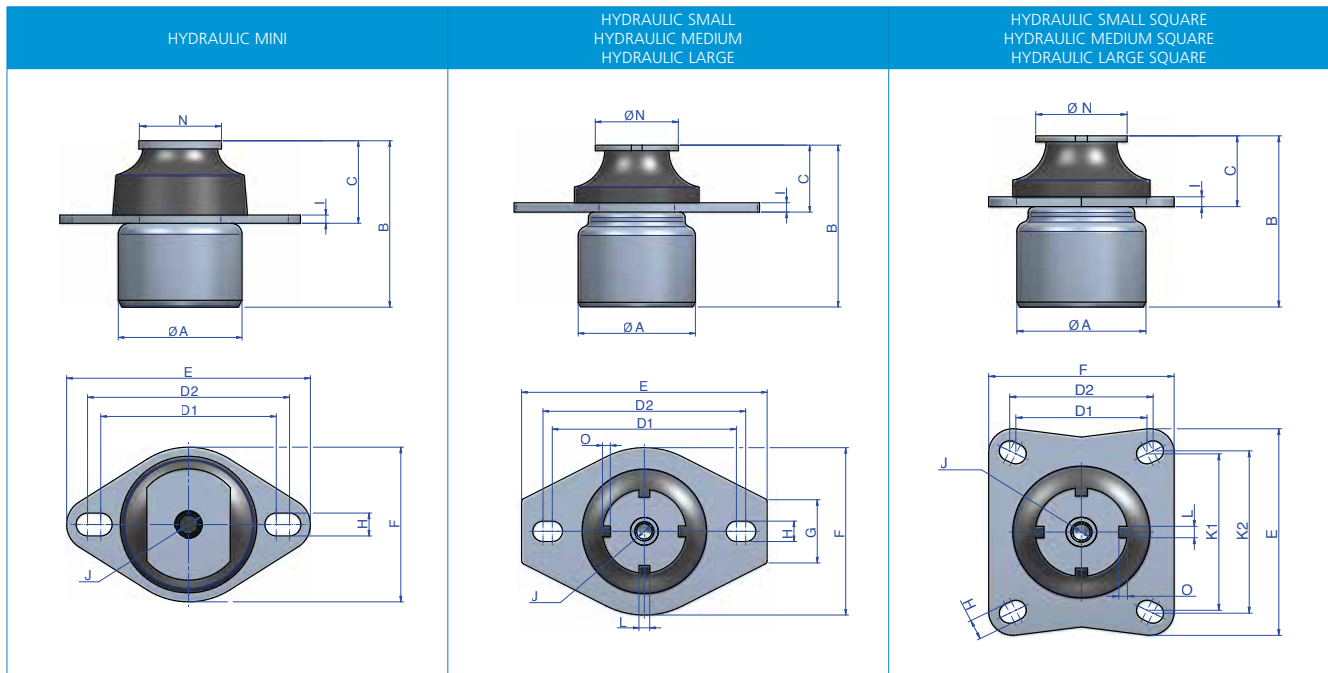
Picture of vibration measurements tests.



Picture of an engine application.



Picture a cabine application.

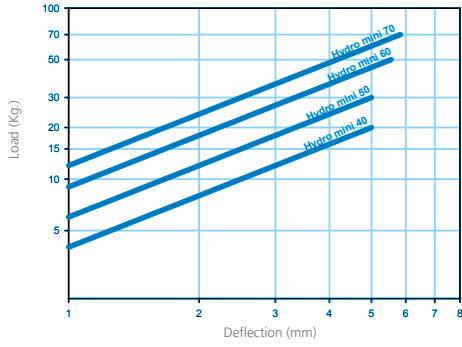


Type	A (mm)	B (mm)	C (mm)	D1 (Min.)	D2 (Max.)	K1 (Min.)	K2 (Max.)	E (mm)	F (mm)	G (mm)	H (mm)	I (mm)	J (mm)	L (mm)	N (mm)	O (mm)	Weight (gr.)	Code	Shore	Max. Load (kg)
MINI	45	60	30	63	72,5	-	-	88	55,5	-	8,2	3	M10	-	30	-	335	177031	40 Sh	20
																		177032	50 Sh	30
																		177033	60 Sh	50
																		177034	70 Sh	70
SMALL	63	86	36	99	109	-	-	132	90	34	11	5	M10	5,8	45	4,2	917	177001	40 Sh	60
																		177002	50 Sh	100
																		177003	60 Sh	145
																		177013	70 Sh	180
SMALL RECT.	63	86	36	64	70	79,5	82,5	105	90,5	-	10,2	5	M10	5,8	45	4,2	938	177015	40 Sh	60
																		177016	50 Sh	100
																		177017	60 Sh	145
																		177018	70 Sh	180
MEDIUM	63	96	45	99	109	-	-	132	90	34	11	5	M12	6	60	4,2	1030	177004	40 Sh	100
																		177005	50 Sh	150
																		177006	60 Sh	200
																		177011	70 Sh	250
MEDIUM RECT.	63	96	45	64	70	79,5	82,5	105	90,5	-	10,2	5	M12	6	60	4,2	1050	177022	40 Sh	100
																		177021	50 Sh	150
																		177023	60 Sh	200
																		177024	70 Sh	250
MEDIUM HS 2	63	96	45	99	109	-	-	132	90	34	11	5	M12	6	75	4,2	1030	177045	40 Sh	125
																		177046	50 Sh	180
																		177047	60 Sh	250
																		177048	70 Sh	300
MEDIUM HS 4	63	96	45	64	70	79,5	82,5	105	90,5	-	10,2	5	M12	6	75	4,2	1050	177035	40 Sh	125
																		177036	50 Sh	180
																		177037	60 Sh	250
																		177038	70 Sh	300
LARGE	90	115	53	130	145	-	-	175	108	-	12	8	M20	8,2	80	3,3	2445	177007	40 Sh	235
																		177008	50 Sh	295
																		177009	60 Sh	345
																		177014	70 Sh	410
LARGE RECT.	90	115	53	110	110	110	110	130	130	-	12	8	M20	8,2	80	3,3	2713	177041	40 Sh	235
																		177042	50 Sh	295
																		177043	60 Sh	345
																		177044	70 Sh	410

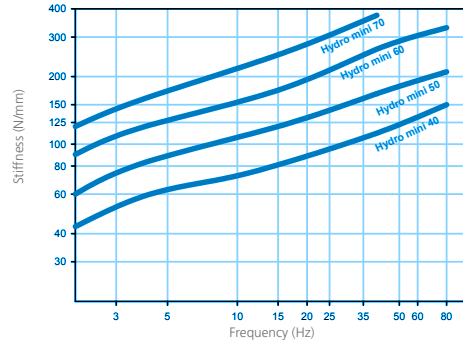
* In order to adapt its products to the state of the art, AMC S.A. reserves the right to modify the conception and manufacture of the materials presented in this catalogue without prior notice.

MINI

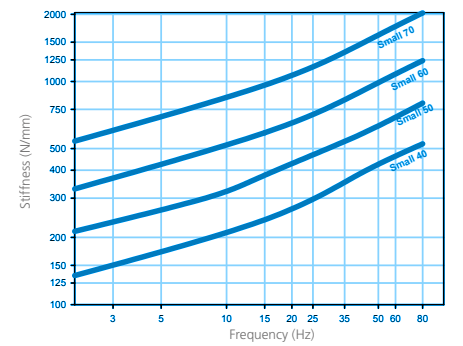
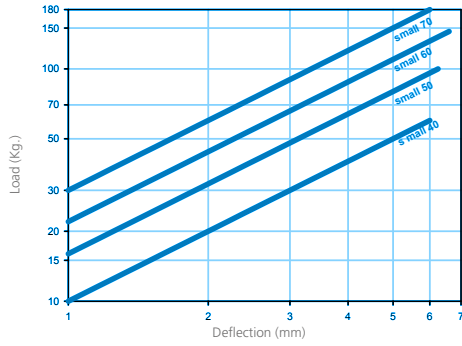
LOAD DEFLECTION



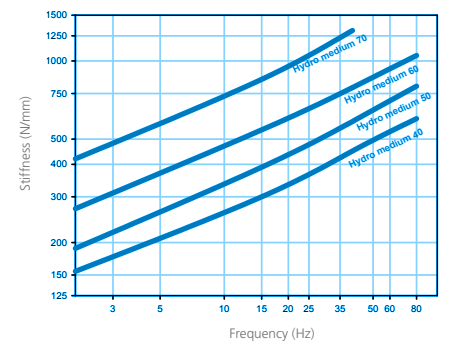
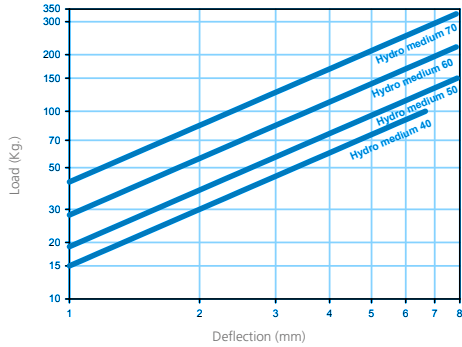
DYNAMIC STIFFNESS



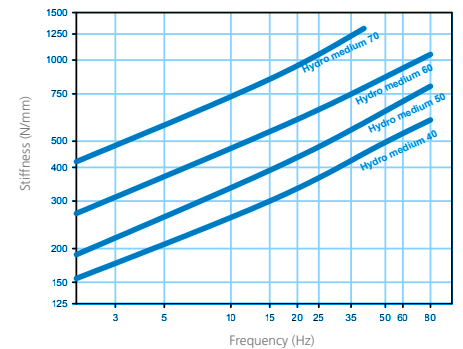
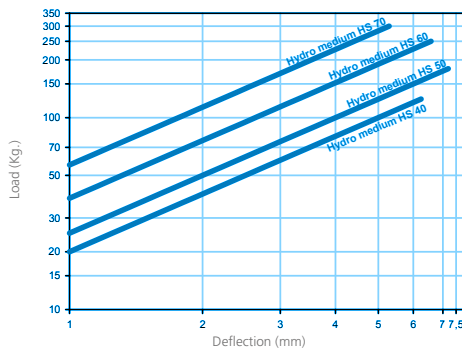
SMALL



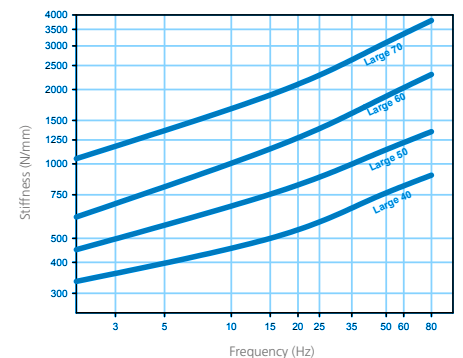
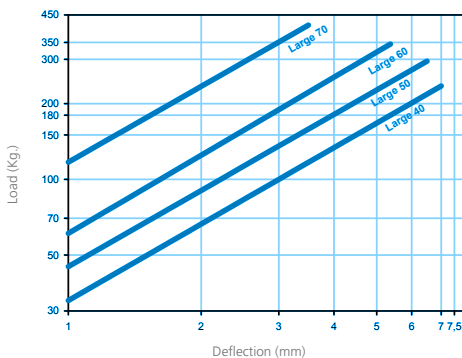
MEDIUM



MEDIUM HS

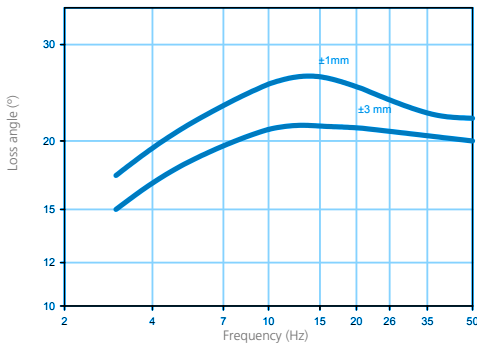


LARGE

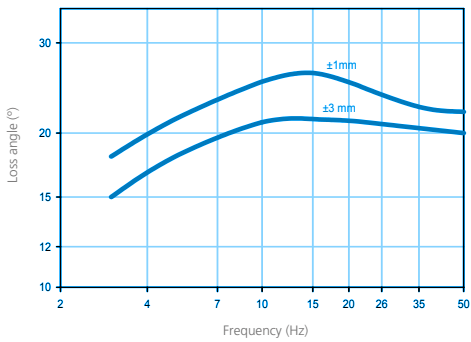


DAMPING COEFFICIENT

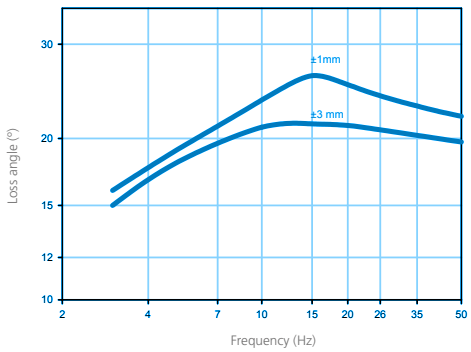
MINI



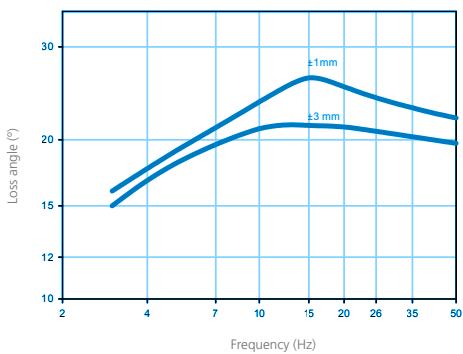
SMALL



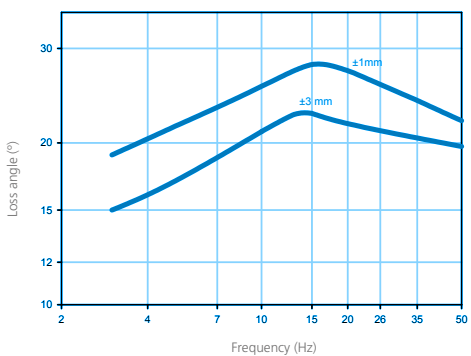
MEDIUM



MEDIUM HS



LARGE



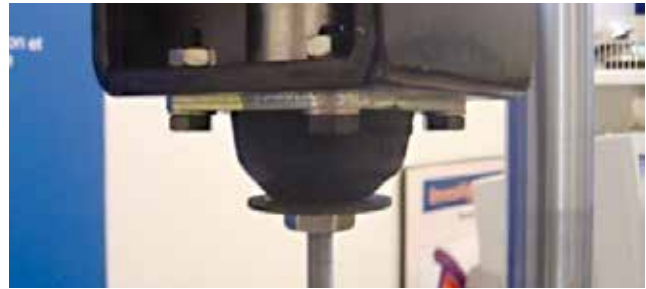
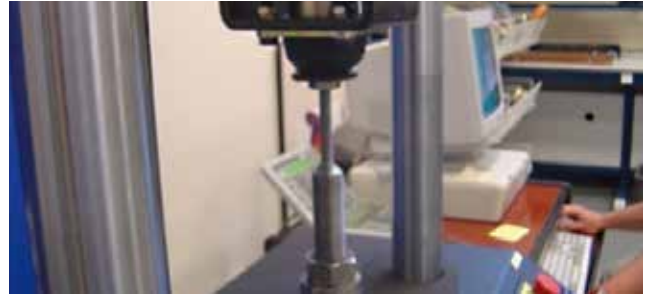
OPERATION AND ASSEMBLY

A hook wrench should be used in the slots to avoid the rotation movement of the rubber.

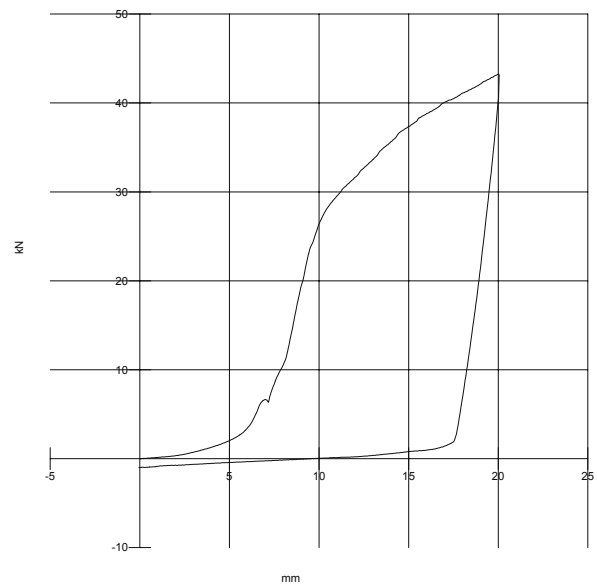
TECHNICAL ADVICE FOR FOPS ROPS APPROVAL

AMC-MECANOCAUCHO's technical department will be pleased to offer you advice on correct installation procedures to achieve FOPS/ ROPS tests approvals.

These pictures show a typical traction test on rectangular hydraulic medium mount subjected to loads up to 4 Tonnes without destruction of the part. For more information on this topic, please contact our technical department.



TRACTION TEST (Hydraulic medium square)



HYDRAULIC CONES

DESCRIPTION

The AMC-MECANOCAUCHO® hydrocone is a combination of a spring component and a hydraulic shock absorber in the shape of a cone. With this both components can be tuned to each other.

For good vibration insulation you need a low dampening coefficient but for movement control you need a high dampening coefficient.

The AMC MECANOCAUCHO® hydrocone combines these two completely different requirements in one single bearing.

This gives you the opportunity to adapt the dynamic properties of the insulator to the individual requirements of the application.

Our vibration dampeners do this by the hydraulic fluid flowing from one chamber to the next as a result of the movement of the rubber component. An energetic dissipation results from this process.

TECHNICAL CHARACTERISTICS

- AMC-MECANO-CAUCHO® hydraulic shock absorbers have an advanced breakaway device inside the bearing that prevents tensile forces on the elastomer by limiting its upward vibration stroke. The newly-developed internal structure of the vibration dampener consists of a metal part system. The elastomer is vulcanised to the whole of this. This prevents a loss of hydraulic fluid should the vibration dampener be subject to great dynamic overloads.
- The thickness of the metal parts ensures that the damper is strong enough for mobile applications. The metal parts are treated with a resistant corrosion protection for outdoor use.

APPLICATIONS

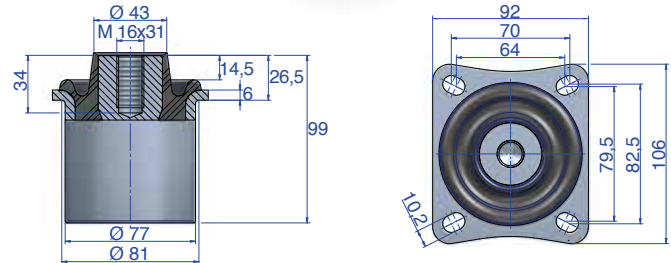
The AMC MECANOCAUCHO® hydrocone is predominantly designed to insulate the vibration in engines and cabs in off-road vehicles (construction, agricultural and local authority vehicles).

The hydrocone has the necessary resilience to achieve a high level of decoupling. However, it also has the necessary stability for these applications in the event of impacts which thus prevents the vehicles from rocking. This ensures a high level of comfort as well as an immediate working and driving experience.

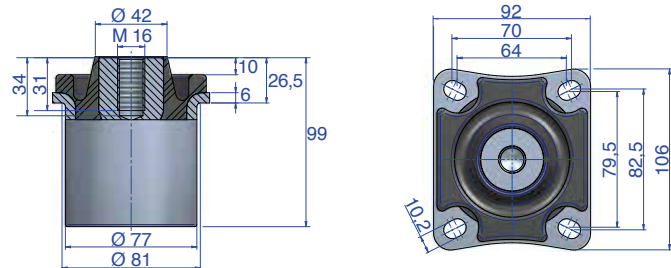
Another advantage becomes apparent with variable speed applications which are within the resonance frequency range in normal operation. This resonance is significantly reduced with the hydrocone.



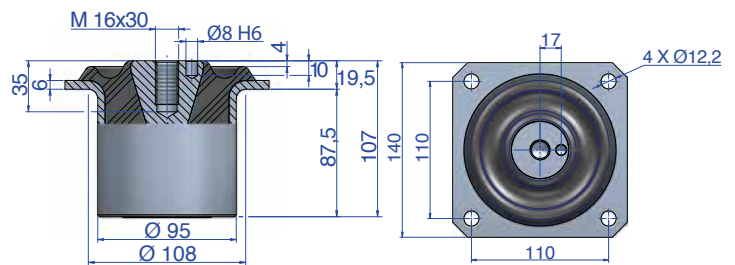
HYDRAULIC CONE 31



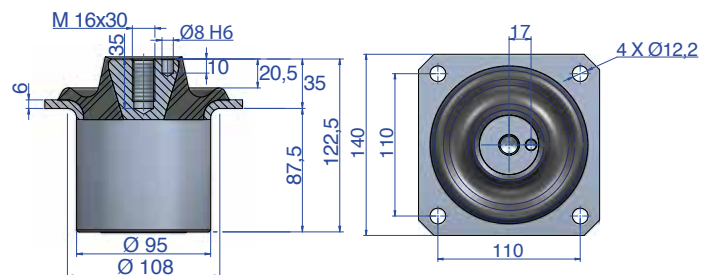
HYDRAULIC CONE 32



HYDRAULIC CONE 70



HYDRAULIC CONE 71



Washers should be used, if the rubber surface is not covered with the contact surface.
Washers upon request.

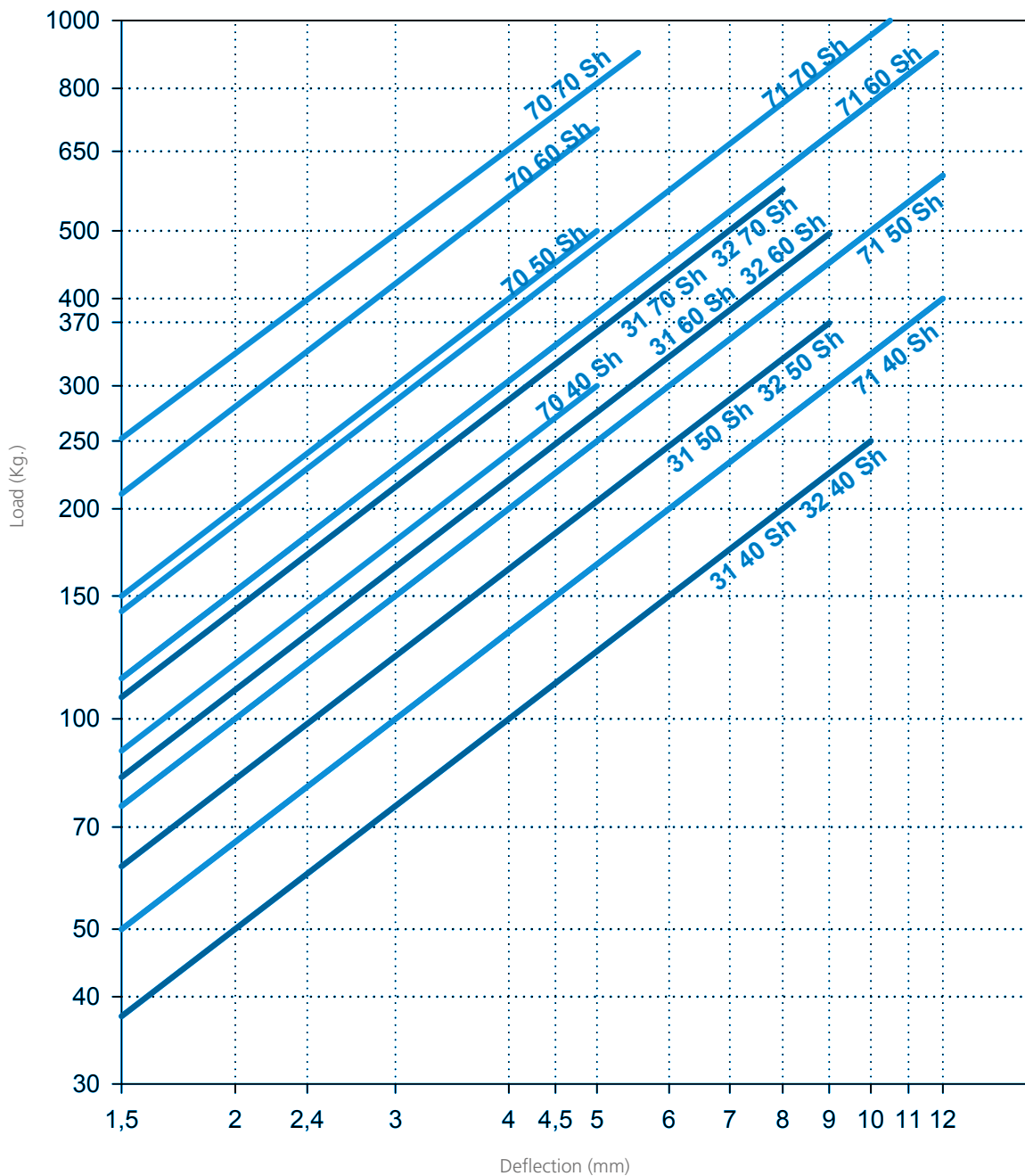
Type	Weight (gr.)	Code	Load (kg)	Shore
HYDRAULIC CONE MOUNTS 31	1845	177081	250	40 Sh
		177085	310	45 Sh
		177082	370	50 Sh
		177083	500	60 Sh
		177084	550	70 Sh
HYDRAULIC CONE MOUNTS 32	1914	177104	250	40 Sh
		177105	370	50 Sh
		177106	500	60 Sh
		177107	550	70 Sh
		177051	300	40 Sh
HYDRAULIC CONE MOUNTS 70	2862	177052	500	50 Sh
		177053	700	60 Sh
		177054	900	70 Sh
		177055	400	40 Sh
		177056	600	50 Sh
HYDRAULIC CONE MOUNTS 71	2951	177057	900	60 Sh
		177058	1000	70 Sh

Type	Weight (gr.)	Code	\varnothing ext (mm)	\varnothing int (mm)	Thickness (mm)
HYDRAULIC CONE MOUNTS 31	187	606488	80	16,5	5
HYDRAULIC CONE MOUNTS 32	175	610147	96	16,5	5
HYDRAULIC CONE MOUNTS 70	356	611167	110	16,5	5
HYDRAULIC CONE MOUNTS 71	356	611167	110	16,5	5



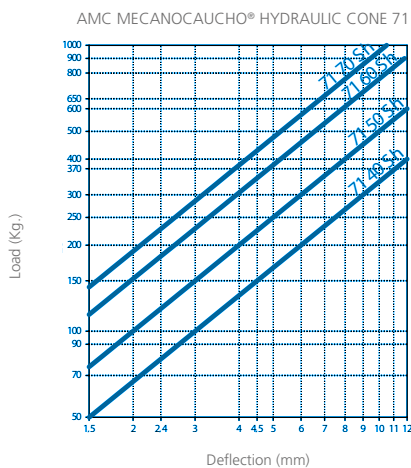
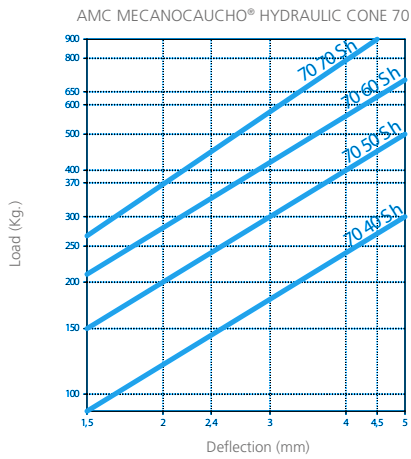
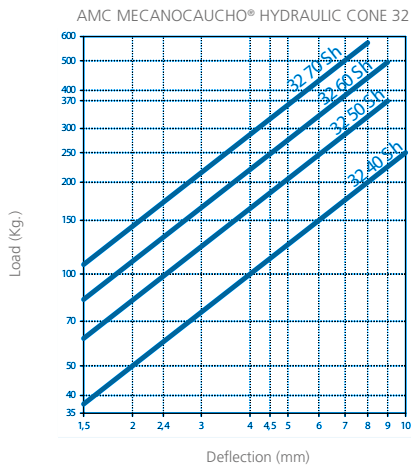
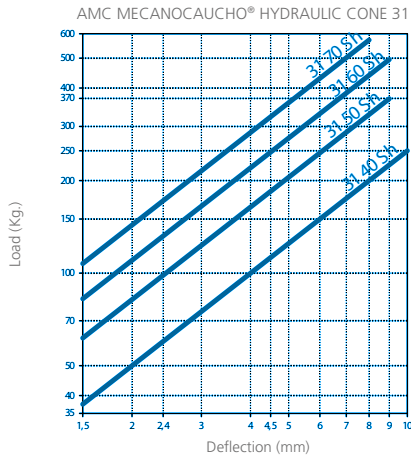
Example of installation on a tilting cab

LOAD DEFLECTION GRAPH
AMC MECANOCAUCHO® HYDRAULIC CONES

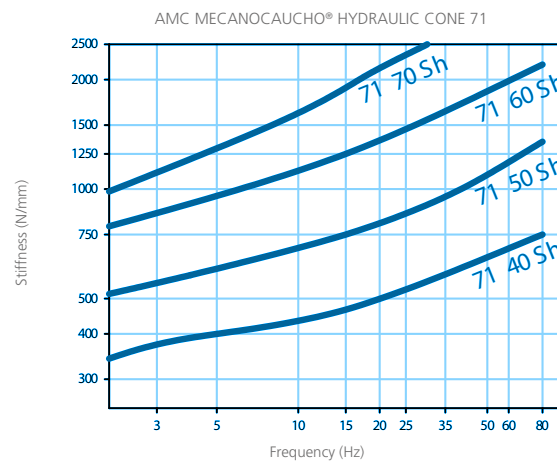
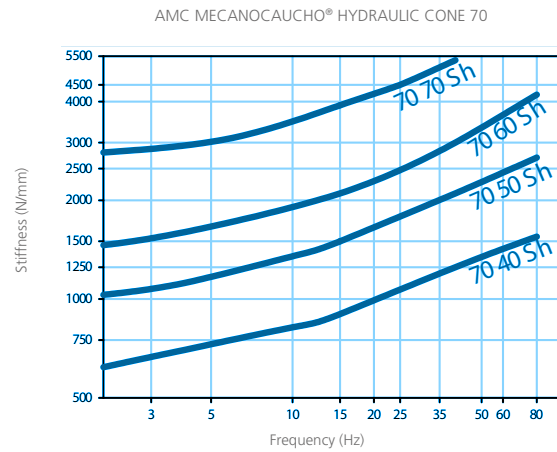
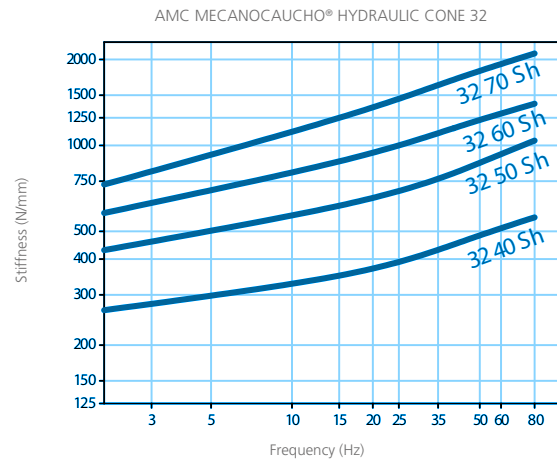
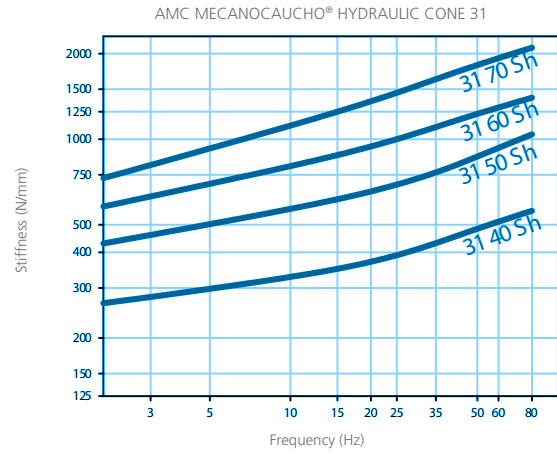


* In order to adapt its products to the state of the art, AMC S.A. reserves the right to modify the conception and manufacture of the materials presented in this catalogue without prior notice.

LOAD DEFLECTION



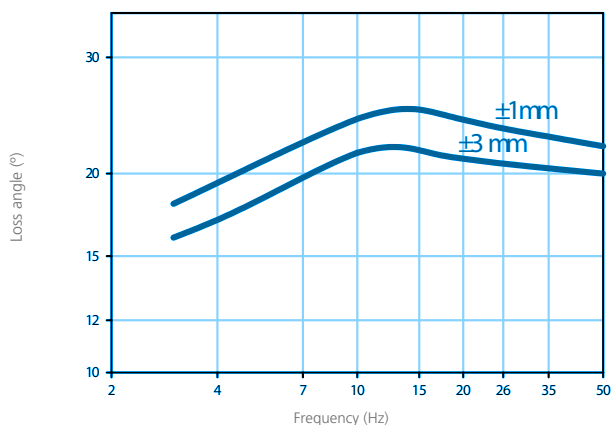
DYNAMIC STIFFNESS



DAMPING COEFFICIENT

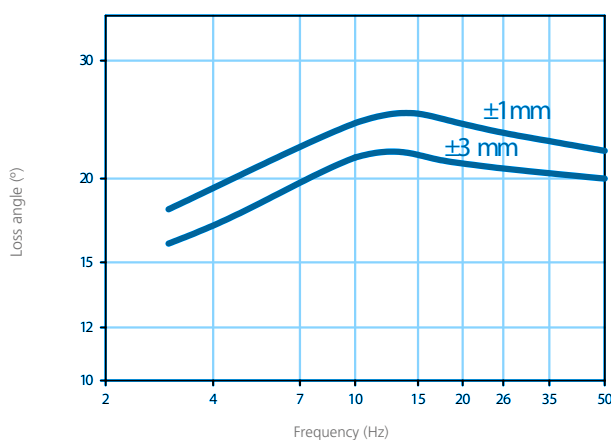
HYDRAULIC CONES 31

AMC MECANOCAUCHO® HYDRAULIC CONE 31



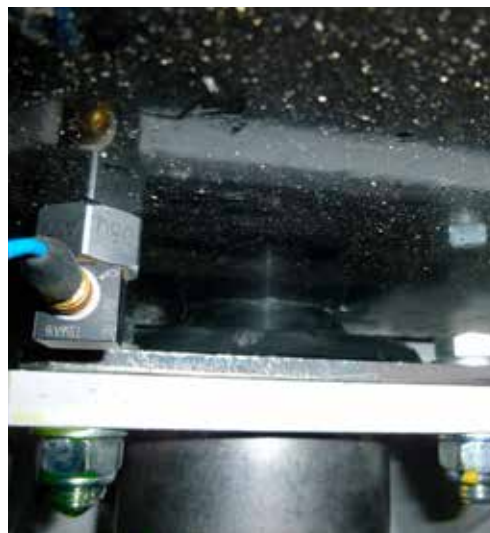
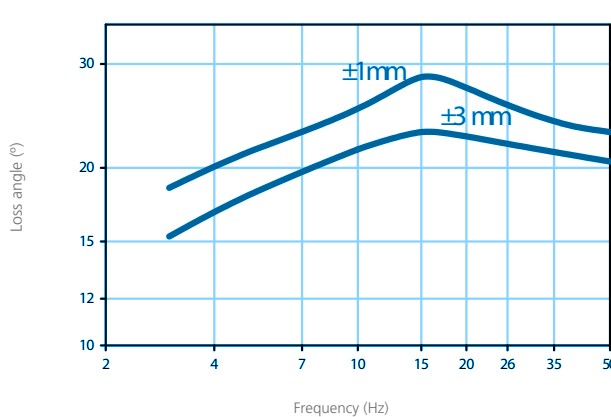
HYDRAULIC CONES 32

AMC MECANOCAUCHO® HYDRAULIC CONE 32



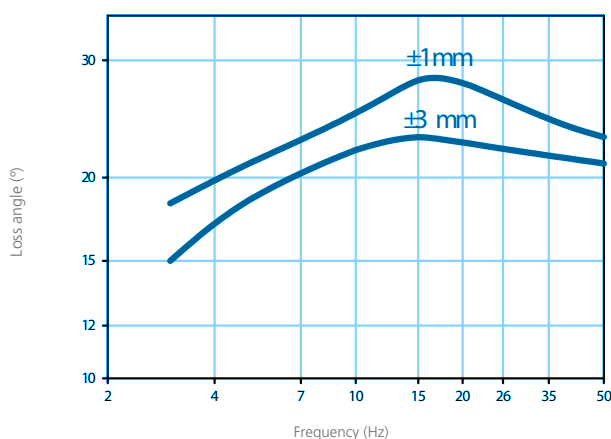
HYDRAULIC CONES 70

AMC MECANOCAUCHO® HYDRAULIC CONE 70



HYDRAULIC CONES 71

AMC MECANOCAUCHO® HYDRAULIC CONE 71



CONES

DESCRIPTION

The AMC MECANOCAUCHO® cones work the rubber in shear compression. They are composed of two parallel conical metal parts. They have two washers, one as a buffer and the other for centering.

TECHNICAL CHARACTERISTICS

- The AMC MECANOCAUCHO® Cone mounts are safe and stable elements. They do not allow the suspended elements to tilt, while being flexible enough to avoid the transmission of noise and vibration through the structure.
- They are supplied with stop and centering washers. This renders deflection above the limits of the Mecanocaucho® Cones impossible, even at extreme loads.
- The washers protect the natural rubber (which is highly elastic and highly resistant) from ozone and aging, as well as from metal knocks and dripping oil. The characteristic deflection curves of the AMC MECANOCAUCHO® Cone mounts with centering washer are quite linear, increasing progressively as the load increases. Thanks to this they can safely dampen overloads of up to three times the maximum admissible load.

APPLICATIONS

The AMC MECANOCAUCHO® cones have been designed to use them in engines and auxiliary machinery for static applications and for applications in all type of vehicles. Also used for cabs. You can contact our technical department.

CONICAL MOUNTS WITH CUTOUTS

The cutouts on the rubber section offer different horizontal/vertical stiffness ratios. This feature is specially interesting for those applications where a lower stiffness is required in one of the axes.

Our technical department can provide you the elastical constants and can recommend you the optimal position of the cutouts.



CONE WITH CUTOUTS

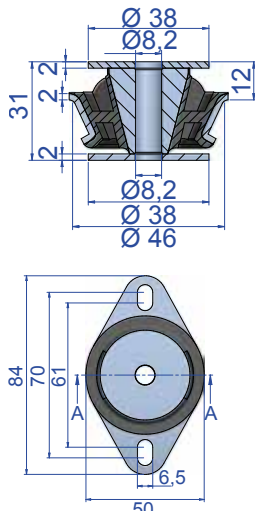
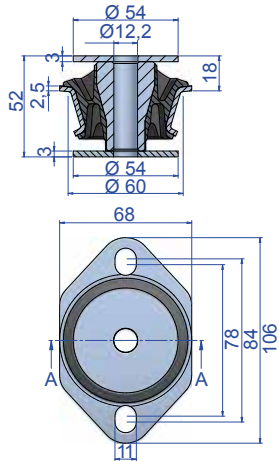
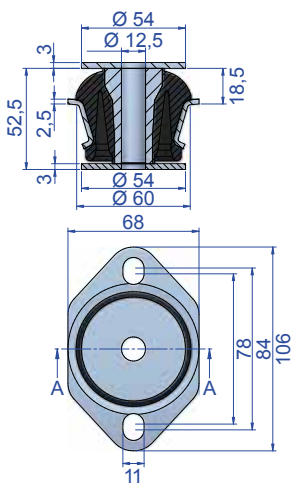
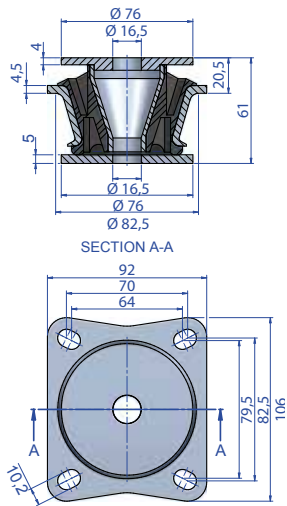
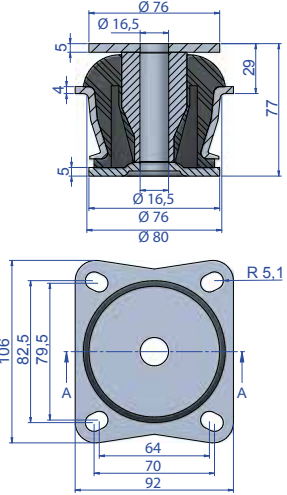
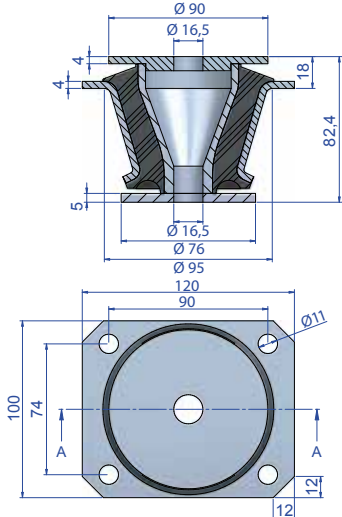
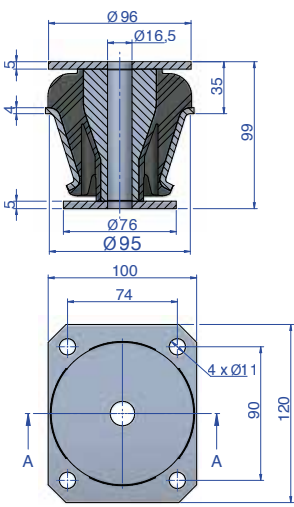
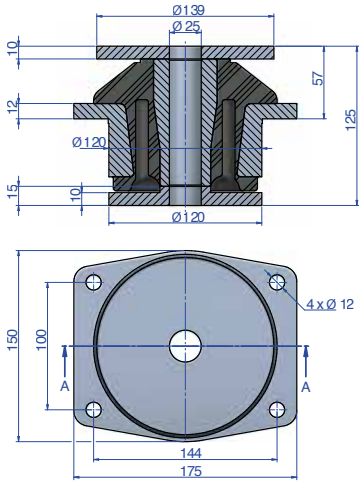
Type	Weight (gr.)	Code	Load (kg)	Shore
00	126	137007	25	45 Sh
		137008	50	60 Sh
		137009	75	70 Sh
10	406	137001	75	45 Sh
		137002	140	60 Sh
		137003	210	70 Sh
12	407	137914	80	45 Sh
		137916	120	55 Sh
		137918	200	70 Sh
20	554	137031	120	45 Sh
		137034	200	60 Sh
		137039	330	70 Sh
30	1167	137041	140	40 Sh
		137043	190	50 Sh
		137042	300	60 Sh
		137044	370	70 Sh
35	1328	137065	200	45 Sh
		137067	450	60 Sh
		137068	760	70 Sh
38	1438	137961	300	40 Sh
		137962	400	50 Sh
		137963	650	60 Sh
120 NP	6890	137871	440	45 Sh
		137872	720	55 Sh

SOLID CONE



CONE WITH CUTOUTS



CONE TYPE 00	CONE TYPE 10	CONE TYPE 12
 <p>Top Washer Cone 00 code 610053 Lower Washer Cone 00 code 610053</p>	 <p>Top Washer Cone 10 code 611068 Lower Washer Cone 10 code 611068</p>	 <p>Top Washer Cone 12 code 611068 Lower Washer Cone 12 code 611068</p>
CONE TYPE 20	CONE TYPE 30	CONE TYPE 35
 <p>SECTION A-A</p> <p>Top Washer Cone 20 code 610049 Lower Washer Cone 20 code 610050</p>	 <p>Top Washer Cone 30 code 608074 Lower Washer Cone 30 code 608125</p>	 <p>Top Washer Cone 35 code 608082 Lower Washer Cone 35 code 608097</p>
CONE TYPE 38	CONE TYPE 120 NP	
 <p>Top Washer Cone 38 code 610147 Lower Washer Cone 38 code 608074</p>	 <p>Top Washer Cone 120 code 606378 Lower Washer Cone 120 code 606379</p>	



SOLID CONE

Type	Weight (gr.)	Code	Load (kg)	Shore
01	128	137005	40	45 Sh
		137006	70	60 Sh
		137015	105	70 Sh
02	132	137010	50	45 Sh
		137011	90	60 Sh
11	409	137021	100	45 Sh
		137022	180	60 Sh
		137023	270	70 Sh
13	450	137921	120	45 Sh
		137922	170	55 Sh
		137925	270	70 Sh
14 - 2 holes	643	137930	250	45 Sh
		137931	450	60 Sh
		137932	690	70 Sh
14 - 4 holes	662	137935	250	45 Sh
		137936	450	60 Sh
		137937	690	70 Sh
17	410	137903	160	45 Sh
		137904	250	60 Sh
		137905	350	70 Sh
21	560	137071	180	45 Sh
		137074	300	60 Sh
		137079	500	70 Sh
31	1188	137063	310	50 Sh
		137061	500	60 Sh
		137062	750	70 Sh
33	1462	137075	300	45 Sh
		137077	600	60 Sh
		137078	900	70 Sh
36	1410	137171	400	45 Sh
		137172	700	60 Sh
		137173	1100	70 Sh
39	1438	137981	400	40 Sh
		137982	600	50 Sh
		137983	900	60 Sh
		137984	1100	70 Sh
40	1216	137081	420	45 Sh
		137082	690	60 Sh
		137083	1080	70 Sh
60	1821	137091	900	45 Sh
		137092	1250	60 Sh
		137093	1560	70 Sh
65	2965	137176	500	50 Sh
		137177	1100	65 Sh
		137178	1560	75 Sh
70	3450	137101	1000	45 Sh
		137102	2100	60 Sh
		137103	2500	70 Sh
75	4230	137786	850	45 Sh
		137787	1600	60 Sh
121 NG	7840	137830	1750	55 Sh
		137833	2000	65 Sh
121 NP	6940	137841	730	45 Sh
		137829	1200	55 Sh
141	1039	137891	175	50 Sh
		137893	250	60 Sh

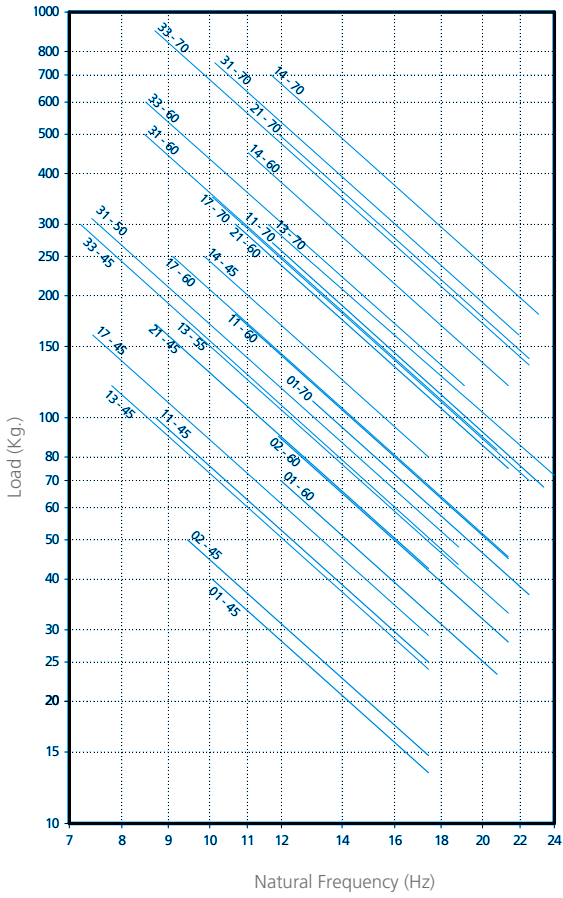


CONE TYPE 01	CONE TYPE 02	CONE TYPE 11
<p>Top Washer Cone 01 code 610053 Lower Washer Cone 01 code 610053</p>	<p>Top Washer Cone 02 code 610064 Lower Washer Cone 02 code 610064</p>	<p>Top Washer Cone 11 code 611080 Lower Washer Cone 11 code 611080</p>
CONE TYPE 13	CONE TYPE 14-2 holes	CONE TYPE 14-4 holes
<p>Top Washer Cone 13 code 611080 Lower Washer Cone 13 code 611080</p>	<p>Top Washer Cone 14-2 code 611080 Lower Washer Cone 14-2 code 611080</p>	<p>Top Washer Cone 14-4 code 611080 Lower Washer Cone 14-4 code 611080</p>
CONE TYPE 17	CONE TYPE 21	CONE TYPE 31
<p>Top Washer Cone 17 code 606285 Lower Washer Cone 17 code 608074</p>	<p>Top Washer Cone 21 code 606285 Lower Washer Cone 21 code 608074</p>	<p>Top Washer Cone 31 code 608074 Lower Washer Cone 31 code 608125</p>

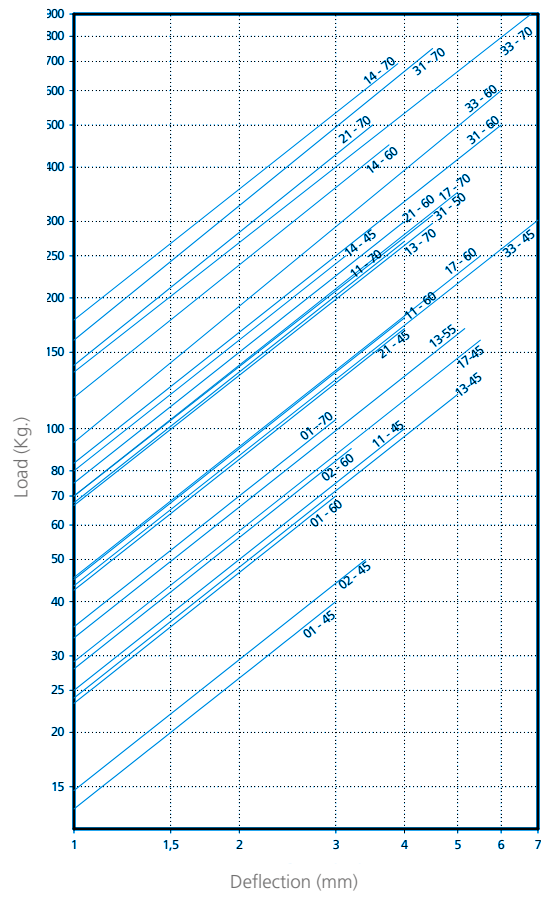
CONE TYPE 33	CONE TYPE 36	CONE TYPE 39	
<p>Top Washer Cone 33 code 608074 Lower Washer Cone 33 code 608125</p>	<p>Top Washer Cone 36 code 608082 Lower Washer Cone 36 code 608074</p>	<p>Top Washer Cone 39 code 610147 Lower Washer Cone 39 code 608074</p>	
CONE TYPE 40	CONE TYPE 60	CONE TYPE 65	CONE TYPE 70
<p>Top Washer Cone 40 code 610027 Lower Washer Cone 40 code 608069</p>	<p>Top Washer Cone 60 code 610032 Lower Washer Cone 60 code 610033</p>	<p>Top Washer Cone 65 code 608144 Lower Washer Cone 65 code 608072</p>	<p>Top Washer Cone 70 code 608033 Lower Washer Cone 70 code 606145</p>
CONE TYPE 75	CONE TYPE 121 NG	CONE TYPE 121 NP	CONE TYPE 141
<p>Top Washer Cone 75 code 608332 Lower Washer Cone 75 code 606619</p>	<p>Top Washer Cone 121 code 606378 Lower Washer Cone 121 code 606379</p>	<p>Top Washer Cone 121 code 606378 Lower Washer Cone 121 code 606379</p>	<p>Top Washer Cone 141 code 608074 Lower Washer Cone 141 code 608125</p>

* In order to adapt its products to the state of the art, AMC S.A. reserves the right to modify the conception and manufacture of the materials presented in this catalogue without prior notice.

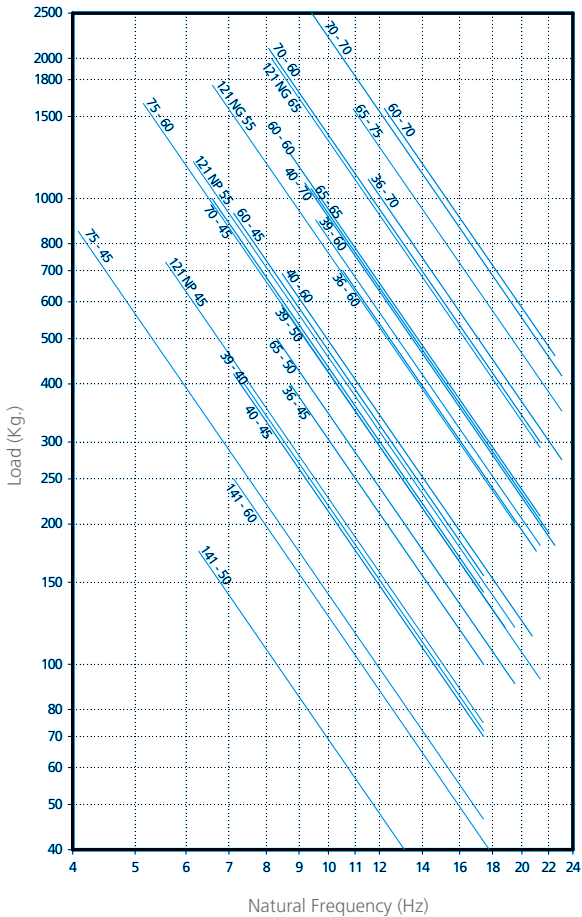
NATURAL FREQUENCY
AMC MECANOCAUCHO® SOLID CONE TYPE 1-33



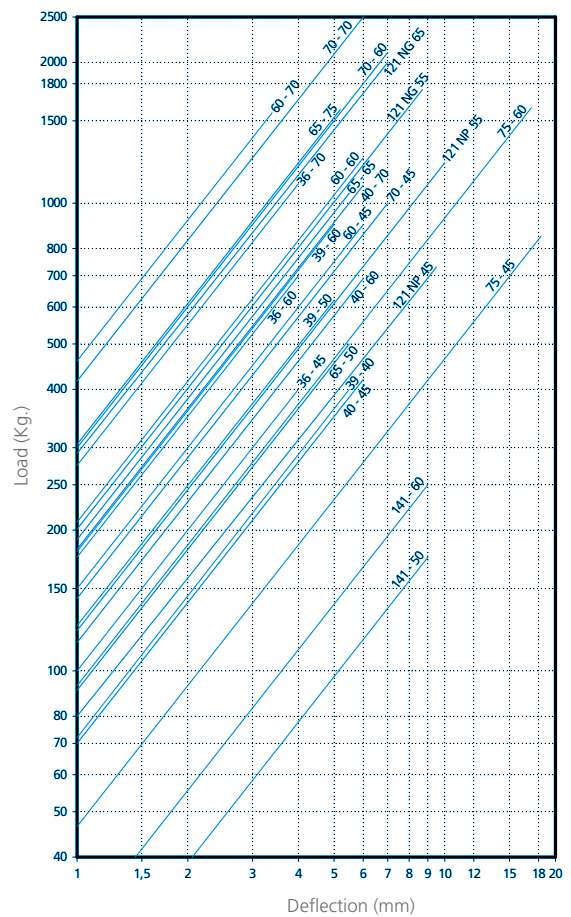
LOAD DEFLECTION GRAPH
AMC MECANOCAUCHO® SOLID CONE TYPE 1-33

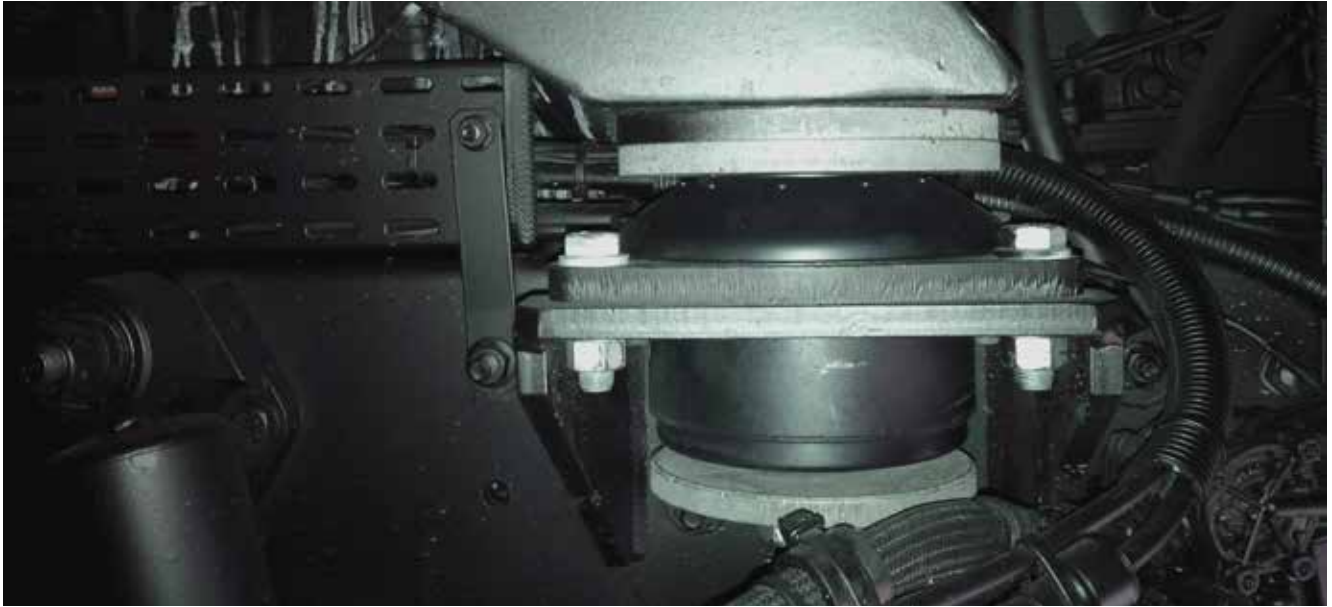


NATURAL FREQUENCY
AMC MECANOCAUCHO® SOLID CONE TYPE 36-121



LOAD DEFLECTION GRAPH
AMC MECANOCAUCHO® SOLID CONE TYPE 36-121





Installation examples.

CONES WITH FIXATION FLANGE

DESCRIPTION

The cones with fixation flange from AMC MECANOCAUCHO® work the elastomer at shear compression. They are comprised of a high strength external metal armour and a conical internal that is placed concentrically.

TECHNICAL CHARACTERISTICS

The cones with fixation flange from AMC MECANOCAUCHO® are conceived to offer predominant axial elasticity under heavy loads. The used elastomer is a low dynamic rigidification elastomer, which makes it possible to obtain low natural frequencies thus maintaining excellent stability of the suspended unit.

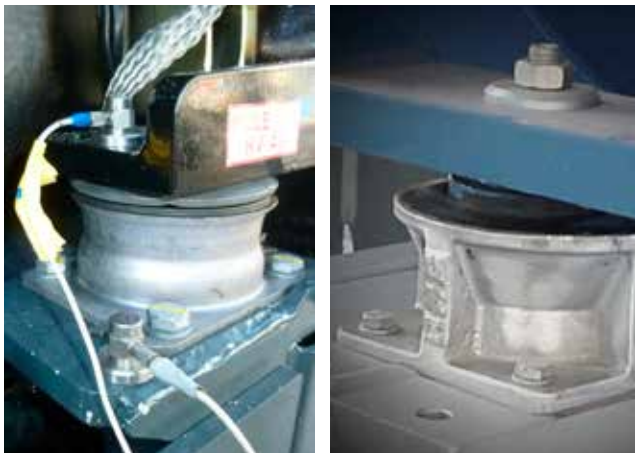
The mount's radial stiffness is superior to the axial. This is particularly interesting for applications where great horizontal stability needs to be maintained.

The AMC MECANOCAUCHO® Cone 100 mount is supplied with a height adjuster. This makes it possible to easily align transmission shafts without having to use additional accessories to do so.

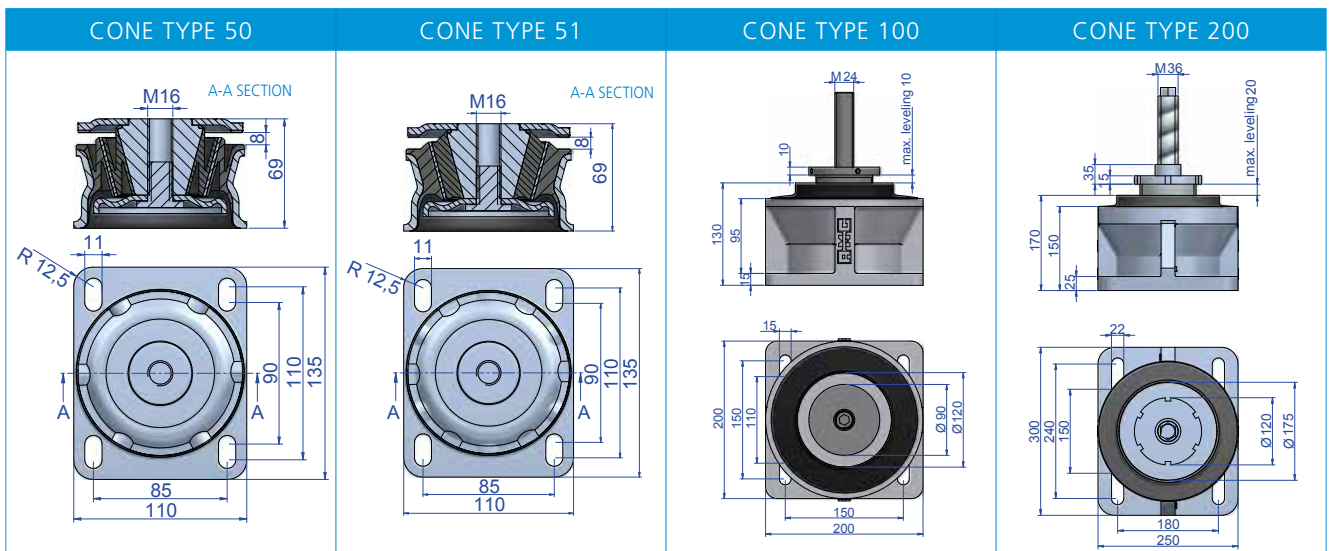
All the models also incorporate an interlocking metal part that allow them to act as a FAILSAFE system. Thanks to this, and to the ruggedness of the metal parts, this mount is suitable for applications where the suspended unit is submitted to great shocks.

APPLICATIONS

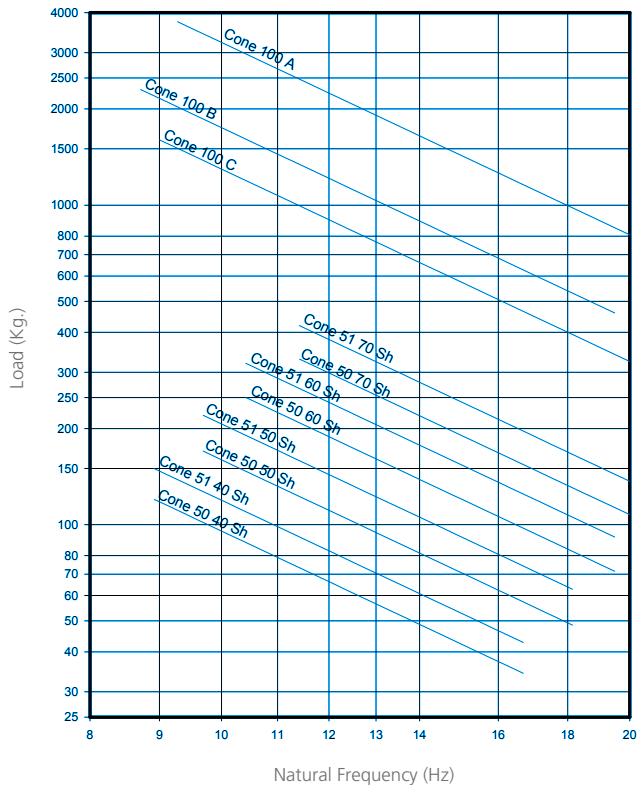
The AMC MECANOCAUCHO® cones with fixation flange have been designed specially for use in engines and auxiliary machinery for static applications and for applications in all kinds of vehicles.



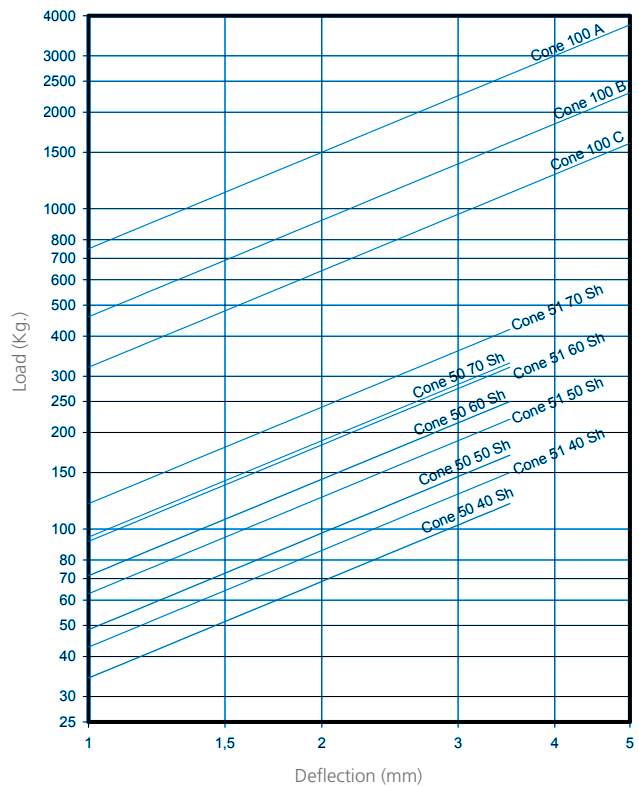
Type	Weight (gr.)	Code	Load (kg)	Shore
Cone 50 M16x2	1600	137085	120	40 Sh
		137086	170	50 Sh
		137087	250	60 Sh
		137088	300	70 Sh
		137231	120	40 Sh
Cone 50 M16x1,5	1600	137233	170	50 Sh
		137235	250	60 Sh
		137237	300	70 Sh
		137095	150	40 Sh
Cone 51 M16x2	1750	137096	220	50 Sh
		137097	320	60 Sh
		137098	420	70 Sh
		137241	150	40 Sh
Cone 51 M16x1,5	1750	137243	220	50 Sh
		137245	320	60 Sh
		137247	420	70 Sh
Cone 100 A	9626	137213	3750	-
Cone 100 B	9626	137214	2300	-
Cone 100 C	9626	137215	1600	-
Cone 200 A	29000	137810	8500	-
Cone 200 B	29000	137801	6500	-
Cone 200 C	29000	137805	3900	-



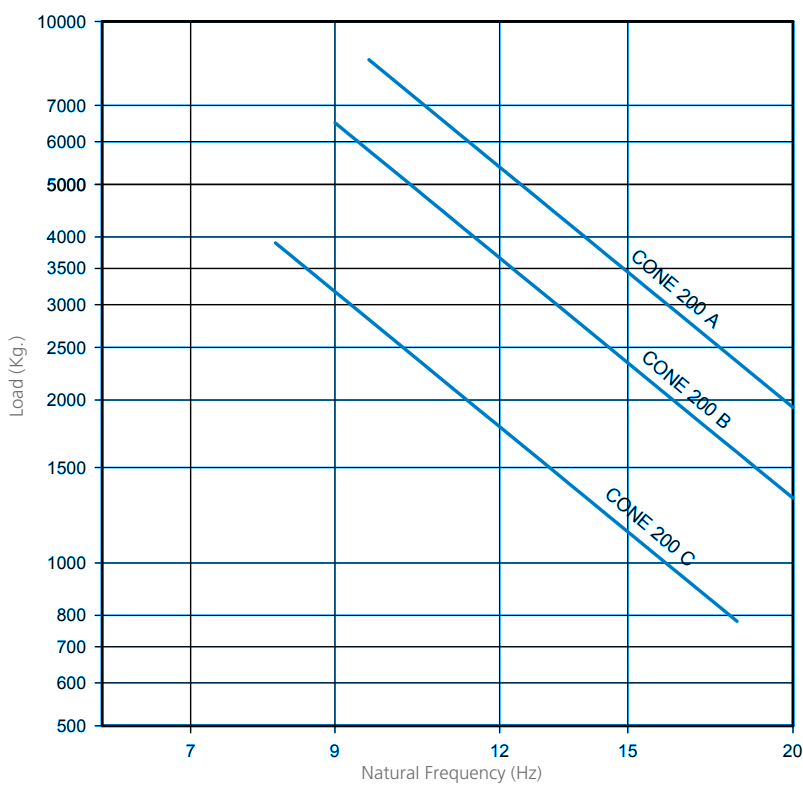
NATURAL FREQUENCY
AMC MECANOCAUCHO® CONE TYPE 50-51-100



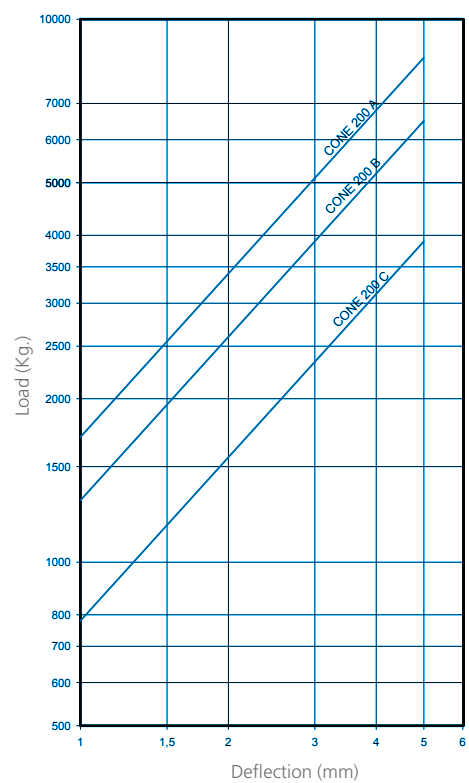
LOAD DEFLECTION GRAPH
AMC MECANOCAUCHO® CONE TYPE 50-51-100



NATURAL FREQUENCY
AMC MECANOCAUCHO® CONE TYPE 200



LOAD DEFLECTION GRAPH
AMC MECANOCAUCHO® CONE TYPE 200



CAB MOUNT

DESCRIPTION

The AMC MECANOCAUCHO® cabin mount is composed of two main metal parts. Both metal parts are bonded to a high resilient rubber for optimum vibration isolation.

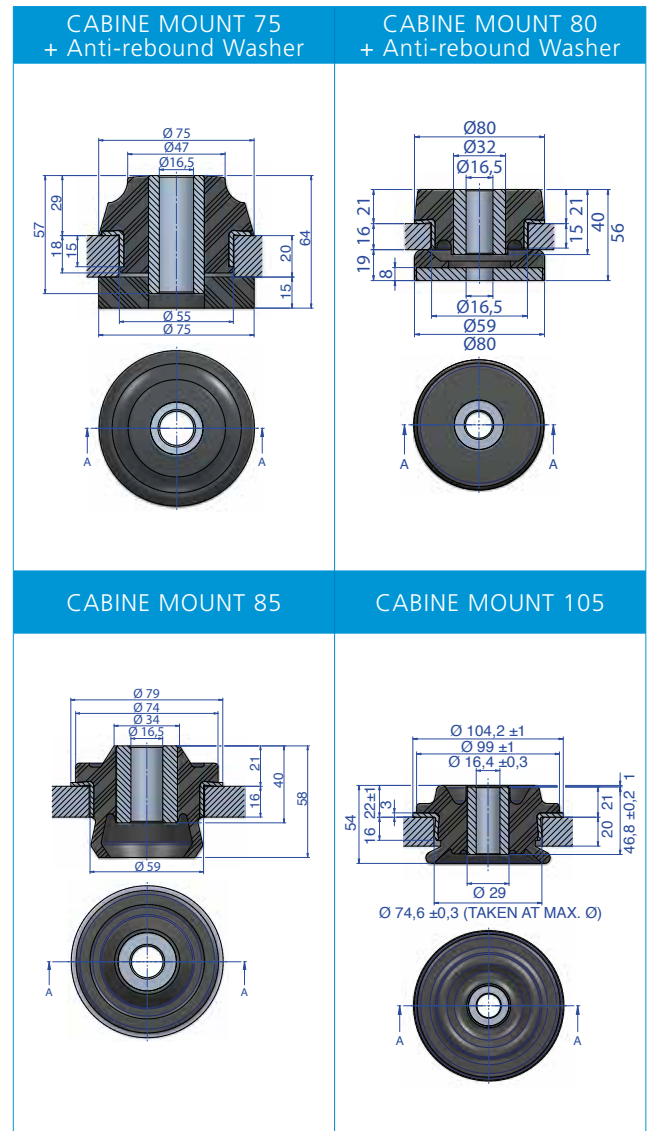
TECHNICAL CHARACTERISTICS

- This mount incorporates two bump shaped profiles in order to absorb dynamic loads or shocks. This feature is specially interesting for restricting the motion of the cabin under transient shocks.
- The metal parts are corrosion protected to cope with arduous environments on land or marine applications. RoHs compliant.
- The AMC MECANOCAUCHO® cabin mount can be manufactured in other different rubber compounds in order to be suitable for different weight of cabins.
- Our technical department can give the correct recommendation in order to overpass ROPS tests on construction equipment machinery.

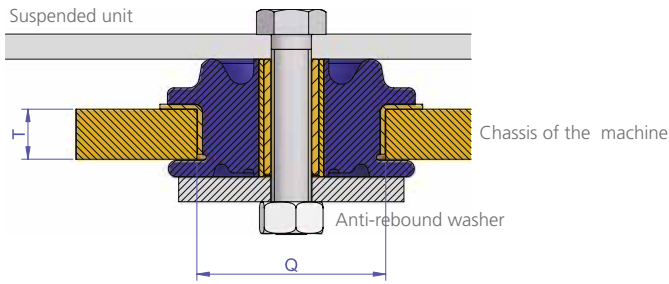
APPLICATIONS

For the effective isolation of vibration and noise on cabins for the following purposes:

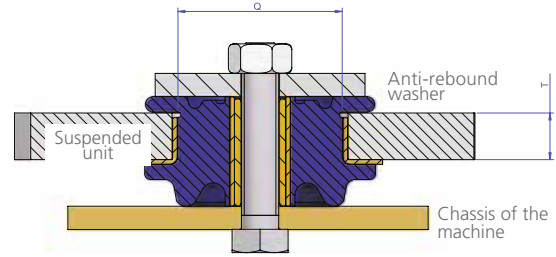
- Agricultural Tractors.
- Construction equipment machinery
- Off road vehicles.



- Assembly 1



- Assembly 2



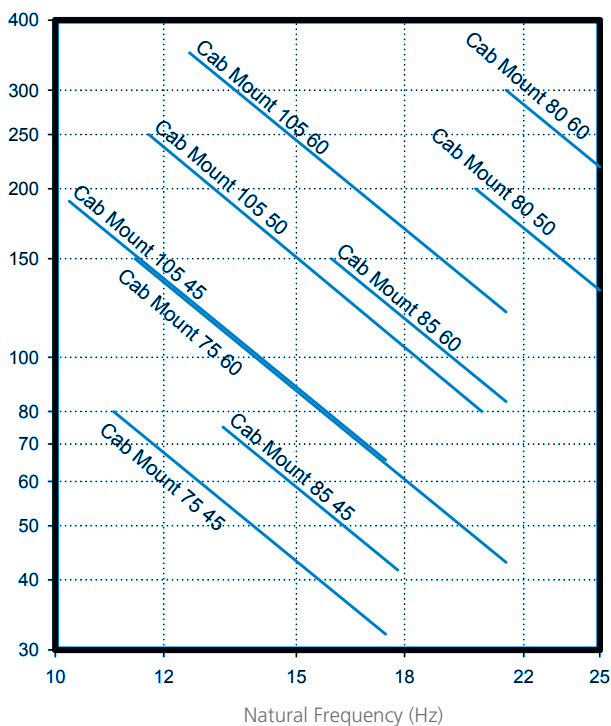
Type	Q (mm)	T (mm)	Weight (gr.)	Code	Load (kg)	Ø	Shore
Cabin Mount 75	55,5	20	328	137371	140	16	45 Sh
				137372	220	16	60 Sh
				137373	140	20	45 Sh
				137374	220	20	60 Sh
Cabin Mount 80	60	16	616	137353	200	16	50 Sh
				137354	300	16	60 Sh
				137351	200	20	50 Sh
Cabin Mount 85	60	16	300	137322	75	16	45 Sh
				137323	150	16	60 Sh
				137313	75	20	45 Sh
Cabin Mount 105	75	20	600	137311	150	20	60 Sh
				137301	190	16	45 Sh
				137318	250	16	50 Sh
				137315	350	16	60 Sh
				137302	190	20	45 Sh
				137320	250	20	50 Sh
137319	350	20	60 Sh				

Type	Code	Ø	Weight (gr.)	Øext (mm)	Øint (mm)	Thickness (mm)
Cabine Mount 75 washer	608074	16	175	76	16,5	5
	610027	20	175	76	20,5	5
Cabine Mount 80 washer	606482	16	237	90	18	5
	606486	20	237	90	20,5	5
Cabine Mount 85 washer	606482	16	237	90	18	5
	606486	20	237	90	20,5	5
Cabine Mount 105 washer	611167	16	325	110	16,5	5
	606487	20	325	110	20,5	5

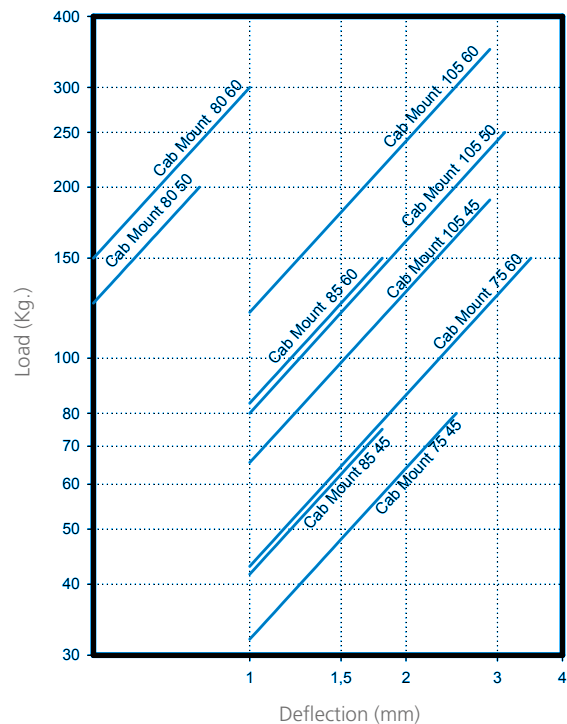
This washer is mandatory to be a Fail-Safe System. The thickness of the washer depends on the application. Please contact us, if you have any question. The Cab mounts 75 and 80 include an anti rebound washer.

Washers should be used, if the rubber surface is not covered with the contact surface. Washers upon request.

NATURAL FREQUENCY
AMC MECANOCAUCHO® TYPE CABINE MOUNT



LOAD DEFLECTION GRAPH
AMC MECANOCAUCHO® TYPE CABINE MOUNT



* In order to adapt its products to the state of the art, AMC S.A. reserves the right to modify the conception and manufacture of the materials presented in this catalogue without prior notice.

CB

DESCRIPTION

The AMC MECANOCAUCHO® type CB mounts are installed in pairs. Installation is simplified as both mounts fixed with one through bolt and a washers at each end.

The mount is provided with a built in wear plate that prevents the elastomeric element from coming in contact with sharp edges of support frames or structures that may cause friction in traditionally used semi bonded mounts. Therefore with these mounts there is no need to machine radii or chamfer holes.

The specific design of the mounts permits high dynamic loads whilst limiting the movement due to the multiple axial snubbing design.

TECHNICAL CHARACTERISTICS

- The AMC MECANOCAUCHO® Type CB is radially 30% softer than axially. This feature is specially interesting for those machines or equipments where radial axis vibration isolation is important.
- The mount is provided with a built in snubbing system that allows the following elastical courses:
 - Vertical: +/- 6 mm
 - Horizontal: +/- 3mm
- The mount can be supplied in two different sizes and in different hardness compounds to accommodate applications from 30 to 550 Kg per mount.
- Metal parts are embedded in rubber in order to prevent corrosion.

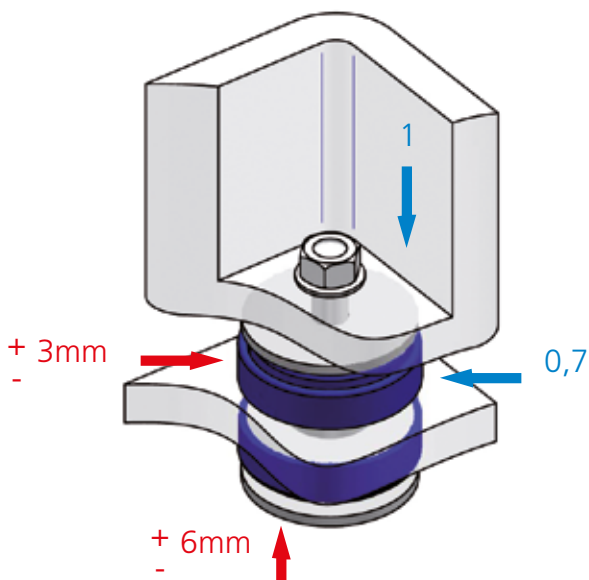
APPLICATIONS

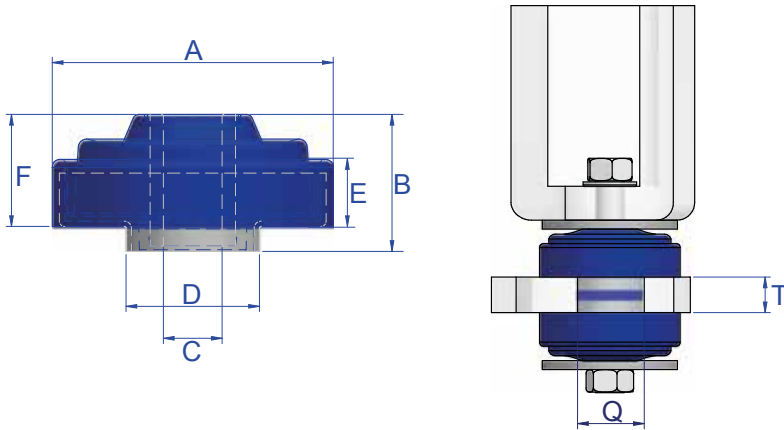
- Agricultural or construction equipment cabins, engines, radiators, transmission, battery boxes.
- Marine equipment
- Mobile Generators or compressors.
- Chassis frames for Military, Bus, Truck, Motorhome and Emergency vehicles.



Blue colour: Stiffness ratios per axe.

Red colour: Maximum elastical course per axe.



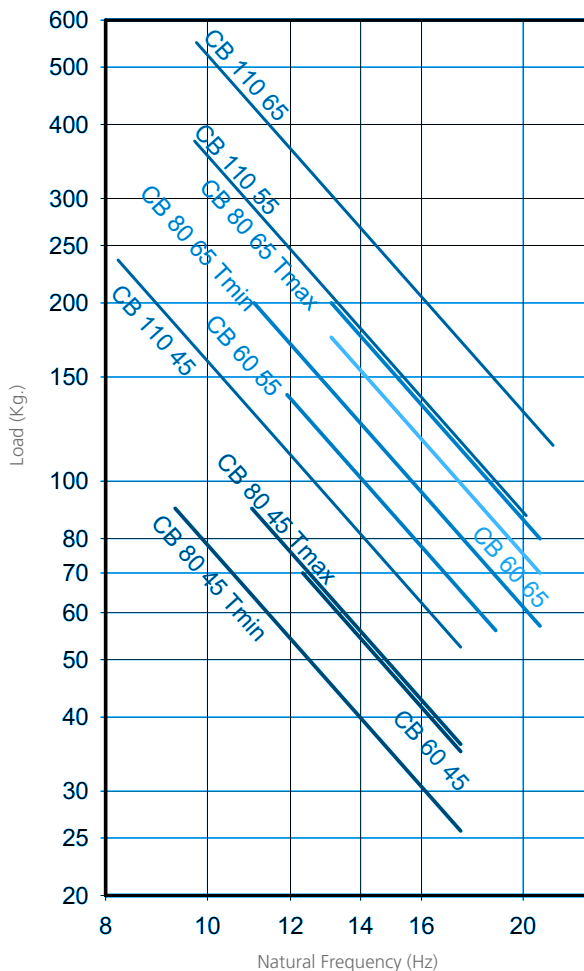


Washers should be used, if the rubber surface is not covered with the contact surface. Washers upon request.

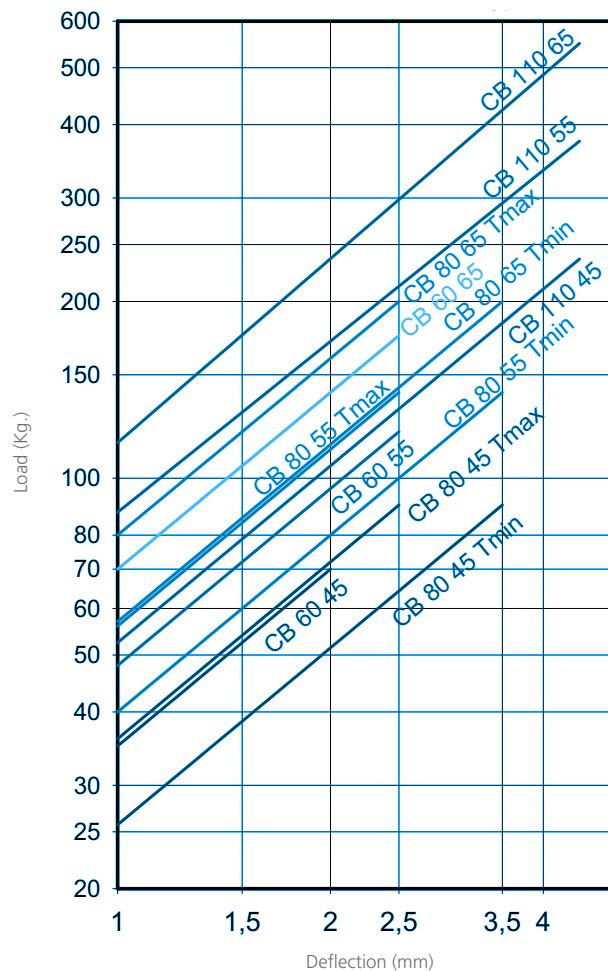
Type	A (mm)	B (mm)	C (mm)	D (mm)	E (mm)	F (mm)	Q (mm)	T (Max.)	T (Min.)	Weight (gr.)	Washer	Code	Shore	Max. Load (kg)
CB 60	66	34,5	16,5	39,5	16	28	40	20	20	140	606130	156011	45 Sh	70
												156013	55 Sh	120
												156014	65 Sh	170
CB 65	65,5	38	18,9	40,5	19	29	41	20	20	175	706004	156031	45 Sh	70
												156032	55 Sh	120
												156033	65 Sh	170
CB 80	78,5	37	16,5	37,5	18	32,5	38	20	18	242	608074	156001	45 Sh	90
												156002	55 Sh	140
												156003	65 Sh	200
CB 110	109	47	22,5	56,5	27,5	40	57	25	25	630	610192	156021	45 Sh	235
												156022	55 Sh	375
												156023	65 Sh	550

Type	Weight (gr.)	Øext (mm)	Øint (mm)	THICKNESS (mm)	Code
CB 60 WASHER	125	66	16,5	5	606130
CB 65 WASHER	141	67	18,5	5	706004
CB 80 WASHER	175	76	16,5	5	608074
CB 110 WASHER	286	110	23	5	610192

NATURAL FREQUENCY
AMC MECANOCAUCHO® DYNAMIC TYPE CB



LOAD DEFLECTION GRAPH
AMC MECANOCAUCHO® TYPE CB



* In order to adapt its products to the state of the art, AMC S.A. reserves the right to modify the conception and manufacture of the materials presented in this catalogue without prior notice.



TF

DESCRIPTION

The AMC MECANOCAUCHO® TF type anti vibration mounts are made of two moulded parts. One of circular fully moulded rubber, and one circular part which is fully bonded to a centre tube which acts as a guide for the machine anchoring bolt. They are installed pre-compressed on the actual machine frame, whose thickness "E" determines the degree of pre-compression of the assembly.

TECHNICAL CHARACTERISTICS

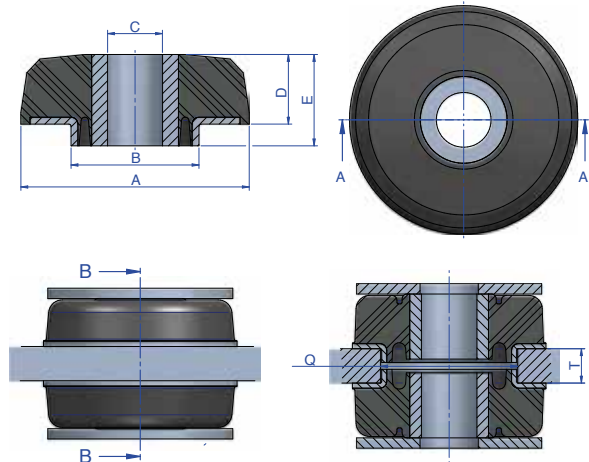
This antivibration mount is ideal for applications with major dynamic loadings such as; Off-Road Construction vehicles for engines, gear-boxes, Operator Cabins where movement control is necessary. It also offers optimal stability, as well as good attenuation of impacts and high frequency vibrations.

ASSEMBLY INSTRUCTIONS

The TF mounts should be assembled according to the following installation instructions. There are two possible configurations, see assembly 1 and assembly 2, for which the recommendations given in the following chart must be observed. They can be installed in plates of different thicknesses according to the T_{mx} and T_{min} values given in the Table provided. The Load vs Deformation curves will vary according to the plate thickness in which the mount will be installed.

APPLICATIONS

- Vehicle cabins
- Construction equipment machinery and agricultural vehicles, etc.

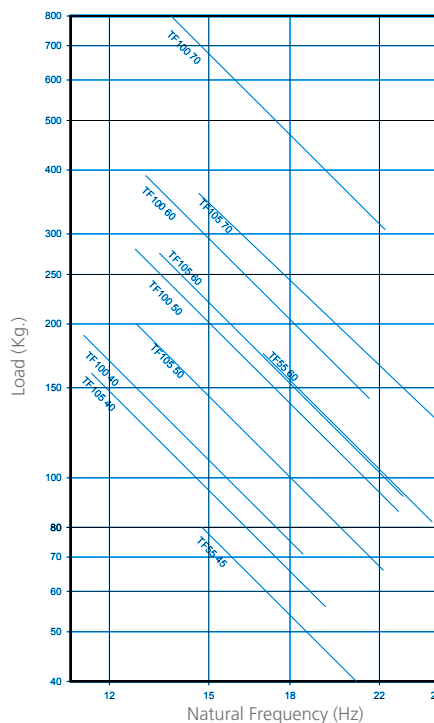


Washers should be used, if the rubber surface is not covered with the contact surface. Washers upon request.

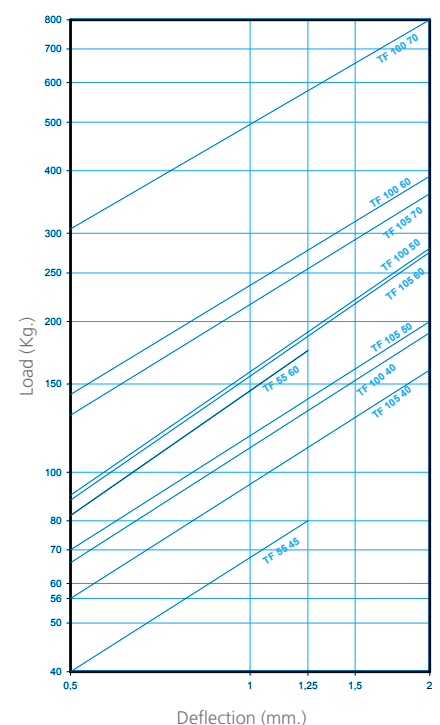
Type	A (mm)	B (mm)	C (mm)	D (mm)	E (mm)	Q (mm)	T (mm)	Weight (gr.)	WASHER	Code	Shore	Max. Load (kg)
TF 55	56,5	39,4	16,2	16	20	40	10	82	611056	138061	45 Sh	80
										138063	60 Sh	175
										137365	40 Sh	190
TF 100	100	56	24	30,5	40	56	25	500	606484	137366	50 Sh	280
										137363	60 Sh	390
										137364	70 Sh	800
										137381	40 Sh	160
TF 105	105	75	16	29	38	75	20	580	606481	137382	50 Sh	200
										137383	60 Sh	275
										137384	70 Sh	360

Type	Weight (gr.)	Code	Øext (mm)	Øint (mm)	THICKNESS (mm)
TF 55 Washer	48	611056	54	17	3
TF 100 Washer	373	606484	110	24,5	5
TF 105 Washer	325	611167	110	16,5	5

NATURAL FREQUENCY
AMC MECANOCAUCHO® TYPE TF



LOAD DEFLECTION CURVE
AMC MECANOCAUCHO® TYPE TF



SCB

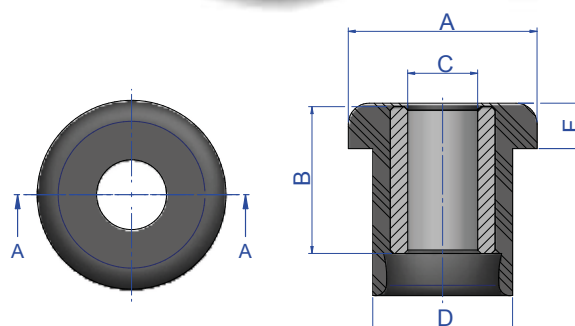
DESCRIPTION

The SCB elastic mounts are elements that work on the basis of compression since thanks to their design and assembly they provide an anti-rebound effect, thus permitting safety assemblies.

ADVANTAGES

- Easy to install
- Simple and economical product.
- Wide range of loads.

Their failsafe feature makes them very recommendable for mobile applications.

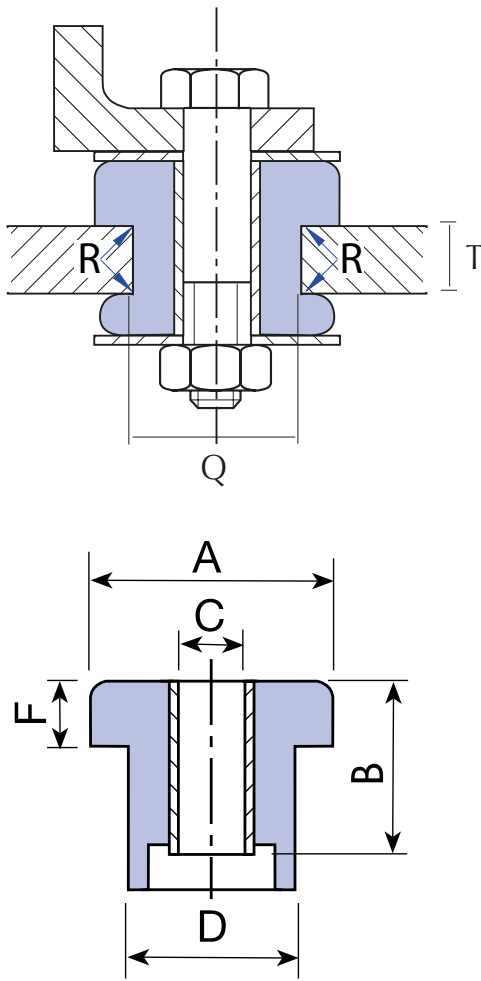


Washers should be used, if the rubber surface is not covered with the contact surface.
Washers upon request.

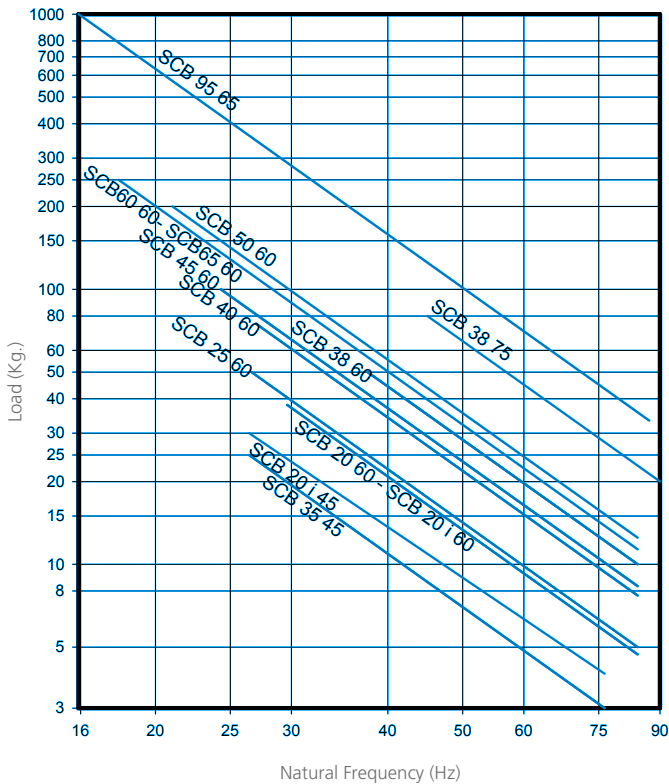
Type	A (mm)	B (mm)	C (mm)	D (mm)	F (mm)	Q (mm)	T (Max.)	T (Min.)	Weight (gr.)	R (mm)	Code	Load (kg)	Shore
SCB 20	27	15,5	10,25	20	7	19,5	5	4	20	1	138013	30	45 Sh
											138019	38	60 Sh
SCB 20i	27	15,5	8	20	7	19,5	5	4	20	1	138056	38	60 Sh
SCB 25	27,5	21	10	20	6,5	19,5	15	14	20	1	138001	50	60 Sh
SCB 35	27,5	12,5	8	19,4	8,5	19	4	3	30	0,5	138012	25	45 Sh
											138043	50	60 Sh
SCB 38	33,5	19	10,5	20,5	11	20,5	5	3	30	0,5	138044	80	75 Sh
											138022	75	60 Sh
SCB 40	35	15,5	13	26,5	8	26,5	5	4	50	1	138022	75	60 Sh
SCB 45	41,5	25,5	13,75	31	10	30	11	10	56	1,5	138002	100	60 Sh
SCB 50	49,5	35	13,5	34	13,5	33	17	16	73	1,5	138003	200	60 Sh
SCB 60	63	31,2	16,2	41	17	40	10	9	108	3	138004	250	60 Sh
SCB 65	62	43,5	16,5	40	17	39	20	19	140	3	138005	250	60 Sh
SCB 95	92	51,5	20,5	56	26,5	54,5	20	19	395	3	138011	1000	65 Sh

Type	Øext (mm)	Øint (mm)	THICKNESS (mm)	Code	Weight (kg)
SCB 20 WASHER	28	10,5	2	606185	0,03
SCB 20i WASHER	28	8,5	2	606124	0,03
SCB 25 WASHER	28	8,5	2	606124	0,03
SCB 35 WASHER	28	8,5	2	606124	0,03
SCB 38 WASHER	38	12,5	3	611065	0,04
SCB 40 WASHER	38	12,5	3	611065	0,04
SCB 45 WASHER	54	12,5	3	611080	0,051
SCB 50 WASHER	54	12,5	3	611080	0,051
SCB 60 WASHER	66	16,5	5	606130	0,125
SCB 65 WASHER	66	16,5	5	606130	0,125
SCB 95 WASHER	95	22	6	608101	0,31

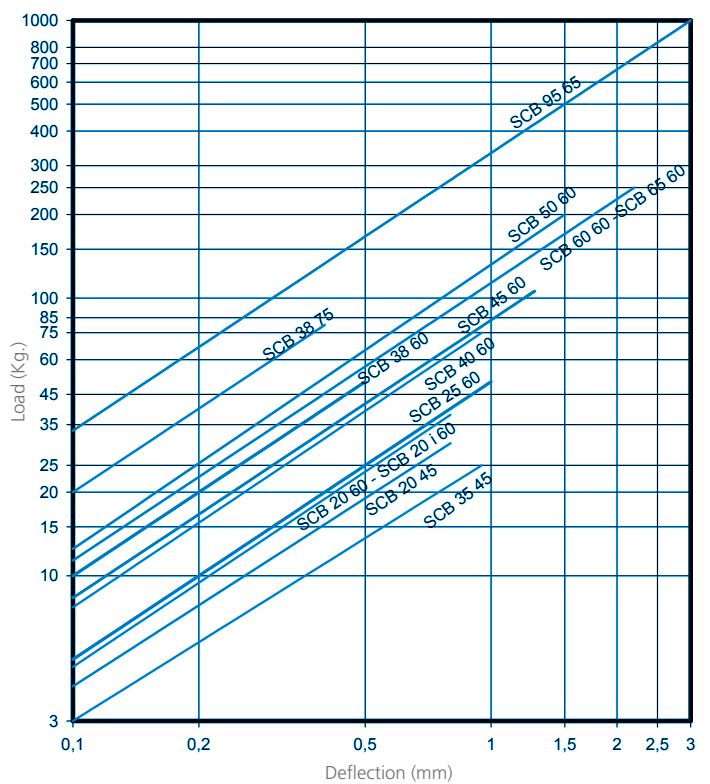
ASSEMBLY



NATURAL FREQUENCY
AMC MECANOCAUCHO® SCB TYPE



LOAD DEFLECTION GRAPH
AMC MECANOCAUCHO® SCB TYPE



SCBR

DESCRIPTION

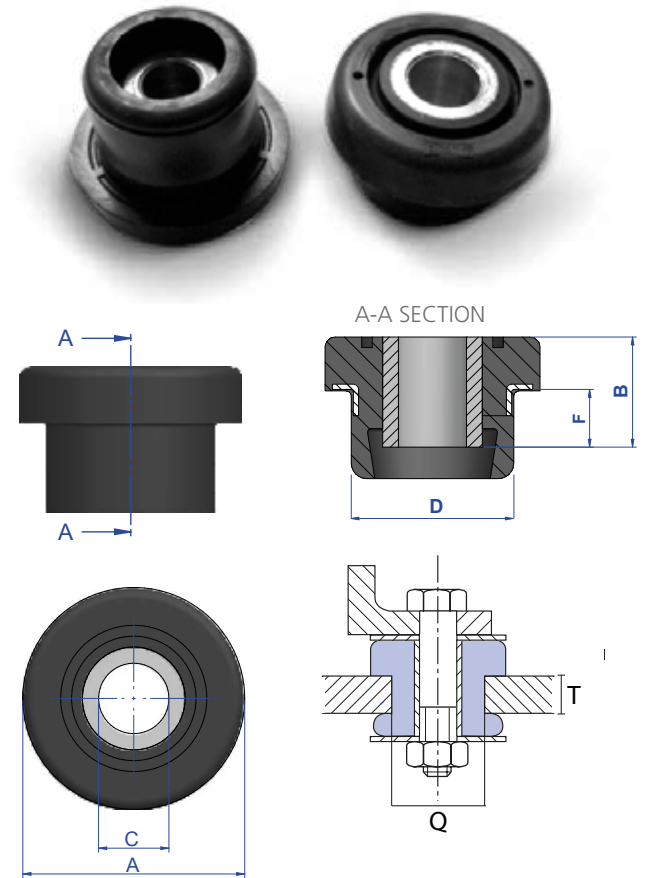
The SCBR elastic mounts are elements that work on the basis of compression since thanks to their design and assembly they provide an anti-rebound effect, thus permitting safety assemblies.

Moreover it contains a metallic part, that avoids a premature wear by friction between the rubber and the housing of the mount.

ADVANTAGES

The inside stop effect makes them very recommendable for safety purposes.

- Easy to assemble.
- Simple and economical product.
- Wide range of loads.

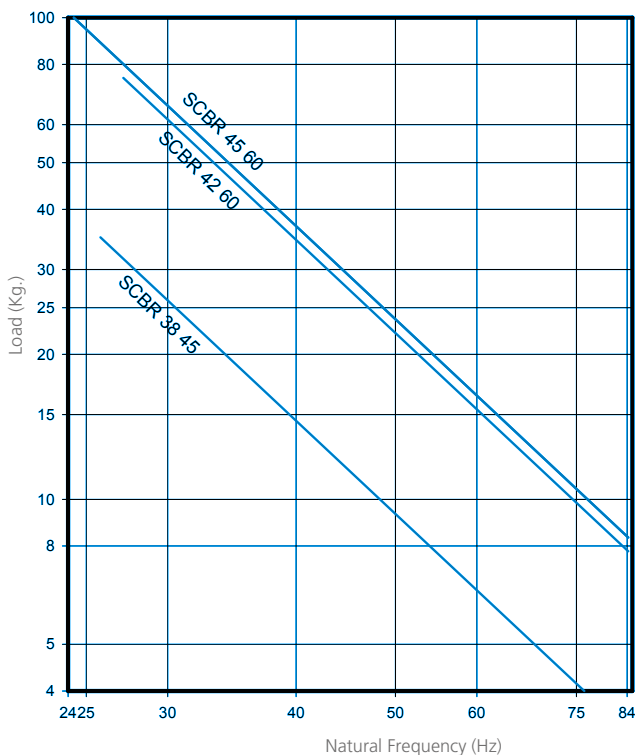


Washers should be used, if the rubber is not covered with the contact surface.
Washers upon request.

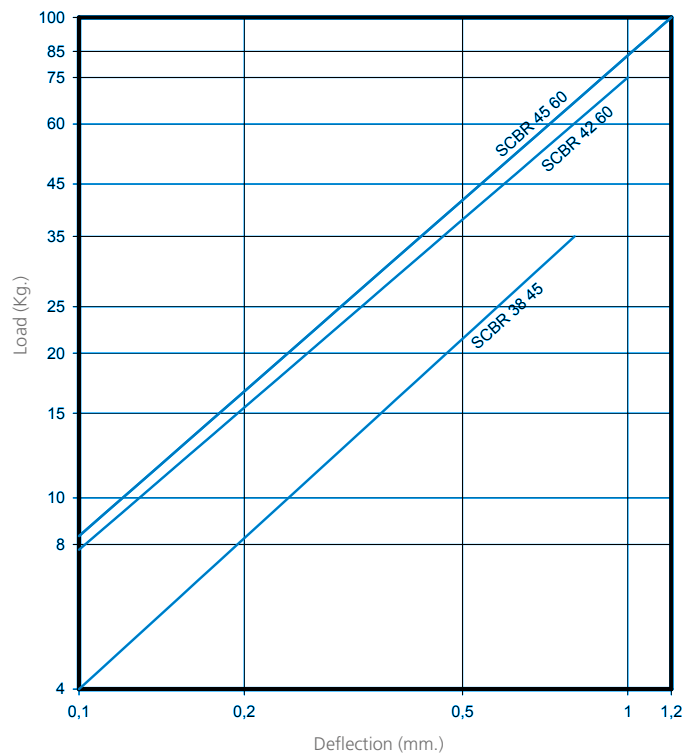
Type	A (mm)	B (mm)	C (mm)	D (mm)	F (mm)	Q (mm)	T (Max.)	T (Min.)	Weight (gr.)	WASHER	Code	Load (kg)	Shore
SCBR 38	34	19	10,75	20,75	11	20,5	5	3	30	611065	138045	35	45 Sh
SCBR 42	42	21,25	13	31,5	9,5	31,5	6	6	40	611080	138051	75	60 Sh
SCBR 45	42	25,5	10,5	31,5	10	30	11	10	56	611080	138027	100	60 Sh

Type	Øext (mm)	Øint (mm)	THICKNESS (mm)	Code	Weight (kg)
SCB 38 WASHER	38	12,5	3	611065	0,04
SCB 42 WASHER	54	12,5	3	611080	0,051
SCB 45 WASHER	54	12,5	3	611080	0,051

NATURAL FREQUENCY
AMC MECANOCAUCHO® TYPE SCBR



LOAD DEFLECTION CURVE
AMC MECANOCAUCHO® TYPE SCBR



* In order to adapt its products to the state of the art, AMC S.A. reserves the right to modify the conception and manufacture of the materials presented in this catalogue without prior notice.

ECCENTRIC BUSHINGS

DESCRIPTION

On the eccentric bushings the center points of the inner and outer cylinders are not the same. As a result it is more flexible in the direction of the main load and it keeps the same control in the other direction.

The eccentric bushing is available in two hardnesses, 45 and 60 sh.

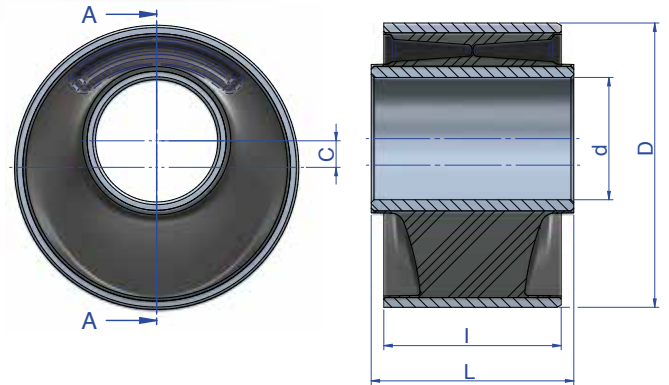
TECHNICAL CHARACTERISTICS

- Optimal vibration damping and isolation.
- Fit to use for robust and safe constructions.
- Simple installation and application.

APPLICATION

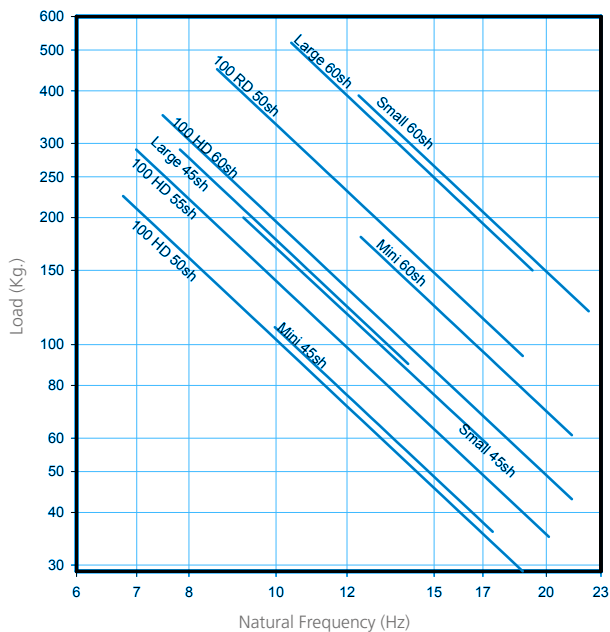
The AMC MECANOCAUCHO® eccentric bushing is best suited to the following situations and applications:

- Tilting cab suspension.
- Suspension arms.

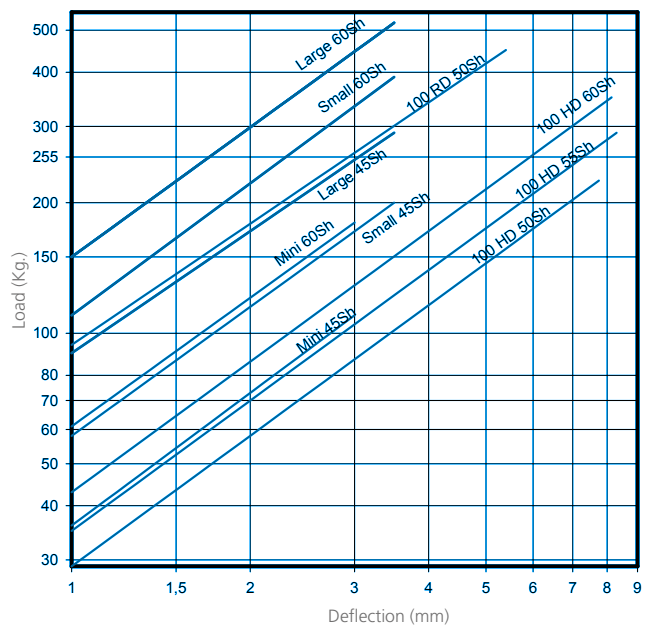


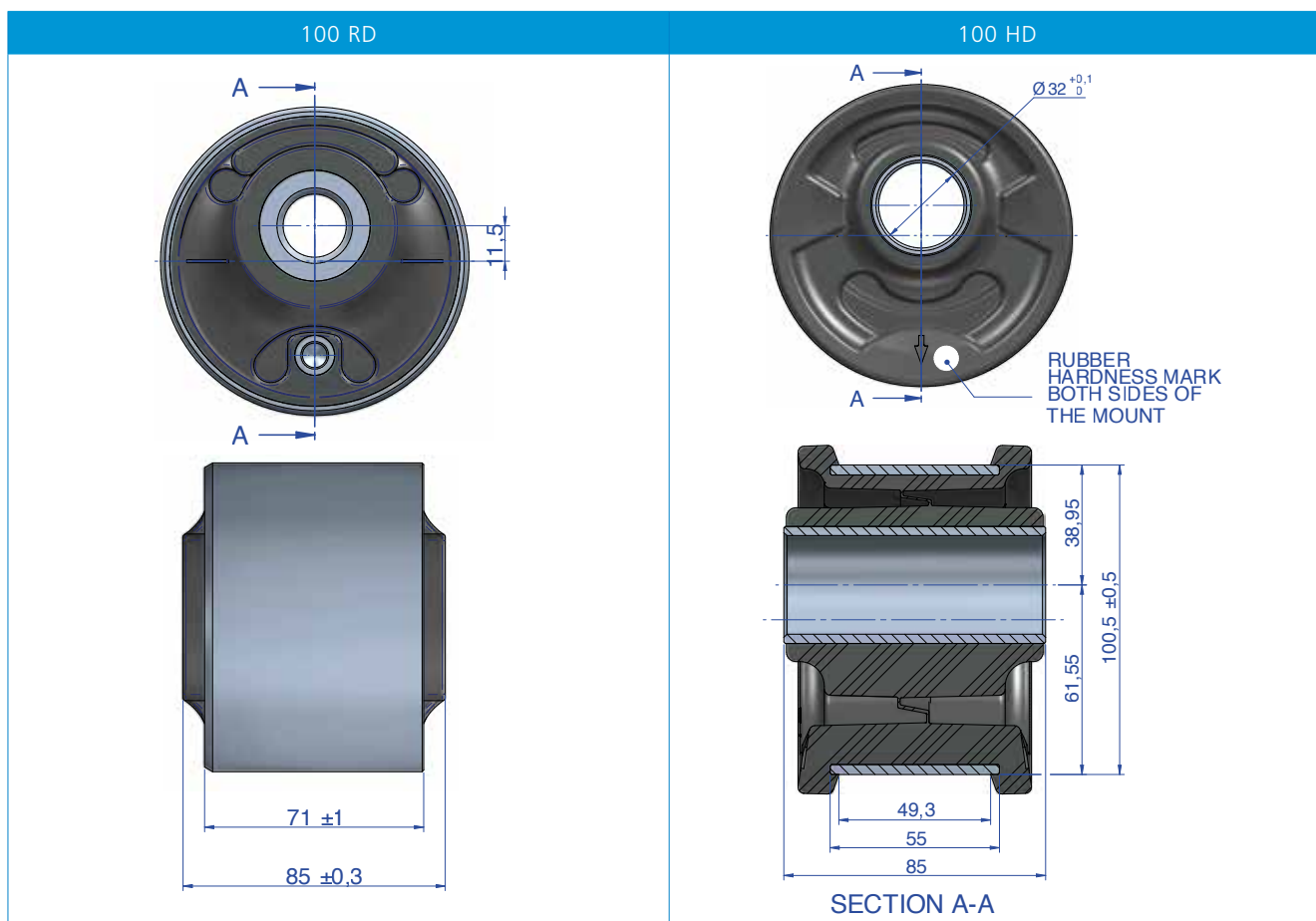
Type	d (mm)	C (mm)	D (mm)	I (mm)	L (mm)	Weight (gr.)	Code	Shore	Max. Load (kg)
MINI	16,2	6,1	48	50,5	64	311	154161	45 Sh	110
							154163	60 Sh	180
SMALL	24	10,5	75,3	50,8	68	554	154159	45 Sh	200
							154158	60 Sh	390
LARGE	43,7	9,5	101,6	63,4	72,4	1096	154154	45 Sh	290
							154155	60 Sh	510
100 HD	-	-	-	-	-	1046	154181	50 Sh	290
							154182	55 Sh	350
							154183	60 Sh	430
							154184	70 Sh	565
100 RD	-	-	-	-	-	1558	154175	50 Sh	450

NATURAL FREQUENCY
AMC MECANOCAUCHO® ECCENTRIC BUSHING



LOAD DEFLECTION GRAPH
AMC MECANOCAUCHO® ECCENTRIC BUSHING





SCH

DESCRIPTION

The AMC MECANOCAUCHO® SCH type mounts are made of two parts of rubber, one of which bears an inside metal bushing which acts as a guide through the machine anchoring screw.

It is installed pre-compressed on the actual machine frame, whose thickness "T" determines the degree of precompression.

TECHNICAL CHARACTERISTICS

This antivibration mount is ideal for applications of major dynamic loads where movement control is necessary, such as in the cabins of all types of mobile vehicles. It also offers optimal stability, as well as good attenuation of impacts and vibrations.

APPLICATIONS

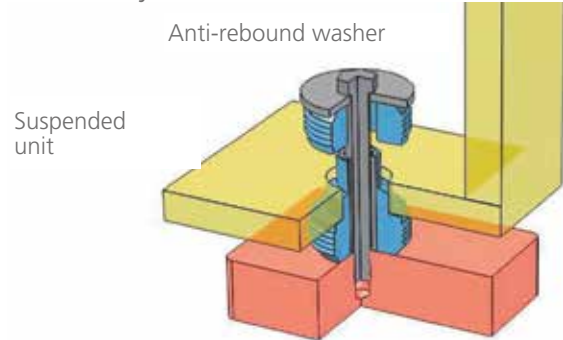
- Vehicle cabins.
- Public works and agricultural vehicles, etc.

ASSEMBLY INSTRUCTIONS

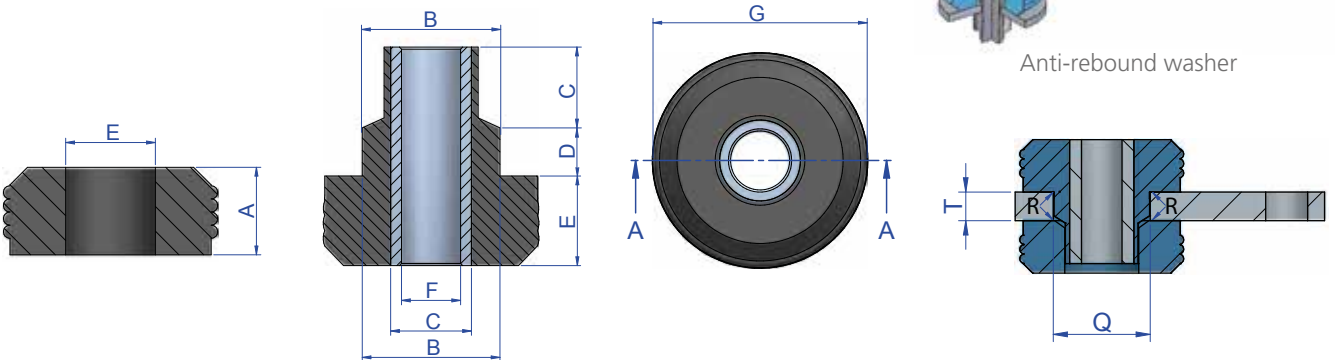
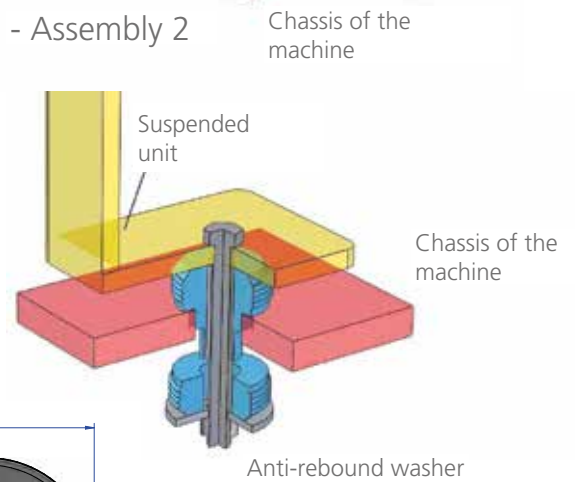
The SCH mounts should be assembled according to the following installation instructions. There are two possible configurations, see assembly 1 and assembly 2, for which the recommendations given in the following chart must be observed. They can be installed in plates of different thicknesses according to the T_{max} and T_{min} values given in the table at the bottom. The Load vs. Deformation curves will vary according to the thickness of the plate on which the mount is to be installed.



- Assembly 1



- Assembly 2



Washers should be used, if the rubber surface is not covered with the contact surface.
Washers upon request.

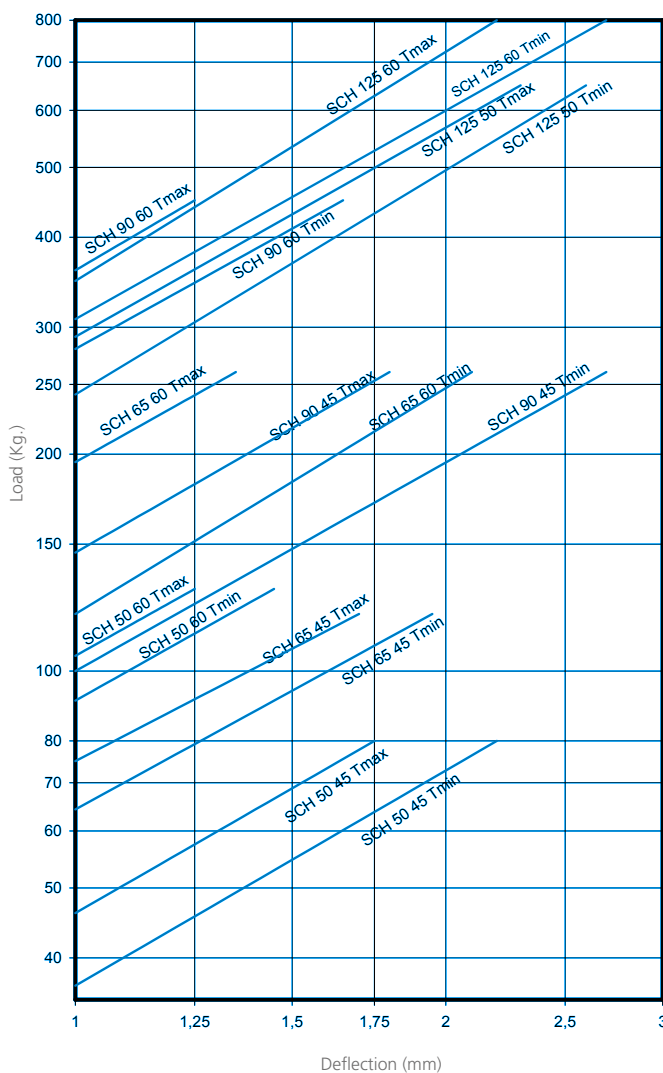
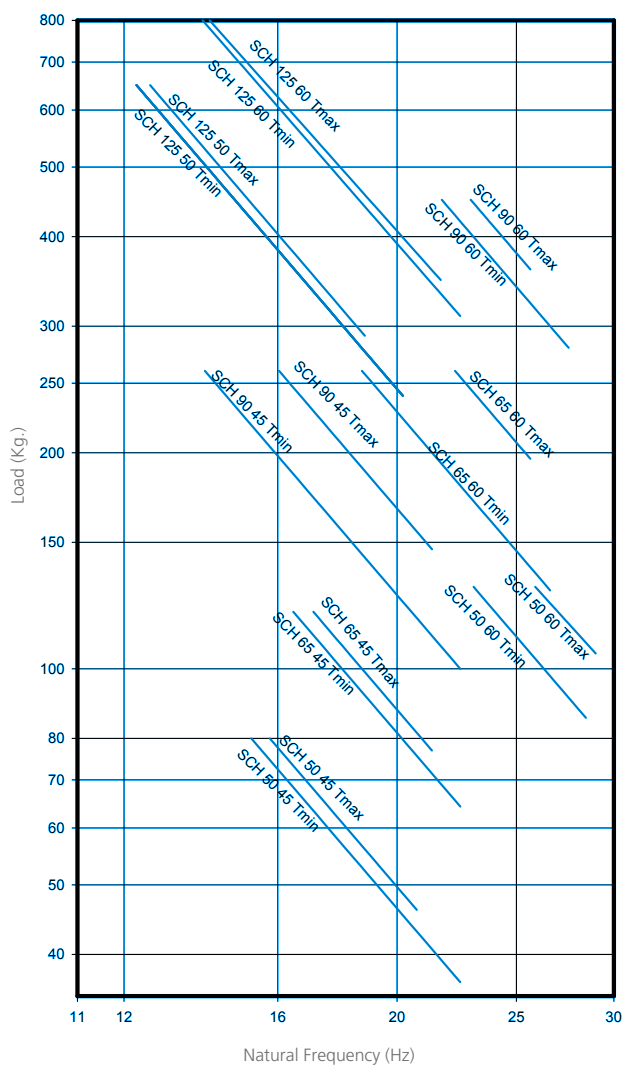
Type	A (mm)	B (mm)	C (mm)	D (mm)	E (mm)	F (mm)	G (mm)	Q (mm)	T (Max.) (mm)	T (Min.) (mm)	Weight (gr.)	R (mm)	Code	Shore	Max. Load (kg)
SCH 50	20	31	19,5	10,5	20	13,5	49	30,5	14	12,5	153	1,5	138501	45 Sh	80
													138504	60 Sh	130
													138522	75 Sh	210
SCH 65	23	39,5	24	15	23	17	63,5	38,5	22	19	350	2,5	138502	45 Sh	120
													138505	60 Sh	260
SCH 90	25	58	31	17	25	23	88	57	29	25	675	3	138503	45 Sh	260
													138506	60 Sh	450
SCH 125	32	64,5	32,5	22	32	27	125,5	64	32	25	1440	3	138514	50 Sh	650
													138515	60 Sh	800

Type	Code	Weight (kg)	Øext (mm)	Øint (mm)	THICKNESS (mm)
SCH 50 WASHER	611080	0,051	54	12,5	3
SCH 65 WASHER	606130	0,125	67	16,5	5
SCH 90 WASHER	608101	0,31	96	22	6
SCH 125 WASHER	610123	0,58	125	25	8



NATURAL FREQUENCY
AMC MECANOCAUCHO® SCH TYPE

LOAD DEFLECTION GRAPH
AMC MECANOCAUCHO® SCH TYPE



SCHR

DESCRIPTION

The AMC MECANOCAUCHO® SCHR type mounts are made of two parts of rubber, one of which bears an inside metal bushing which acts as a guide through the machine anchoring screw. It is installed pre-compressed on the actual machine frame, whose thickness "T" determines the degree of precompression.

Moreover it contains a metallic part, that avoids a premature wear by friction between the rubber and the housing of the mount.

TECHNICAL CHARACTERISTICS

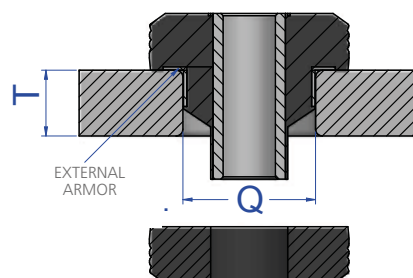
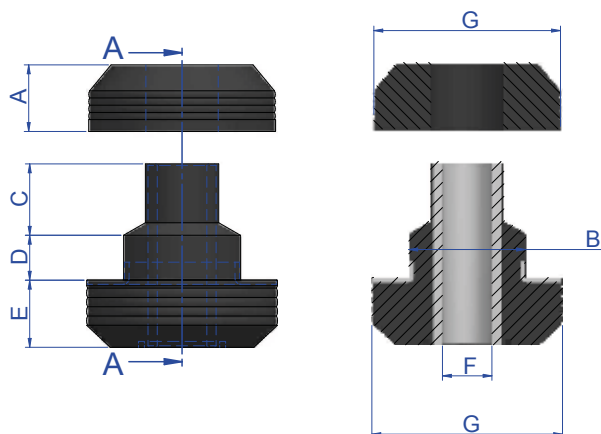
This antivibration mount is ideal for applications of major dynamic loads where movement control is necessary, such as in the cabins of all types of mobile vehicles. It also offers optimal stability, as well as good attenuation of impacts and vibrations.

APPLICATIONS

- Vehicle cabins
- Public works and agricultural vehicles, etc.

ASSEMBLY INSTRUCTIONS

The SCHR mounts should be assembled according to the following installation instructions. There are two possible configurations, see assembly 1 and assembly 2, for which the recommendations given in the following chart must be observed. They can be installed in plates of different thicknesses according to the Tmax and Tmin values given in the table at the bottom. The Load vs. Deformation curves will vary according to the thickness of the plate on which the mount is to be installed.

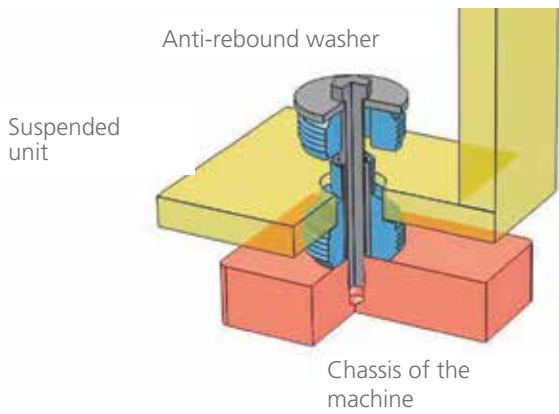


Type	A (mm)	B (mm)	C (mm)	D (mm)	E (mm)	F (mm)	G (mm)	Q (mm)	T (Max.)	T (Min.)	Weight (gr.)	Code	Shore	Max. Load (kg)
SCHR 35	11	20,1	11	4	11	8	34,5	20,4	6	6	42	138621	45 Sh	40
												138623	60 Sh	80
SCHR 50	20	31,7	19,5	10,5	20	13,5	49	31,8	14	12,5	153	138535	45 Sh	80
												138534	65 Sh	150
SCHR 65	23	39,5	24	15	23	16,75	64,5	40	22	19	269	138551	50 Sh	160
												138552	65 Sh	300
SCHR 90	25	56,5	31	17	25	23	88	57	29	25	675	138547	45 Sh	260
												138548	60 Sh	450
SCHR 125	32	65,4	32	22	32	27	125,5	65,8	32	25	1440	138216	50 Sh	650
												138217	60 Sh	800
SCHR 140	35	70	31	13	35	31	140	71	20	20	1900	138508	45 Sh	700
												138510	60 Sh	2000

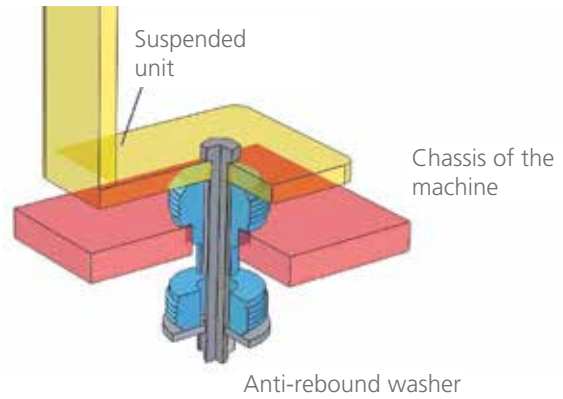
Washers should be used, if the rubber surface is not covered with the contact surface.
Washers upon request.

Type	Code	Weight (kg)	Øext (mm)	Øint (mm)	THICKNESS (mm)
SCHR 35	610053	0,03	38	8,5	2
SCHR 50	611080	0,051	54	13,5	3
SCHR 65	606130	0,125	67	16,5	5
SCHR 90	608101	0,31	96	22	6
SCHR 125	610123	0,58	145	25	8
SCHR 140	608115	1,251	145	30	10

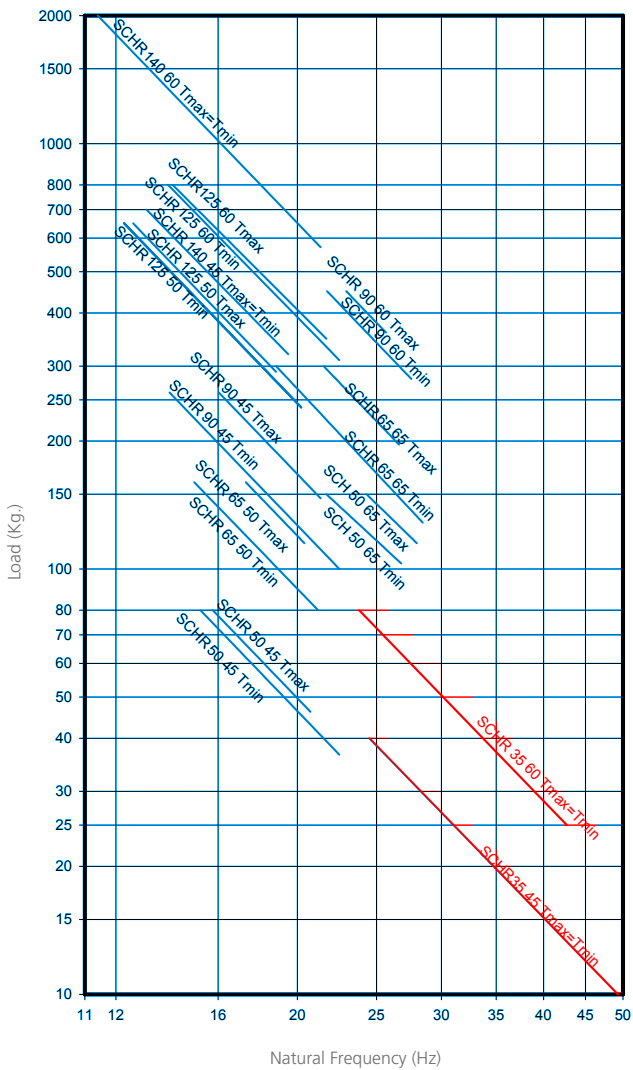
- Assembly 1



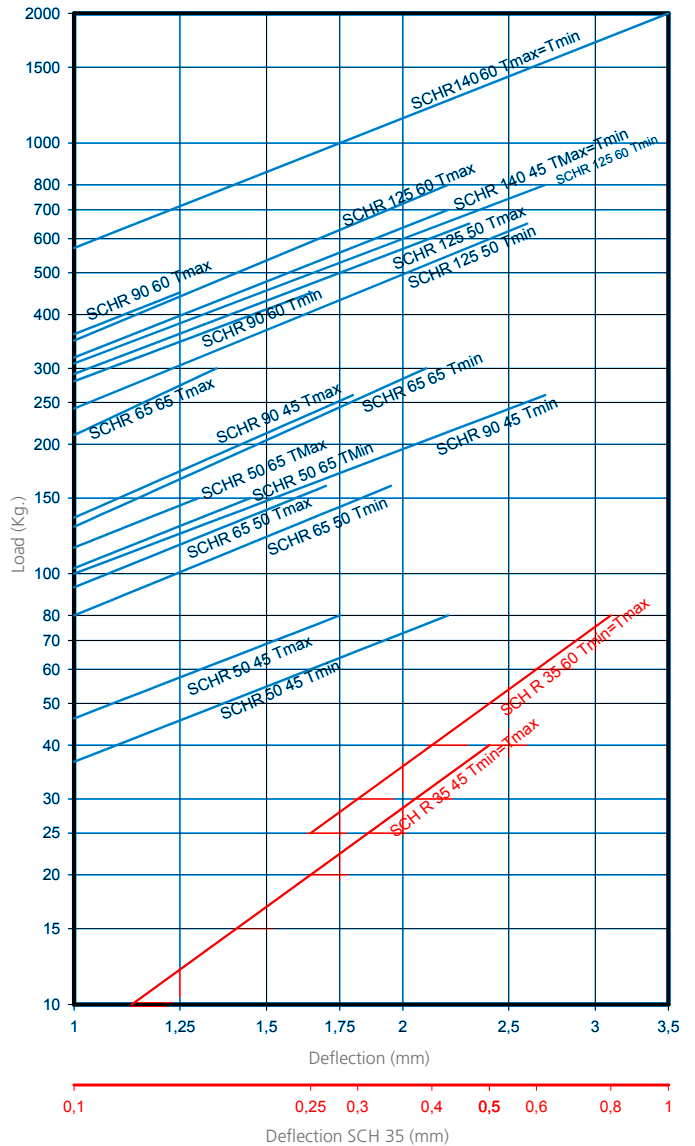
- Assembly 2



NATURAL FREQUENCY
AMC MECANOCAUCHO® SCHR TYPE



LOAD DEFLECTION GRAPH
AMC MECANOCAUCHO® SCHR TYPE



* In order to adapt its products to the state of the art, AMC S.A. reserves the right to modify the conception and manufacture of the materials presented in this catalogue without prior notice.

DSD

DESCRIPTION

AMC MECANOCAUCHO® DSD mounts design provides excellent radial and axial flexibility making them most suitable for the suspension of machines where isolation of both vertical and horizontal vibration components occur.

DSD mounts comprise of two flat metal parts. Top metal part is circular with either a tapped central hole or interior welded nut for attachment to the machine frames. Lower metal part has an oval contour with two machined holes, one at each end, to securely attach the mountings to the support structure for the machine.

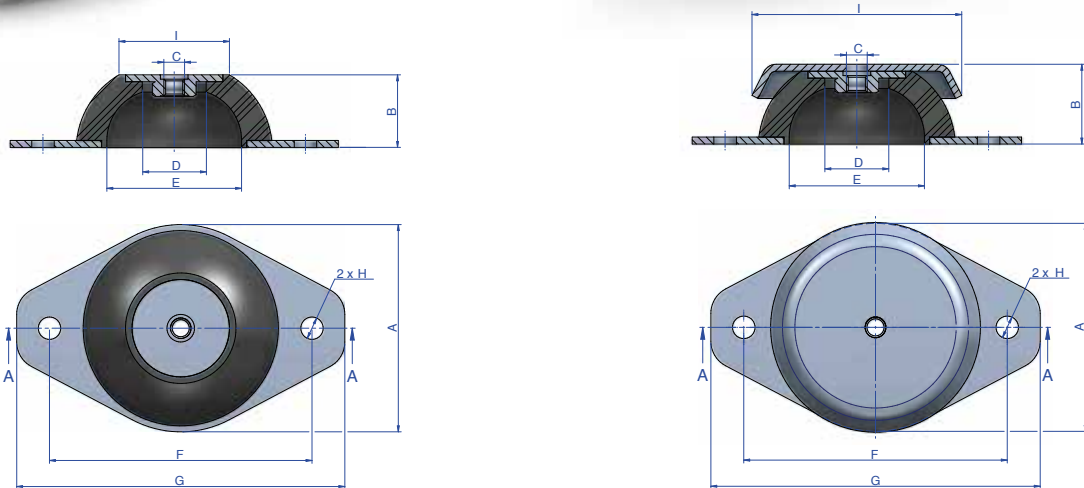
TECHNICAL CHARACTERISTICS

DSD mountings comparable stiffness vertically and horizontal making them very effective against random vibrations in either plane.

APPLICATIONS

DSD mountings are particularly suitable for applications with low to medium dynamic amplitudes which enables the mountings stiffness rates to provide effective isolation .

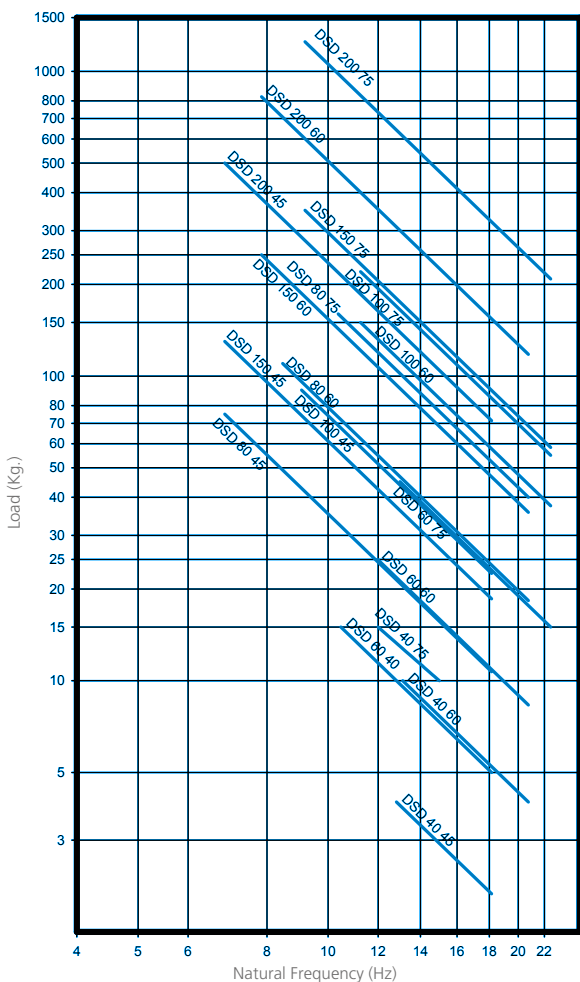
Suitable for HVAC, Ventilators, rotating pumps, torque or frequency converters, electrical engines, etc.



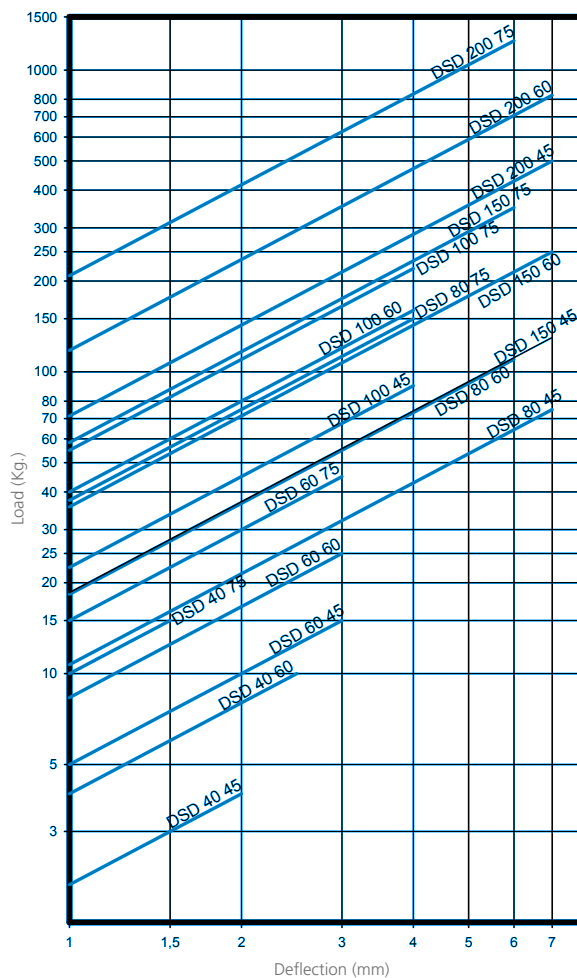
Type	A (mm)	B (mm)	C (mm)	D (mm)	E (mm)	F (mm)	G (mm)	H (mm)	I (mm)	Weight (gr.)	Code	Load (kg)	Shore
DSD 40 + Bell	43	19	M-6	19	29	52	64	6,25	40	48	134028	4	45 Sh
											134029	10	60 Sh
											134030	15	75 Sh
											134031	15	45 Sh
DSD 60 + Bell	60	23	M-6	14	39	76	95	6,5	60,5	128	134032	25	60 Sh
											134033	45	75 Sh
											134034	75	45 Sh
											134035	110	60 Sh
DSD 80 + Bell	86	27	M-8	25	65	100	120	8,5	85	232	134036	150	75 Sh
											134037	90	45 Sh
											134038	160	60 Sh
											134039	220	75 Sh
DSD 100 + Bell	100	28	M-10	22	67	124	149	10,5	103,5	465	134040	130	45 Sh
											134041	250	60 Sh
											134042	350	75 Sh
											134043	500	45 Sh
DSD 150 + Bell	150	37	M-14	34	114	182	214	12	155	1110	134044	825	60 Sh
											134045	1250	75 Sh

Type	A (mm)	B (mm)	C (mm)	D (mm)	E (mm)	F (mm)	G (mm)	H (mm)	I (mm)	Weight (gr.)	Code	Load (kg)	Shore
DSD 40	43	17	M-6	19	29	52	64	6,25	24,5	28	134001	4	45 Sh
											134002	10	60 Sh
											134003	15	75 Sh
											134004	15	45 Sh
DSD 60	60	21	M-6	14	39	76	95	6,5	32	73	134005	25	60 Sh
											134006	45	75 Sh
											134007	75	45 Sh
											134008	110	60 Sh
DSD 80	86	25	M-8	25	65	100	120	8,5	51	130	134009	150	75 Sh
											134010	90	45 Sh
											134011	160	60 Sh
											134012	220	75 Sh
DSD 100	100	25	M-10	22	67	124	149	10,5	54	262	134013	130	45 Sh
											134014	250	60 Sh
											134015	350	75 Sh
											134016	500	45 Sh
DSD 150	150	34	M-14	34	114	182	214	12	76	664	134017	825	60 Sh
											134018	1250	75 Sh

NATURAL FREQUENCY
AMC MECANOCAUCHO® DSD TYPE



LOAD DEFLECTION GRAPH
AMC MECANOCAUCHO® DSD TYPE



* In order to adapt its products to the state of the art, AMC S.A. reserves the right to modify the conception and manufacture of the materials presented in this catalogue without prior notice.

DRD

DESCRIPTION

The AMC MECANOCAUCHO® type DRD mounts have a low axial and radial stiffness rate. Their design makes them ideal for those machines that produce vibrations in the 3 directions. The architecture of these mounts is similar to the DSD, but the rubber section is greater, this feature makes them have a lower stiffness rates than the DSD mounts. These mounts are particularly interesting for those applications where an extra isolation is needed.

OPERATION AND ASSEMBLY

The design of the mount allows an easy installation. The top metal part has an inside thread for securing to the machine, the baseplate has 2/4 holes that allow an easy fixation to the frame. Oil anti-drip hoods can be supplied on demand.

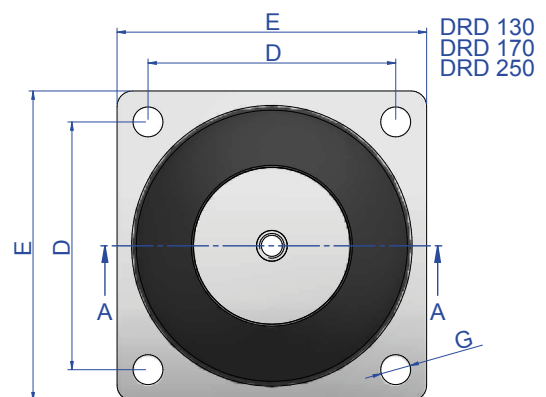
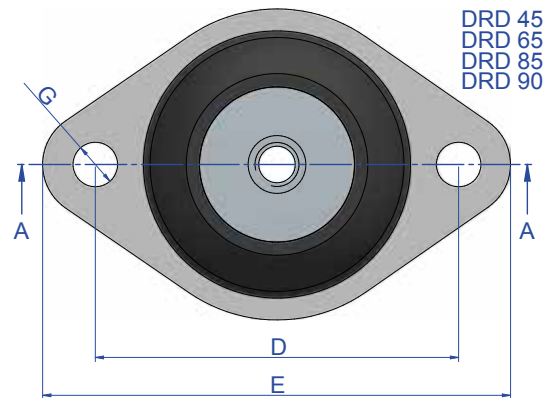
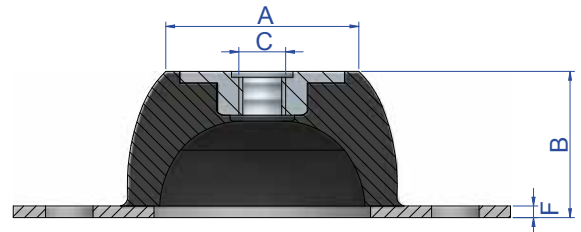
The DRD mounts by MECANOCAUCHO® have the following characteristics.

- The metal parts are protected from corrosion by an electrolytic coating for outdoor work. RoHs compliant.
- We engrave the rubber hardness on the metal parts.

APPLICATIONS

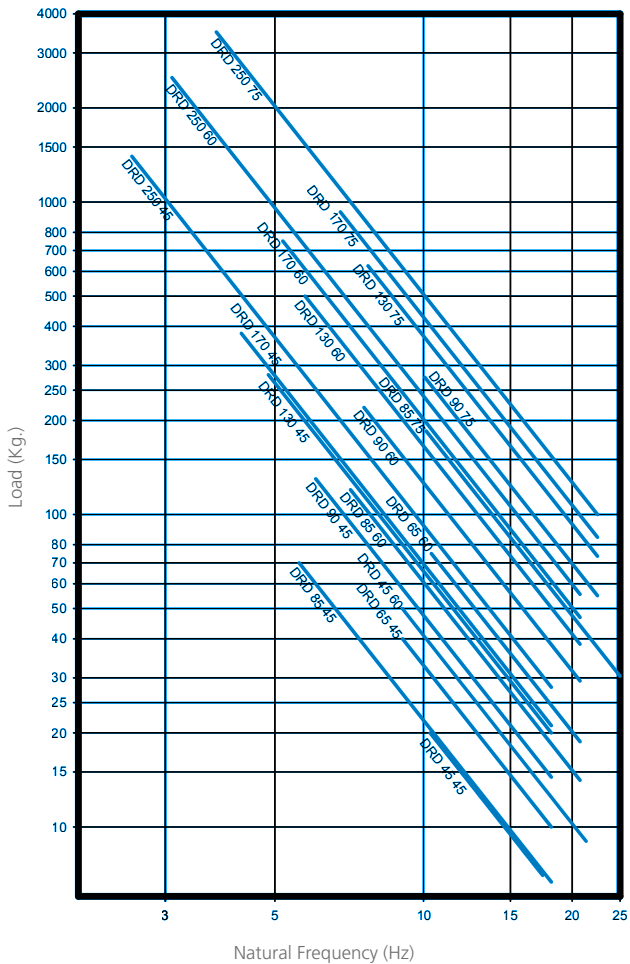
The DRD mounts are ideal for light machines at medium or low excitation frequencies.

- Compressors.
- Air-conditioners.
- Ventilators.
- Vibrating Tables.

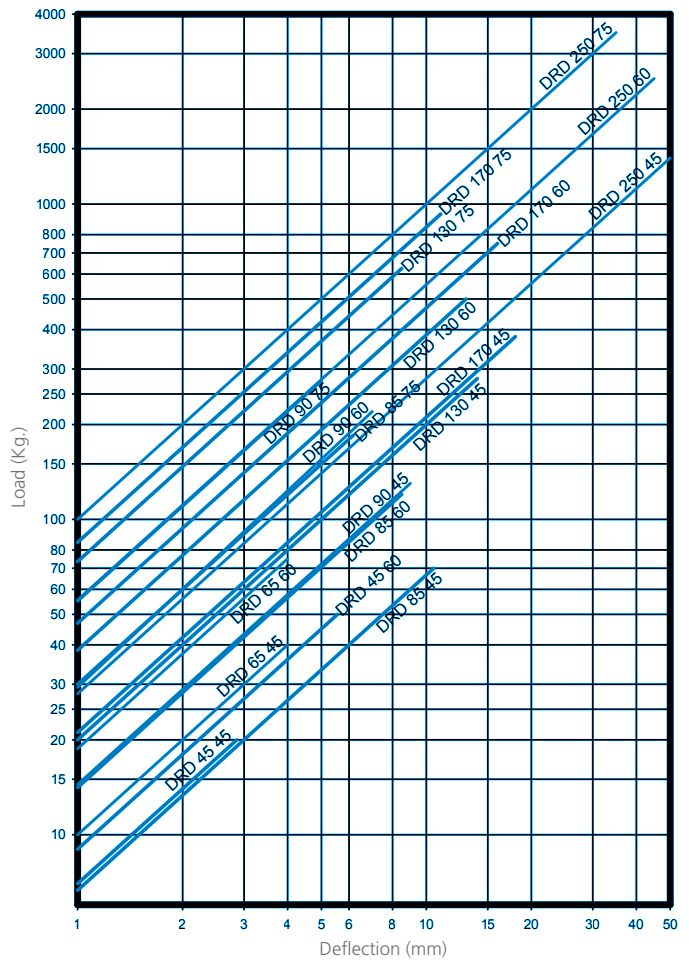


Type	A (mm)	B (mm)	C (mm)	D (mm)	E (mm)	F (mm)	G (mm)	Weight (gr.)	Code	Load (kg)	Shore
DRD 45	33	25	M-8	66	85	2	8	70	175081	20	45 Sh
									175083	50	60 Sh
DRD 65	52	35	M-10	92	114	2,5	10,5	170	175001	40	45 Sh
									175002	75	60 Sh
DRD 85	52	40	M-10	110	136	3	11,5	303	175003	75	45 Sh
									175004	120	60 Sh
									175013	185	75 Sh
DRD 90	57,5	45	M-10	125	150	3	12,5	430	175021	130	45 Sh
									175022	220	60 Sh
									175023	275	75 Sh
DRD 130	78	63	M-12	120	150	5	14,5	1080	175031	280	45 Sh
									175032	500	60 Sh
									175033	625	75 Sh
DRD 170	100	84	M-16	160	200	4	14,5	2390	175036	380	45 Sh
									175037	750	60 Sh
									175038	930	75 Sh
DRD 250	187	158	M-24	250	310	6	18,5	10400	175041	1400	45 Sh
									175042	2500	60 Sh
									175044	3150	75 Sh

NATURAL FREQUENCY
AMC MECANOCAUCHO® DRD TYPE



LOAD DEFLECTION GRAPH
AMC MECANOCAUCHO® DRD TYPE



* In order to adapt its products to the state of the art, AMC S.A. reserves the right to modify the conception and manufacture of the materials presented in this catalogue without prior notice.

MD

DESCRIPTION

The AMC MECANOCAUCHO® MD-type mounts have similar architecture to the BSB and BRB. The advantage of this mount is that it is a high-damping elastic compound.

Its special mix affords it a high degree of antivibration isolation and offers great stability to suspended equipment.

TECHNICAL CHARACTERISTICS

- Metal hood that protects the part from possible oil splashes.
- It has an electrolytic coating that protects the part from corrosion.
- They have an interlocking metal component that provides a fail-safe protection for mobile applications. This device limits the ascending vertical movement when the mounting is submitted to shocks at traction.

APPLICATIONS

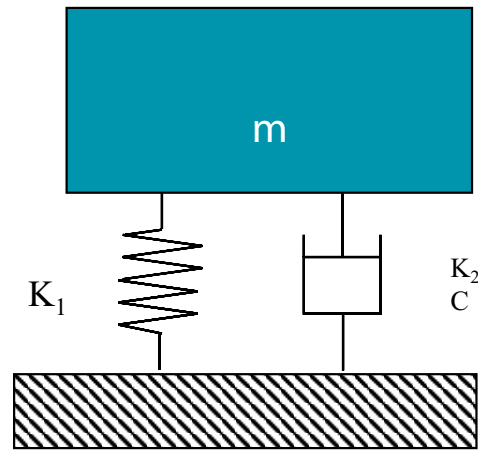
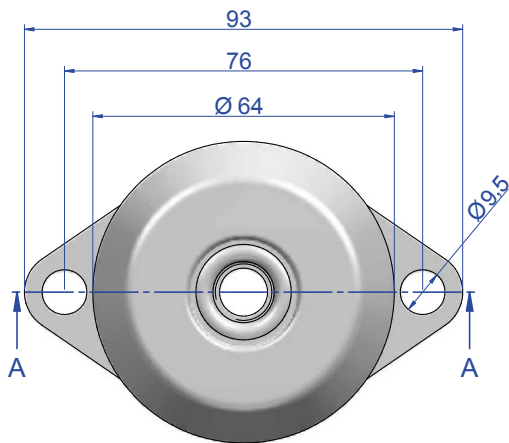
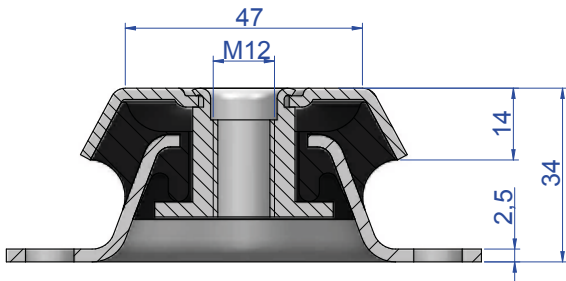
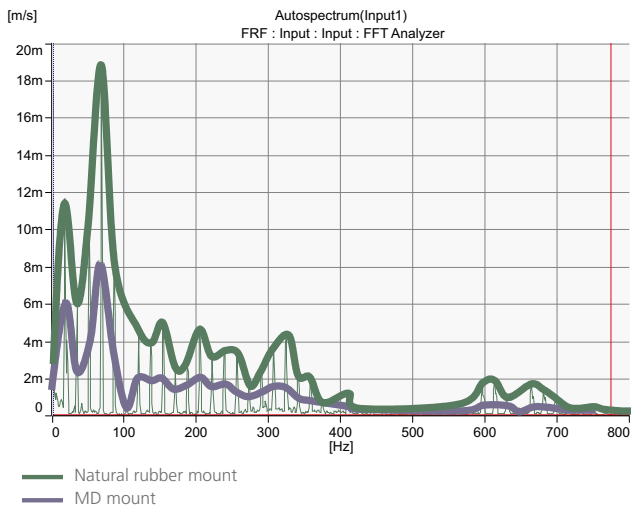
This mount has been specially designed to insulate engines that produce high-amplitude vibrations.

Engines from 1 to 3 cylinders, Motor Pumps, Gen Sets, Compressors, Ventilators...



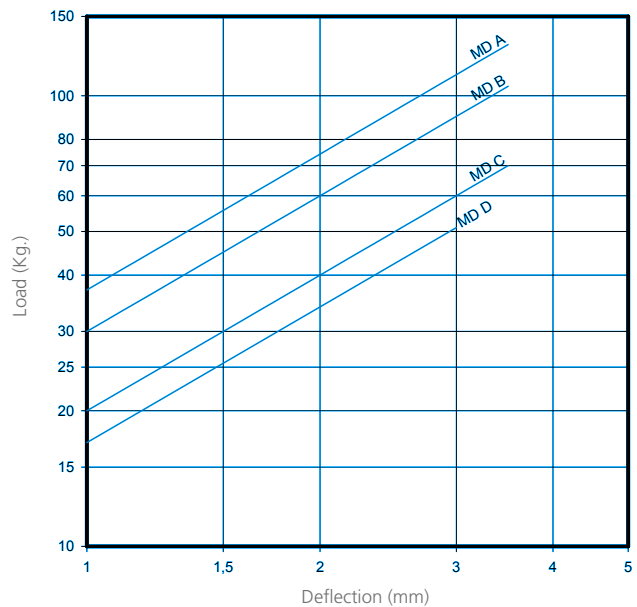
It is a very suitable mount for engines where it is not physically possible to install the antivibration mounts at the same height as the crankshaft.

VIBRATION LEVEL MEASURED IN THE ENGINE



K_1 = Main stiffness - K_2 = Secondary stiffness
C= Damping coefficient - m= Mass

AMC LOAD DEFLECTION GRAPH
MECANOCAUCHO® MD TYPE



Type	Load (kg)	Weight (gr.)	Code
A	130	238	135210
B	105	238	135212
C	70	238	135213
D	50	238	135219

AT

DESCRIPTION

AMC MECANOCAUCHO® AT mounts are specifically designed to provide isolation for medium to high frequency applications.

The rubber section is fully bonded to two concentric tubular parts. The inner metal is a plain tube design. The outer metal part is also mainly tubular but has a manufacturing process Flanged effect at one end with a variation in the number of attachment holes.

TECHNICAL CHARACTERISTICS

Type AT mounts have a radial to axial ratio of 4:1, thus providing good horizontal stability.

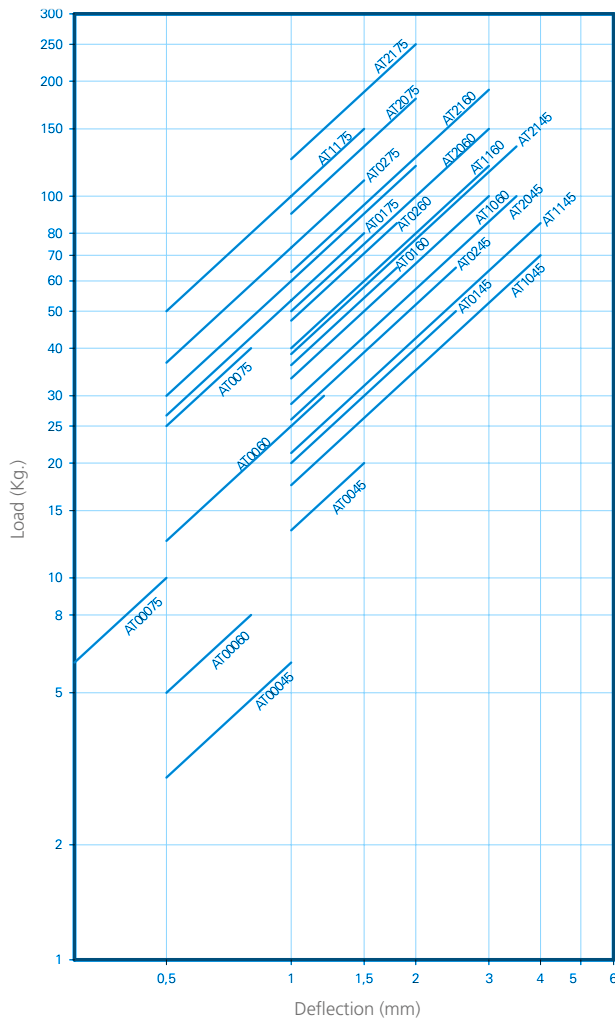
It is manufactured in three hardnesses to facilitate the choice of the most suitable mount (Soft: hardness A 45, Medium sized: hardness B 60 and Hard: hardness C 75).

APPLICATIONS

The AT elastic mounts can be used to great advantage for the vibration isolation of engines, piston compressors, presses, electric transformers, mobile units, machines, on concrete buttresses, etc.



NATURAL FREQUENCY
AMC MECANOCAUCHO® AT 000-21 TYPE



LOAD DEFLECTION GRAPH
AMC MECANOCAUCHO® AT 30-81 TYPE

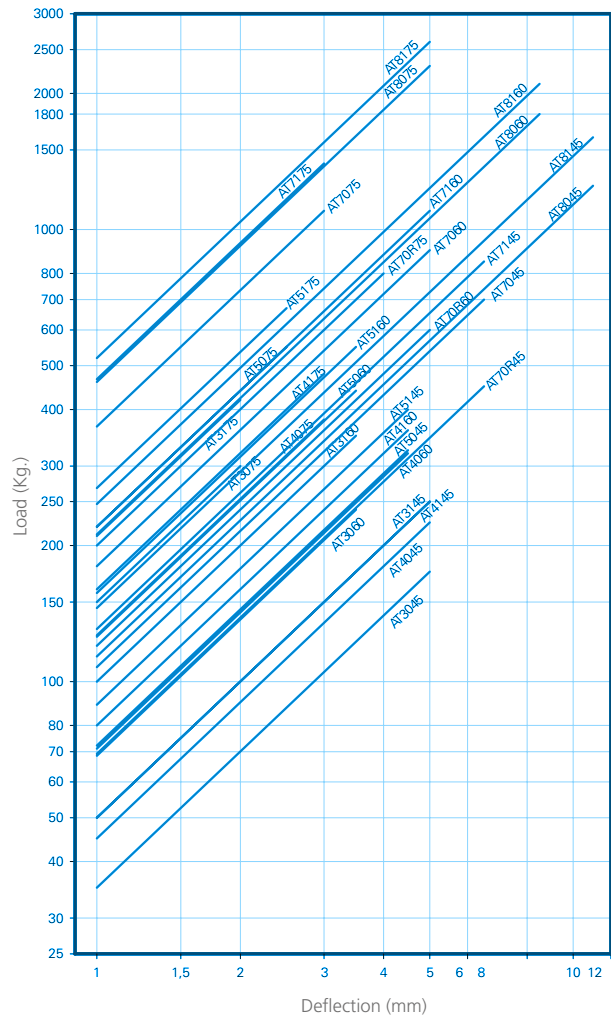


Fig. 1

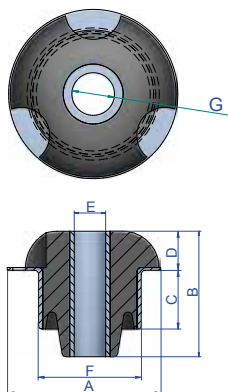


Fig. 2

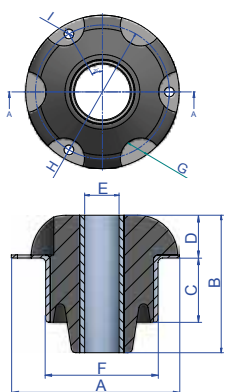


Fig. 3

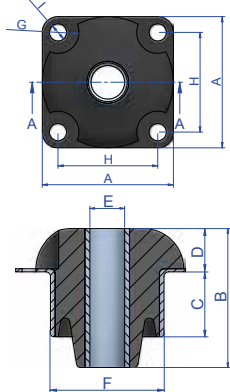
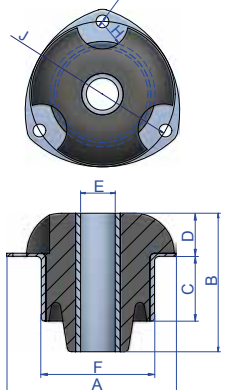
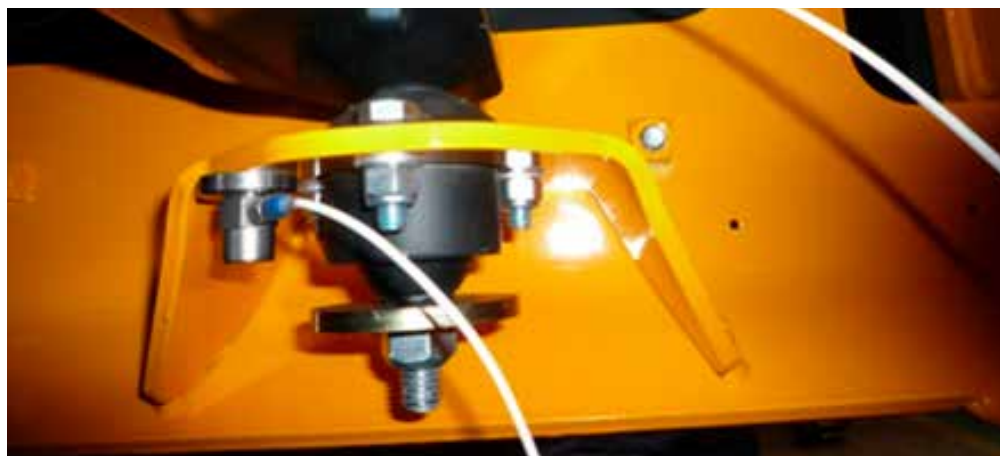


Fig. 4



Type	A (mm)	B (mm)	C (mm)	D (mm)	E (mm)	F (mm)	G (mm)	H (mm)	I (mm)	J (mm)	Weight (gr.)	FIG.	Code	Load (kg)	Shore
AT 000	25	11	3	6,5	6,4	20	4	19	3,2		8	3	132171	6	45 Sh
													132172	8	60 Sh
													132173	10	75 Sh
AT 00	36	28	12	11,5	8,2	26	12	26	5,2		39	3	132101	20	45 Sh
													132102	30	60 Sh
													132103	40	75 Sh
AT 01	48	40	18	18	12,1	37,5	8	-	-		138	1	-	50	45 Sh
													-	65	60 Sh
													-	80	75 Sh
AT 02	48	51	24	18	12,1	37,6	8	-	-		144	1	132104	65	45 Sh
													132105	85	60 Sh
													132106	110	75 Sh
AT 10	60	47	18	19	12,2	49	11	69	8,2	73	250	4	132175	70	45 Sh
													132176	100	60 Sh
													132177	120	75 Sh
AT 11	60	60	30,5	19	12,2	49	11	69	8,2	73	250	4	132107	85	45 Sh
													132108	120	60 Sh
													132109	150	75 Sh
AT 20	71	55	27,5	19	18,3	55,7	10	-	-		344	1	132110	100	45 Sh
													132111	150	60 Sh
													132112	180	75 Sh
AT 21 round	70	70	38,5	20,7	18,3	55,7	10	80	8,5	86	437	1	132113	135	45 Sh
													132114	190	60 Sh
													132115	250	75 Sh
AT 21 lugs	70	70	38,5	20,7	18,3	55,7	10	80	8,5	86	437	4	132116	135	45 Sh
													132117	190	60 Sh
													132118	250	75 Sh
AT 30	91	75	29	28	20,2	65	16	78	8,5		522	2	132119	175	45 Sh
													132131	240	60 Sh
													132132	300	75 Sh
AT 31 round	90	95	47	28	20,2	65	16	95	8,5		775	1	132133	250	45 Sh
													132134	350	60 Sh
													132135	420	75 Sh
AT 31 lugs	90	95	47	28	20,2	65	16	95	8,5	107	780	4	132136	250	45 Sh
													132137	350	60 Sh
													132138	420	75 Sh
AT 40 round	100	90	42	28	22,2	74	18	100	8,5	112	789	1	132139	225	45 Sh
													132140	320	60 Sh
													132141	380	75 Sh
AT 40 lugs	100	90	42	28	22,2	74	18	100	8,5	102.9	895	4	132142	225	45 Sh
													132143	320	60 Sh
													132144	380	75 Sh
AT 41 round	100	110	49	28	22,2	74	18	100	8,5	112	895	1	132145	250	45 Sh
													132146	360	60 Sh
													132147	480	75 Sh
AT 41 lugs	100	110	49	28	22,2	74	18	100	8,5	112	900	4	132148	250	45 Sh
													132149	360	60 Sh
													132161	480	75 Sh
AT 50	120	100	47	33	40,2	86	20	114	8,5		1305	4	-	325	45 Sh
													-	440	60 Sh
													-	550	75 Sh
AT 51	120	120	63	53	40,2	86	20	104	10,5		1494	2	-	400	45 Sh
													-	440	60 Sh
													-	670	75 Sh
AT 70 lower	163,5	97	36	43,5	60,2	118	22	145	10,5		3124	2	132162	450	45 Sh
													132163	600	60 Sh
													132164	800	75 Sh
AT 70	163,5	140	66	46	60,2	118	22	145	10,5		3124	2	132165	700	45 Sh
													132166	900	60 Sh
													132167	1100	75 Sh
AT 71	163,5	170	96	46	60,2	118	22	145	10,5		3790	2	132168	850	45 Sh
													132169	1100	60 Sh
													132170	1400	75 Sh
AT 80	230	167	95	53	80	170	30	204	12,2		7096	2	-	1250	45 Sh
													-	1800	60 Sh
													-	2300	75 Sh
AT 81	230	185	113	53	80	170	30	204	12,2		7702	2	-	1600	45 Sh
													-	2100	60 Sh
													-	2600	75 Sh



ATP

DESCRIPTION

AMC MECANOCAUCHO® ATP type mounts have been designed to provide effective vibration isolation of medium to high frequency applications in a variety of industrial machinery, gensets, motor pumps, motor compressors, hydraulic units, etc.

The top metal part is cup shaped to protect the rubber section from contamination by oil, grease, petrol, diesel, dust, etc.

TECHNICAL CHARACTERISTICS

The compound used is based on a standard natural rubber specifically designed to have good ageing properties.

Figure 1

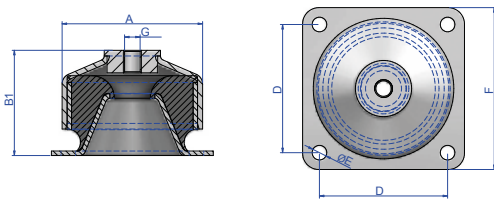
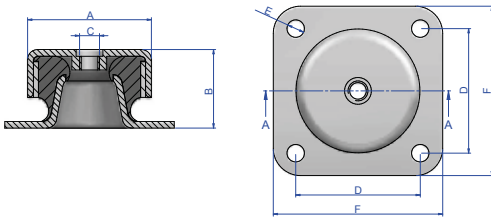


Figure 2



Load capacities shown in catalogue are the maximum Static values with the capability of withstanding occasional extreme dynamic overloads.

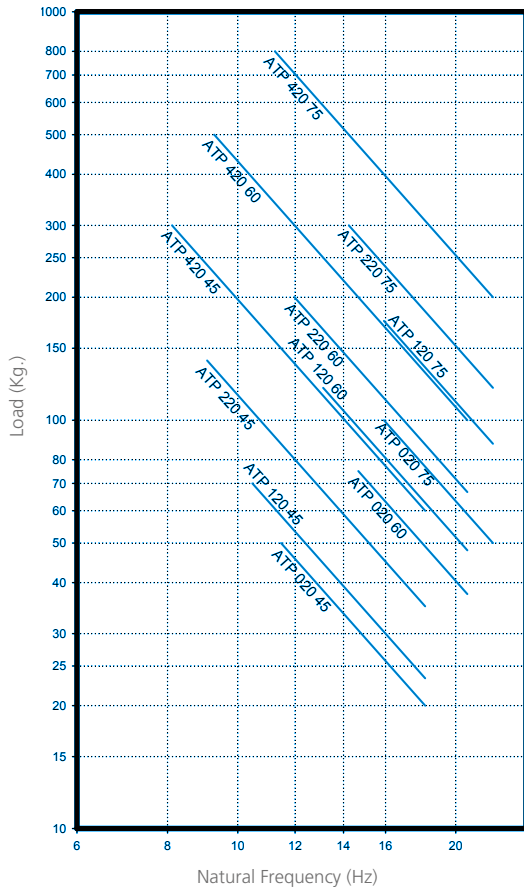
ATP mounts have stiffness values 4 times greater in the radial plane than the axial plane, providing effective resistance to transient lateral shock loads.

APPLICATIONS

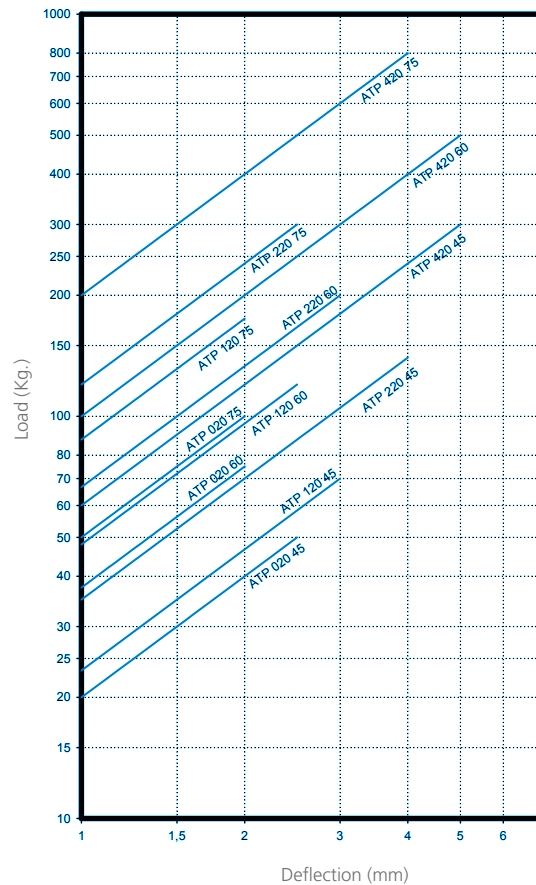
Suspension systems where it is deemed necessary to control any Pitching or Rolling movement which could strain external connections. • Medium and high frequency motor compressor units. • Gen sets. • Hydraulic Units. • Marine auxiliary units. • Ventilators, etc.

Type	A (mm)	B (mm)	C (mm)	D (mm)	E (mm)	F (mm)	G (mm)	Weight (gr.)	B1	Code	Load (kg)	Shore	FIG.
ATP 020	49,7	31,5	M-8	50	7	68	16	143	-	133101	50	45 Sh	2
										133102	75	60 Sh	2
										133103	100	75 Sh	2
										133104	70	45 Sh	2
ATP 120	73,6	43	M-10	72,2	9,2	90	32	379	53	133105	120	60 Sh	2
										133106	175	75 Sh	2
										133151	70	45 Sh	1
										133152	120	60 Sh	1
ATP 220	91	53	M-12	90	11	114,2	36	618	63	133153	175	75 Sh	1
										133107	140	45 Sh	2
										133108	200	60 Sh	2
										133109	300	75 Sh	2
ATP 420	124,5	75	M-16	114	13	144	60	1510	94	133154	140	45 Sh	1
										133155	200	60 Sh	1
										133156	300	75 Sh	1
										133110	300	45 Sh	2
										133111	500	60 Sh	2
										133112	800	75 Sh	2
										133157	300	45 Sh	1
										133158	500	60 Sh	1
										133159	800	75 Sh	1

NATURAL FREQUENCY
AMC MECANOCAUCHO® ATP TYPE



LOAD DEFLECTION GRAPH
AMC MECANOCAUCHO® ATP TYPE



SPS

DESCRIPTION

AMC MECANOCAUCHO® SPS type mounts are comprised of two pressed metal parts. A cup shaped Top Cap and a pressed steel inverted cup shaped base, two moulded rubber sections are assembled to the metal parts and secured by means of a swaged centre insert which is threaded.

TECHNICAL CHARACTERISTICS

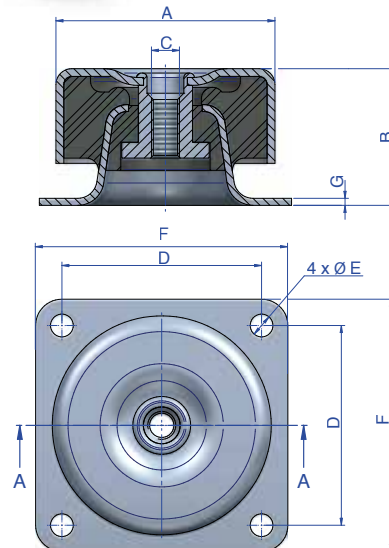
Due to the design, SPS mounts can work with compression and tensile loads, isolating effectively using the friction of the rubber section with the surfaces of the assembled metal parts. It is most effective in applications where high frequency vibrations are predominant.

Various rubber compounds are available for insertion depending upon the applications to be considered, high temperatures, oil and diesel resistance, and ageing resistance against Ozone attack.

APPLICATIONS

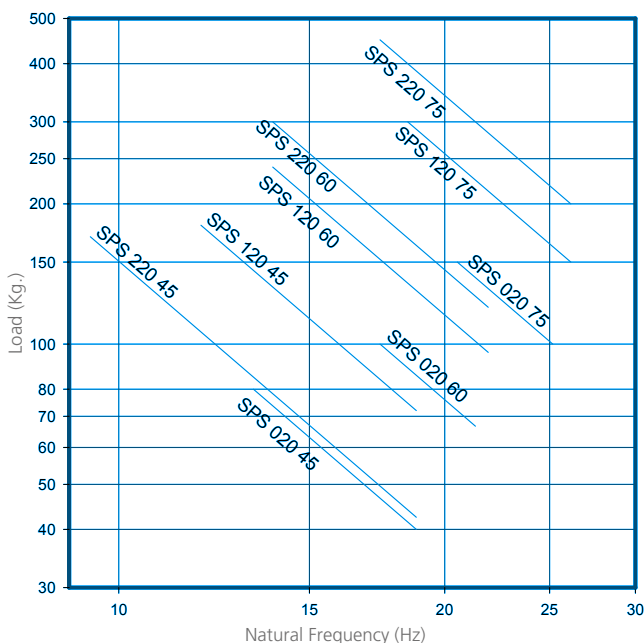
With a captive rubber unit the SPS mounts afford total safety in Mobile applications. They are compact in design for the range of loads to be supported and can be manufactured in Stainless Steel metal parts as an option for Food Industry applications, and coupled with appropriate compounds for the environments involved.

Applications range from high speed operation equipment such as Refrigeration units, Compressors, Transformers, HVAC units on trains or coaches.

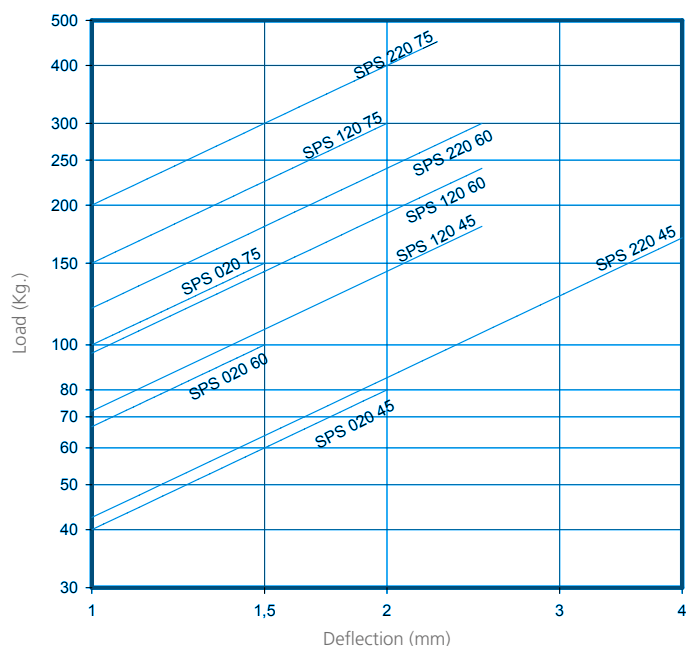


Type	A (mm)	B (mm)	C (mm)	D (mm)	E (mm)	F (mm)	G (mm)	Weight (gr.)	Code	Load (kg)	Shore
SPS 020	50	28	M-8	50	6	60	1,5	171	140001	80	45 Sh
									140003	100	60 Sh
									140005	150	75 Sh
SPS 120	76	39	M-10	63,5	6,7	76	3	524	140002	180	45 Sh
									140004	240	60 Sh
									140006	300	75 Sh
									140007	170	45 Sh
SPS 220	90	51	M-12	90	11	114	3	971	140008	300	60 Sh
									140009	450	75 Sh
									140034	800	55 Sh
SPS 420	125	78	M-16	114	13	144	4	2424	140035	1400	65 Sh
									140033	1625	75 Sh

AMC NATURAL FREQUENCY
MECANOCAUCHO® SPS TYPE



AMC LOAD DEFLECTION GRAPH
MECANOCAUCHO® SPS TYPE



* In order to adapt its products to the state of the art, AMC S.A. reserves the right to modify the conception and manufacture of the materials presented in this catalogue without prior notice.

VD

DESCRIPTION

The AMC MECANOCAUCHO® mount works the elastomer at shear-compression. It is comprised of 2 metal parts which allow it to be installed with its two built-in screws.

TECHNICAL CHARACTERISTICS

The type VD is a vee shaped mount providing high deflections for relatively low loads. This means that the natural frequency is low and ideal for engines which normally run at idle speed.

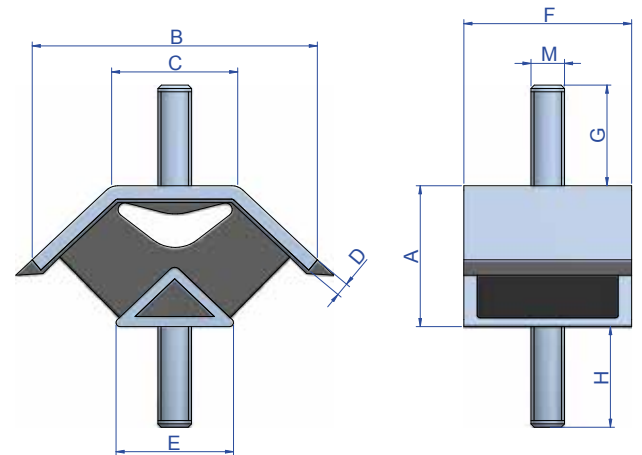
It has three different stiffness rates X,Y,Z which permits adjustments of system modes for optimal isolation and stability.

They can be installed at specific angles providing further adjustment to the systems characteristics. For this purposes, please contact our technical department.

APPLICATIONS

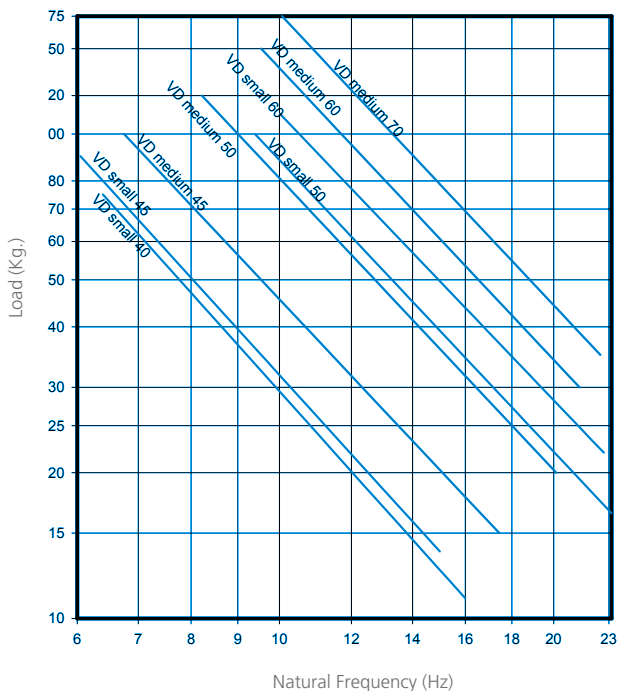
It is used in applications where the load of the suspended unit is low and the level of vibration isolation must be high, such as:

- Small vehicles.
- Small and medium sized gen sets.
- Construction equipment machinery.

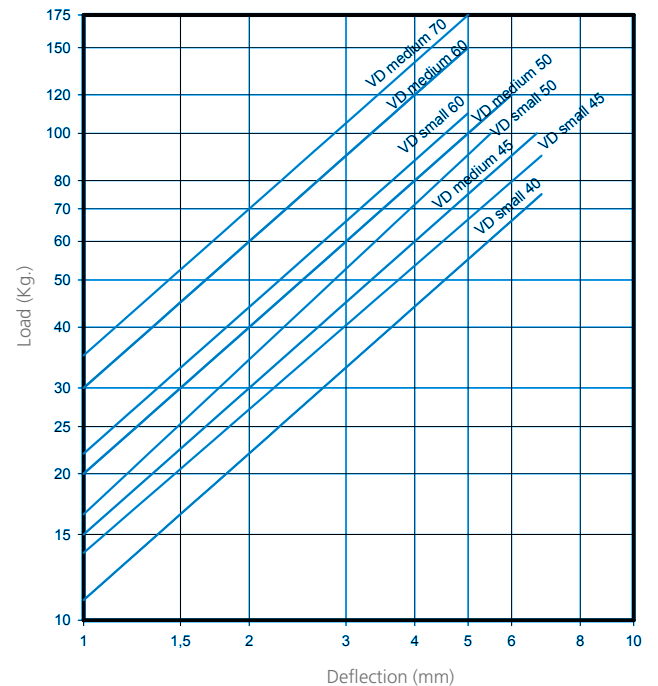


Type	A (mm)	B (mm)	C (mm)	D (mm)	E (mm)	F (mm)	G (mm)	H (mm)	M	Weight (gr.)	Code	Load (kg)
Small 40	41	95	39	4	35	50	23	25	M-10	330	148121	75
Small 45 M12	41	95	39	4	35	50	30	30	M-12	350	148132	90
Small 50	41	95	39	4	35	50	23	25	M-10	330	148123	100
Small 60	41	95	39	4	35	50	23	25	M-10	330	148125	110
Small 60 M12	41	95	39	4	35	50	30	31	M-12	350	148133	110
Medium 45	64	130	60	6	52	60	34	36	M-12	805	148101	100
Medium 50	64	130	60	6	52	60	34	36	M-12	805	148102	100
Medium 60	64	130	60	6	52	60	34	36	M-12	805	148104	150
Medium 70	64	130	60	6	52	60	34	36	M-12	805	148105	175

AMC NATURAL FREQUENCY
VD TYPE MECANOCAUCHO®



AMC LOAD DEFLECTION GRAPH
VD TYPE MECANOCAUCHO®



V-SHAPED MARINE TYPE

DESCRIPTION

The AMC MECANOCAUCHO® V-shaped marine mount works the rubber section in shear-compression. It is comprised of 2 metal parts which permit its installation by means of a screw at the top and two holes to securing it to the chassis.

TECHNICAL CHARACTERISTICS

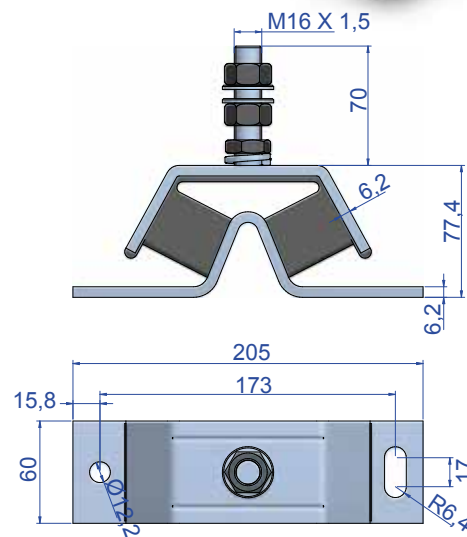
The AMC MECANOCAUCHO® V-shaped marine mount has a V-shaped design providing high deflections for relatively low loads. This means that the natural frequency is low and ideal for engines which normally work at iddle speed.

It has three different stiffness rates X,Y,Z which permits adjustments of system modes for optimal isolation and stability.

APPLICATIONS

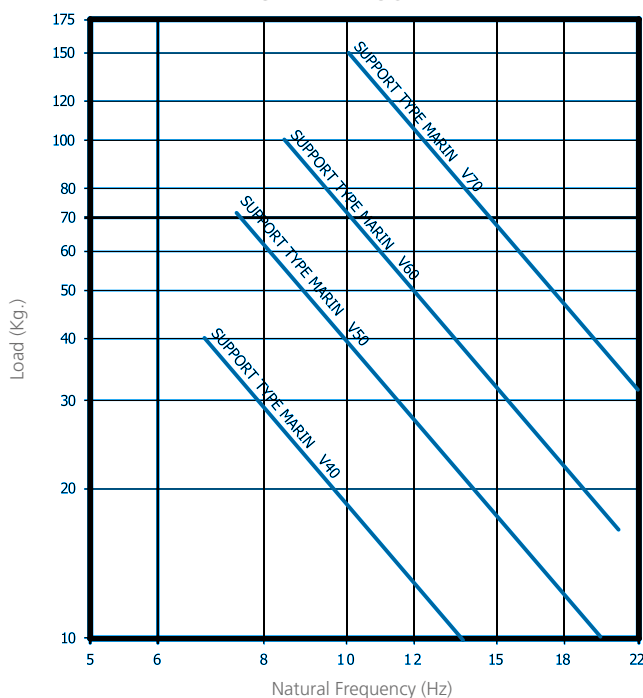
It is used in applications where the load of the suspended unit is low, and where high deflection is required to reach high vibration isolation levels.

Small vehicle or machines, small and medium sized gensets, marine engines,...

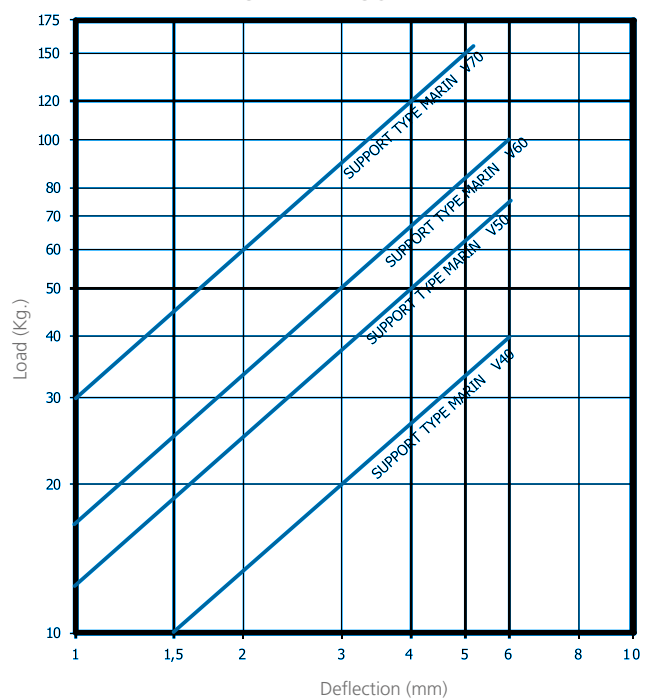


Type	Weight (gr.)	Code	Load (kg)	Shore
V-shaped marine	1720	148001	40	40 Sh
		148003	75	50 Sh
		148004	100	60 Sh
		148006	150	70 Sh

NATURAL FREQUENCY AMC MECANOCAUCHO®
TYPE MARINE V SHAPED MOUNT



LOAD DEFLECTION AMC MECANOCAUCHO®
TYPE MARINE V SHAPED MOUNT



* In order to adapt its products to the state of the art, AMC S.A. reserves the right to modify the conception and manufacture of the materials presented in this catalogue without prior notice.

V-SHAPED GENERATOR MOUNT

DESCRIPTION

The V-shaped AMC MECANOCAUCHO® Generator supports are comprised of two symmetrically-tilted metal parts with a screw on each side.

TECHNICAL CHARACTERISTICS

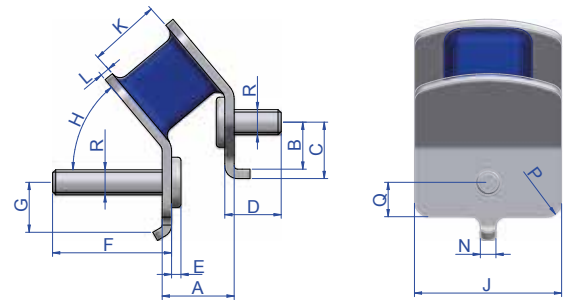
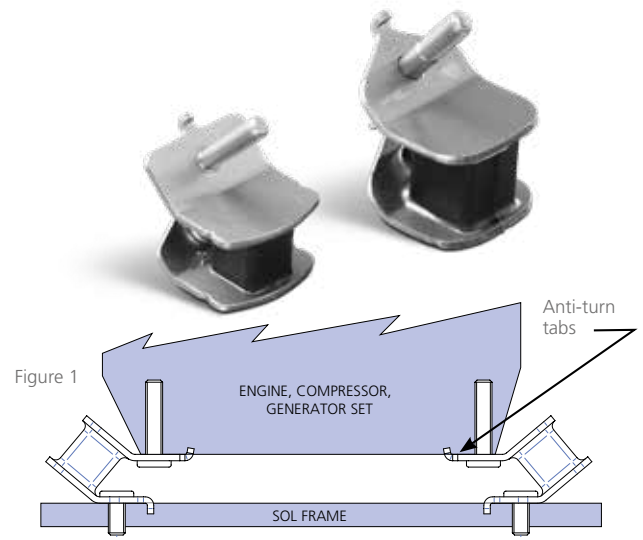
The V-shaped generator mounts render it possible to make installations which are more elastic than the ones usually made with cylindrical or bobbing mounts. This makes it possible to achieve lower frequencies and consequently better vibration isolation.

- Stability is enhanced when two are installed, symmetrically opposed. See fig. 1.
- They have two different length screws which facilitate the assembly of the the engine to the chassis. The screws can be supplied in different lengths to order.
- They have two "anti-turn" tabs which stop the mount from turning when strong tightening torque is applied (very frequently) with pneumatic tools.
- They are supplied in 2 hardnesses to adapt to different load ranges.
- They provide vibration attenuation of above 90% in diesel or petrol single-cylinder engines running at 3000 rpm.

APPLICATIONS

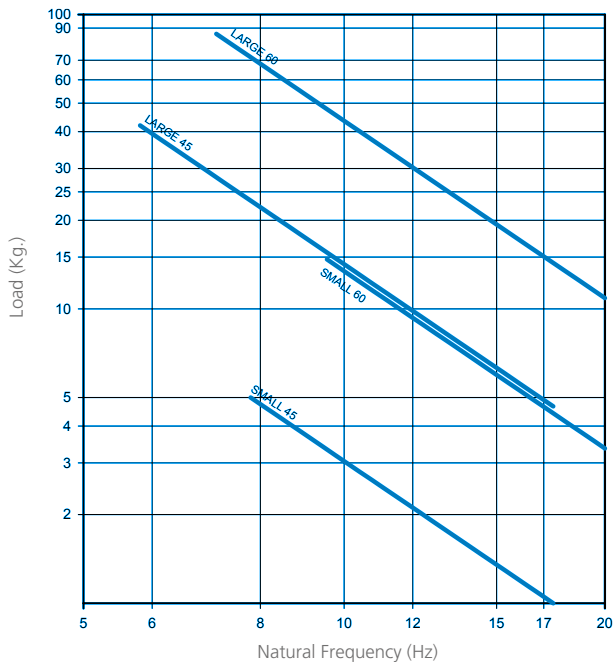
Very low-load engines requiring high levels of isolation.

Portable gensets, compressors, motor pumps...

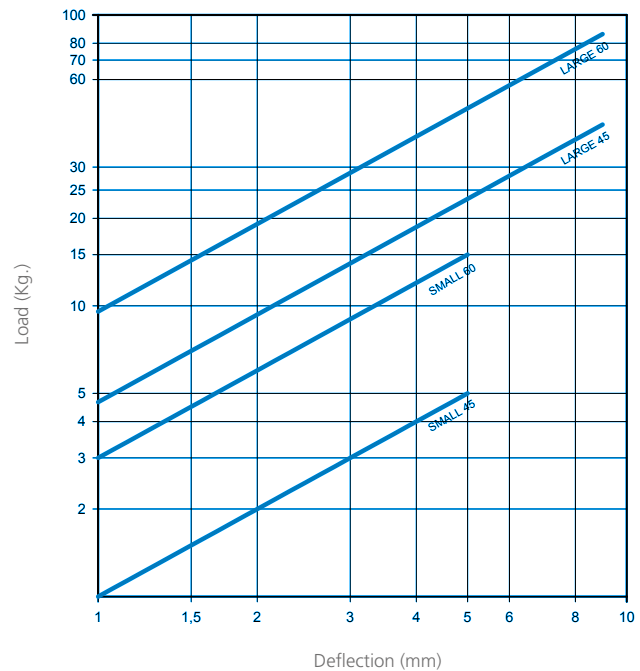


Type	A (mm)	B (mm)	C (mm)	D (mm)	E (mm)	F (mm)	G (mm)	H (°)	J (mm)	K (mm)	L (mm)	N (mm)	P (mm)	Q (mm)	Weight (gr.)	R (mm)	Code	Load (kg)	Shore
Small	23	14,5	18	18	3	38	15,9	50°	47	23	3	5	5	11	150	M8	148151	5	45 Sh
																	148153	15	60 Sh
Large	28	19,5	22	18	3	38	20	50°	54	31	3	7	10	16	205	M8	148171	40	45 Sh
																	148173	90	60 Sh

NATURAL FREQUENCY AMC MECANOCAUCHO® V-SHAPED GENERATOR MOUNT



LOAD DEFLECTION GRAPH AMC MECANOCAUCHO® V-SHAPED GENERATOR MOUNT



NP

DESCRIPTION

The AMC MECANOCAUCHO® NP mounts are composed of a metallic flange and a bush that are bonded to a high resilient rubber compound.

The AMC MECANOCAUCHO® NP mounts can be fitted with overload/rebound washers. This allows fail-safe installations. For this purpose we recommend using washer Ref. AMC: 608074 that has the following dimensions: 76 x 16.5 x 5mm.

The flange comes with four fixing holes and the inner bush allows up to 120 N/mm tightening torque.

TECHNICAL CHARACTERISTICS

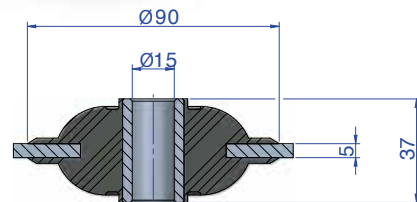
AMC MECANOCAUCHO® NP mounts can be applied in mobile applications when installed with overload/rebound washers.

AMC MECANOCAUCHO® NP mounts are available in several rubber hardnesses to suit the load range of the application.

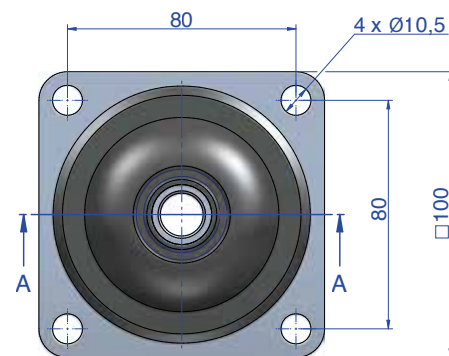
APPLICATIONS

AMC MECANOCAUCHO® NP mounts are used for the effective noise and vibration isolation in the following applications:

- Agricultural equipment
- Construction equipment machinery.
- Cranes.
- Forklift trucks.
- Multipurpose vehicles.

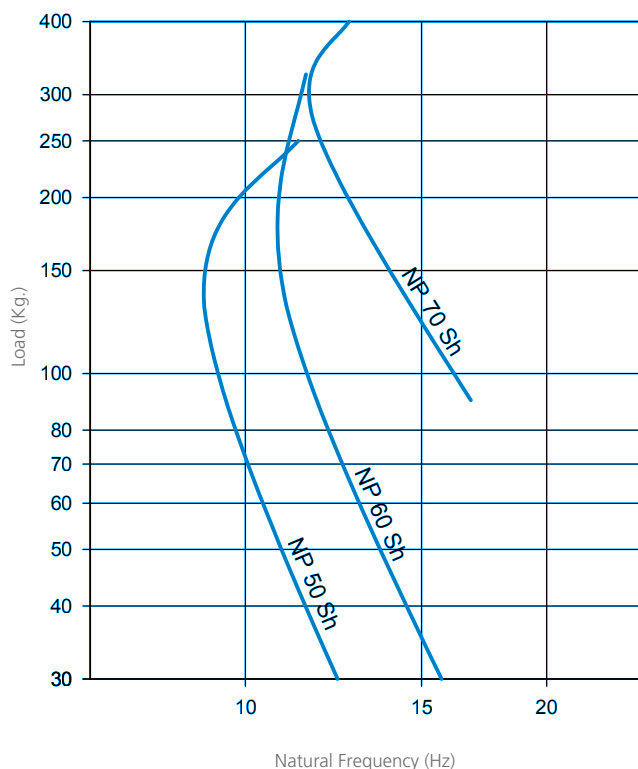


SECTION A-A

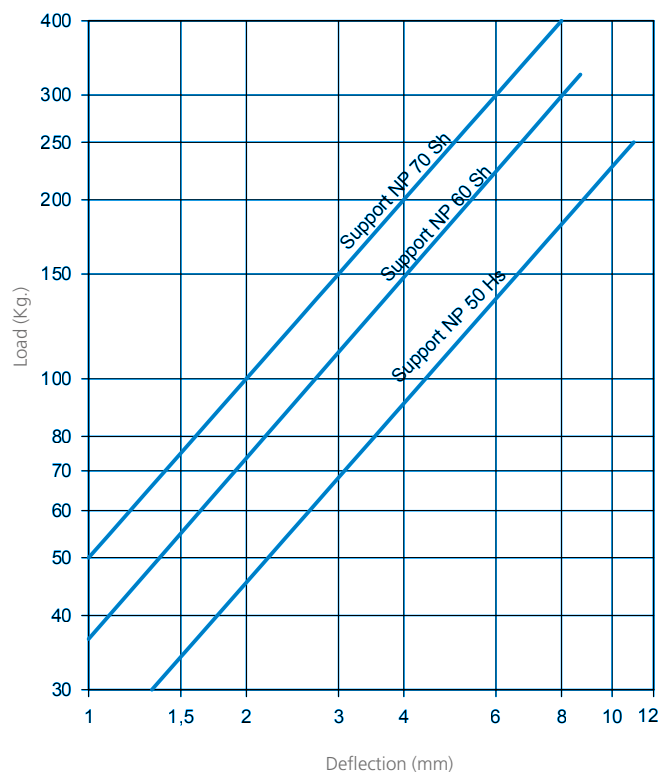


Type	Weight (gr.)	Max. Load (kg)	Code
50 Sh	437	250	138202
60 Sh	437	325	138201
70 Sh	437	400	138203

NATURAL FREQUENCY
AMC MECANOCAUCHO® TYPE NP



LOAD DEFLECTION CURVE
AMC MECANOCAUCHO® TYPE NP



TRANSFORMER MOUNTS

DESCRIPTION

The AMC MECANOCAUCHO® TRANSFORMER MOUNT combines a spring and a TRANSFORMER MOUNT damper in a single compact unit. This mount is particularly useful for transformer where isolation is needed.

The internal architecture of the mount is composed of a system that bonds the rubber to both metal parts.

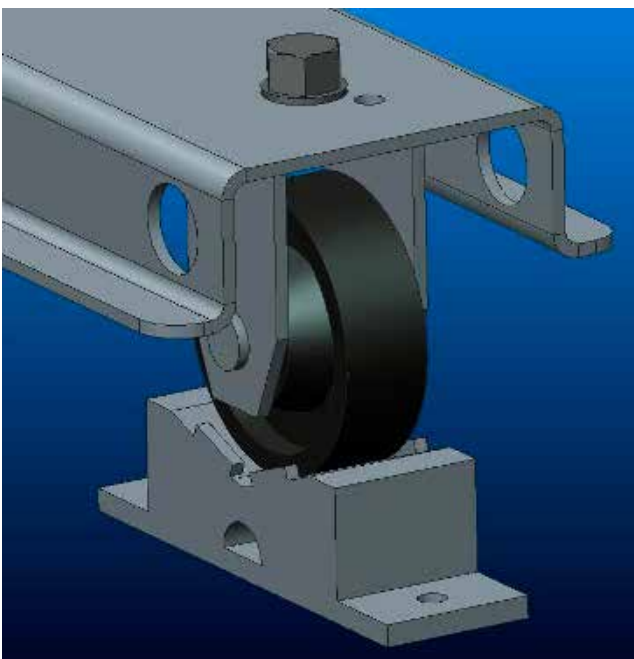
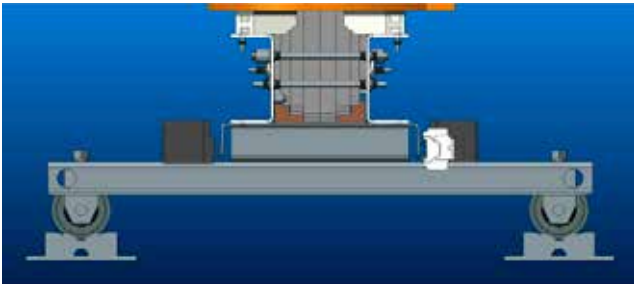
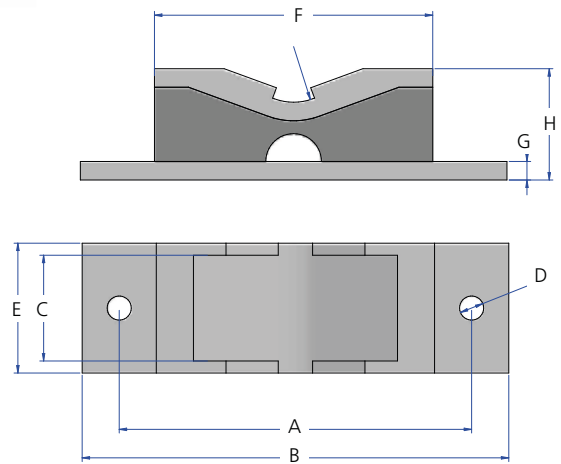
TECHNICAL CHARACTERISTICS

- The AMC MECANOCAUCHO® TRANSFORMER MOUNT incorporates resilient natural rubber specifically designed to last over time.
- The metal parts have a suitable anticorrosive treatment for outdoor applications.
- The load capacity shown in our catalogue is the maximum static values the transformer mount can support, with the capability of withstanding occasional extreme dynamic overload.

APPLICATIONS

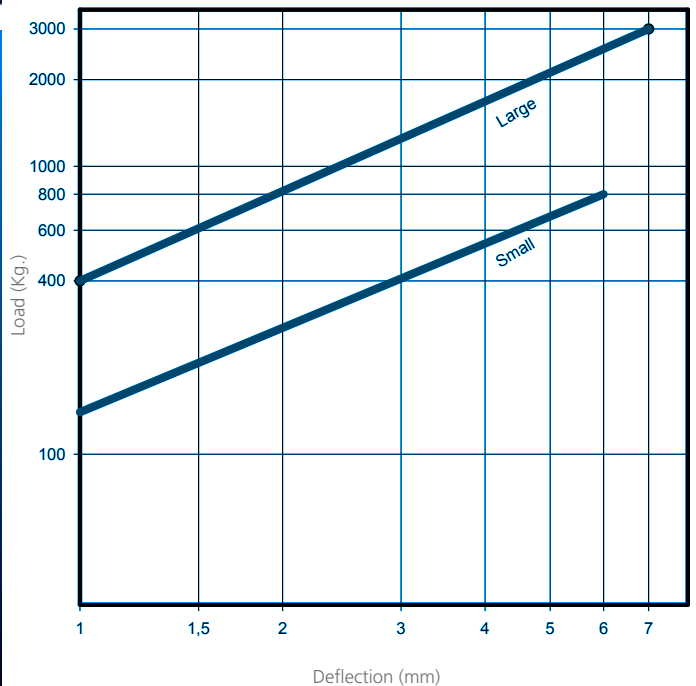
The AMC MECANOCAUCHO® mounts have been primarily designed as transformer mounts.

The shape of the upper metal plate allows for the accommodation of the transformer wheel. This characteristic permits an easy installation without any additional fastening system.



Type	A (mm)	B (mm)	C (mm)	D (mm)	E (mm)	F (mm)	G (mm)	H (mm)	Code	Weight (gr.)	Max. Load (kg)
Small	190	230	57	13	70	150	10	60	148301	2600	800
Large	290	330	88	13	100	250	10	70	148311	5800	3000

LOAD DEFLECTION GRAPH
AMC MECANOCAUCHO® TYPE TRANSFORMER MOUNT



SH

DESCRIPTION

Each mount consists of two heavy duty square outer plates with corner hole fixings fully bonded to circular profiled rubber layers separated by interleaf plates.

The AMC MECANOCAUCHO® type SH mounts provide high static and shock load capacities in compression with a minimum deflection, maintaining a low shear stiffness rate.

TECHNICAL CHARACTERISTICS

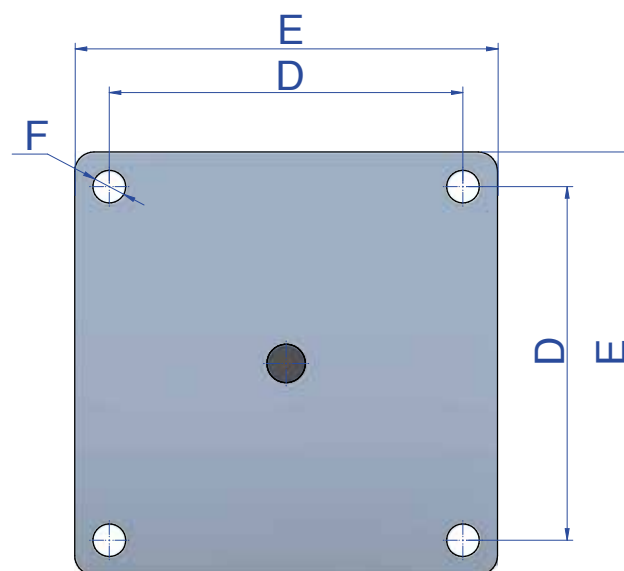
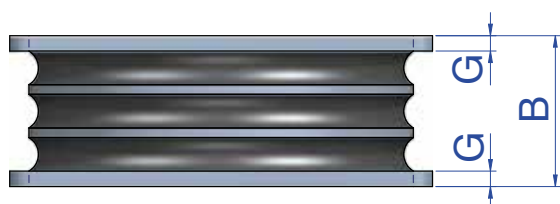
The AMC MECANOCAUCHO® type SH mounts are designed for long lasting heavy duty applications.

They can be supplied in 3 different hardness and 3 different sizes to suit applications where the compression load per mount is between 2 to 40 Tons.

APPLICATIONS

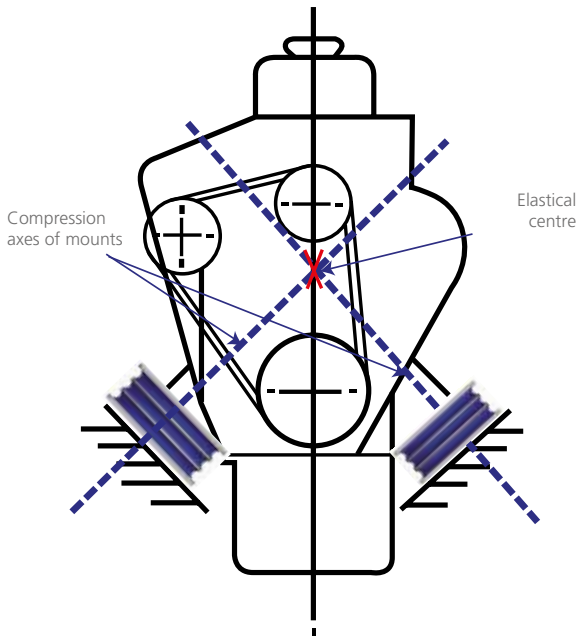
High compression capacity, low shear stiffness and relatively low installed heights make the mounts ideal for: Vibratory rollers, Mills, Presses, Heavy machinery, Feeder screens.

Due to their high load capacity these mounts are also used as point bearings for the vibration isolation of building structures.

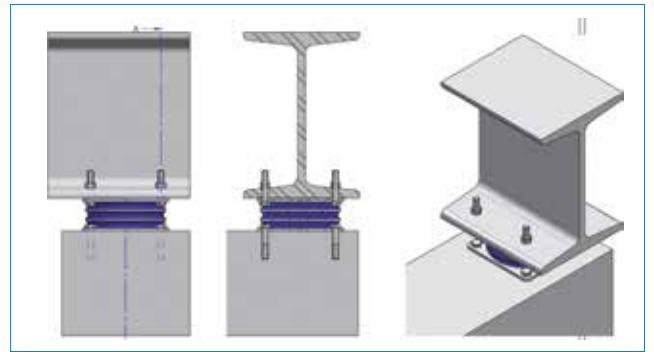
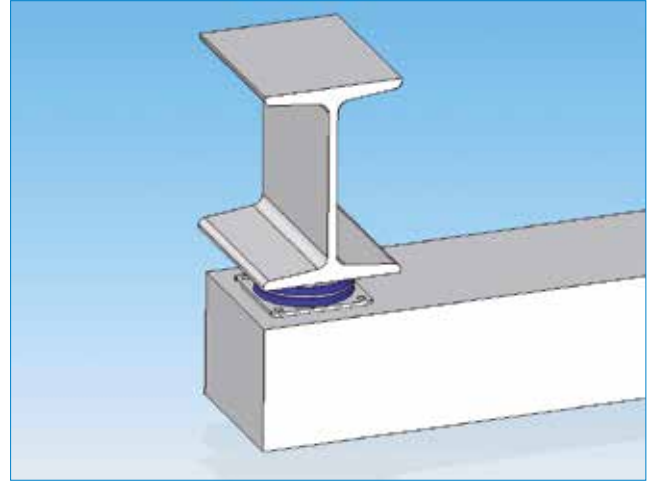


Type	B (mm)	D (mm)	E (mm)	F (mm)	G (mm)	Weight (kg)	Code	Shore	Max. Load (kg)
SH 125	52	118	148	13,5	5	2,5	148213	45 Sh	2250
							148215	60 Sh	4500
SH 150	63	136	166	13,5	6	4,5	148201	45 Sh	3750
							148202	60 Sh	7500
SH 200	78,5	184	220	17	8	9	148204	45 Sh	6000
							148205	60 Sh	12000
SH 300	120	270	310	22	10	27	148207	45 Sh	15000
							148208	60 Sh	30000
							148209	70 Sh	40000

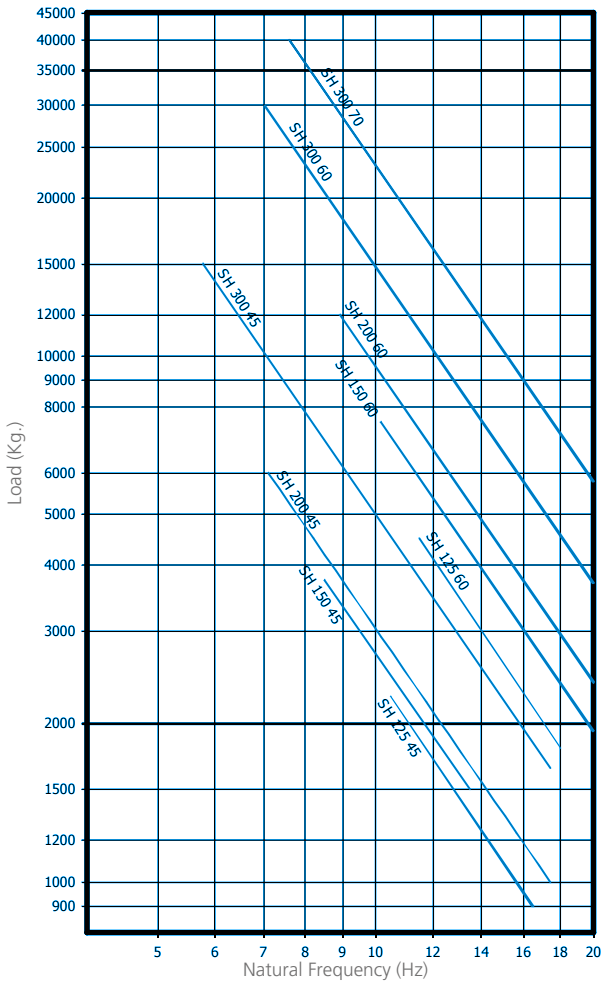
“VEE” INCLINED INSTALLATION CONFIGURATION



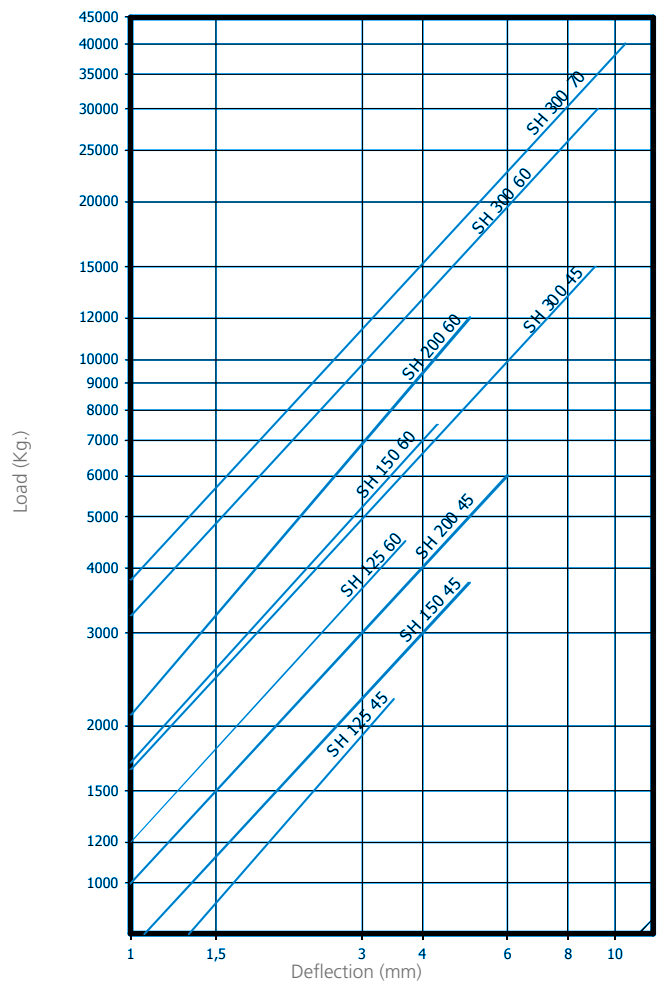
AMC MECANOCAUCHO® technical department can calculate a precise angle configuration in order to achieve an optimum compromise between isolation and stability of the suspended equipment



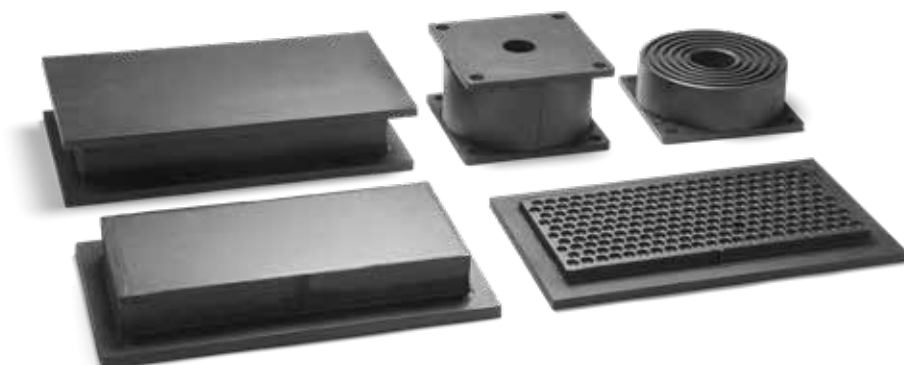
NATURAL FREQUENCY
AMC MECANOCAUCHO® SH TYPE



LOAD DEFLECTION GRAPH
AMC MECANOCAUCHO® SH TYPE

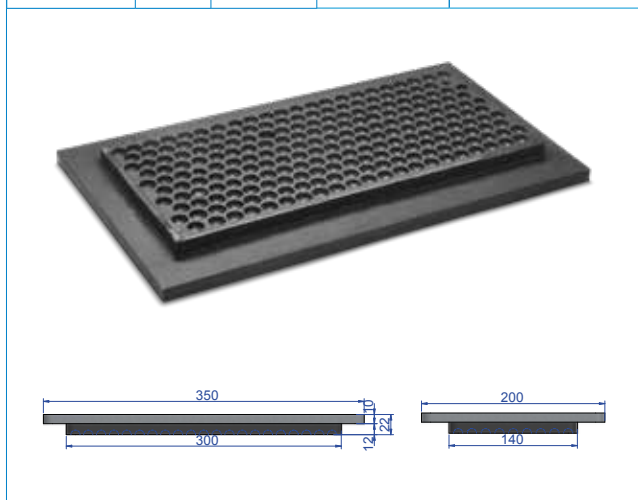


MOUNTS FOR LARGE LOADS



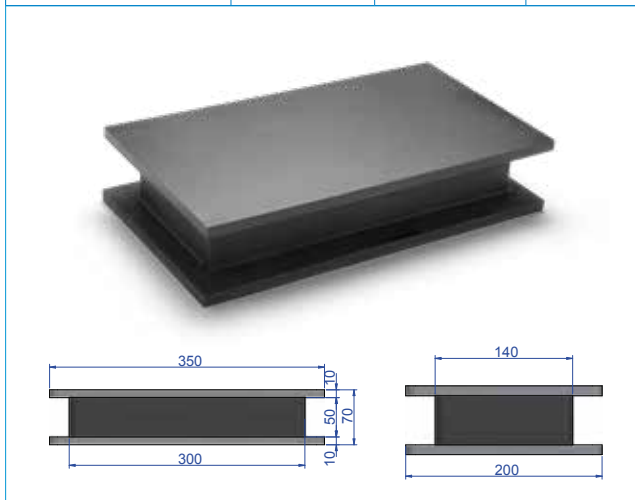
AMC MECANOCAUCHO® ANTI-SKID B

Type	Code	Weight (kg)	Load (Kg.)	Deflection mm.
Anti-skid	141003	7	8.000	3



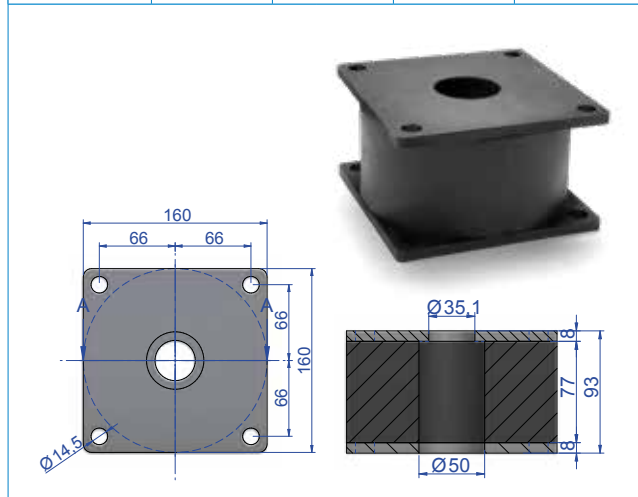
AMC MECANOCAUCHO® TYPE B

Type	Code	Load (kg)	Weight (kg)
Type B	141004	10000	13,022



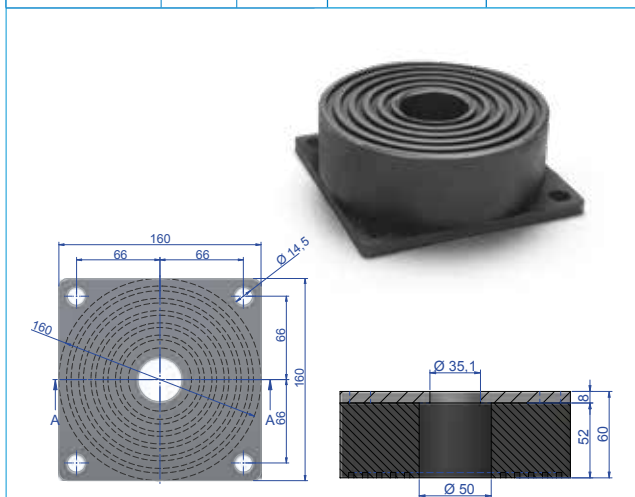
AMC MECANOCAUCHO® TYPE P

Type	Code	DEFLECTION mm	Weight (kg)	Max. Load (kg)
Type P	141005	15	4,499	2500



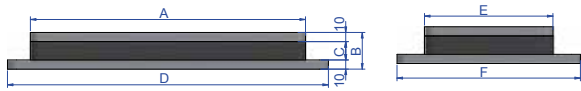
AMC MECANOCAUCHO® TYPE ANTI-SKID P

Type	Code	Weight (kg)	DEFLECTION mm	Max. Load (Kg)
Type P Anti-skid	141006	2,422	8	4500



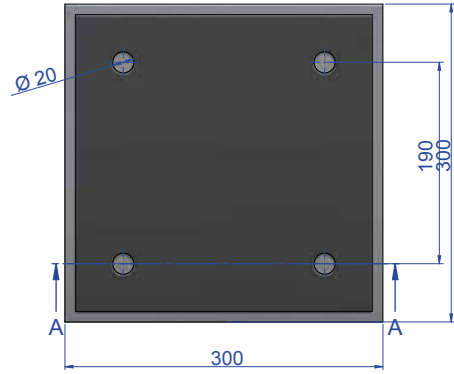
AMC MECANOCAUCHO® TYPE S

Type	A (mm.)	B (mm.)	C (mm.)	D (mm.)	E (mm.)	F (mm.)	DEFLECTION mm.	Code	Load (Kg.)
L-40	300	40	20	350	140	200	5	141021	15000
L-50	300	50	30	350	140	200	5	141022	13000
L-60	300	60	40	350	140	200	5	141023	11000
L-70	300	70	50	350	140	200	5	141024	9000



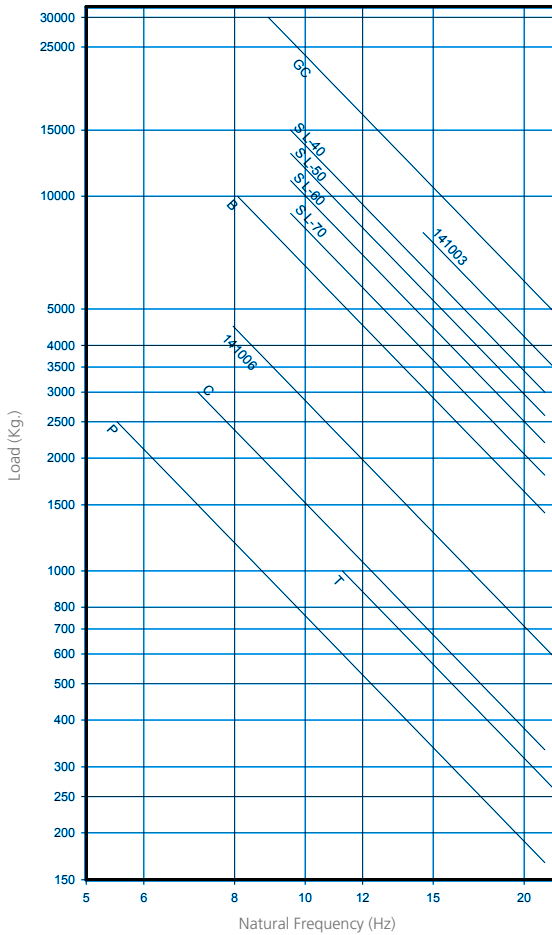
AMC MECANOCAUCHO® TYPE G.C.

Type	Code	Load (kg)	DEFLECTION mm	Weight (kg)
Type G.C.	141041	30000	8	-

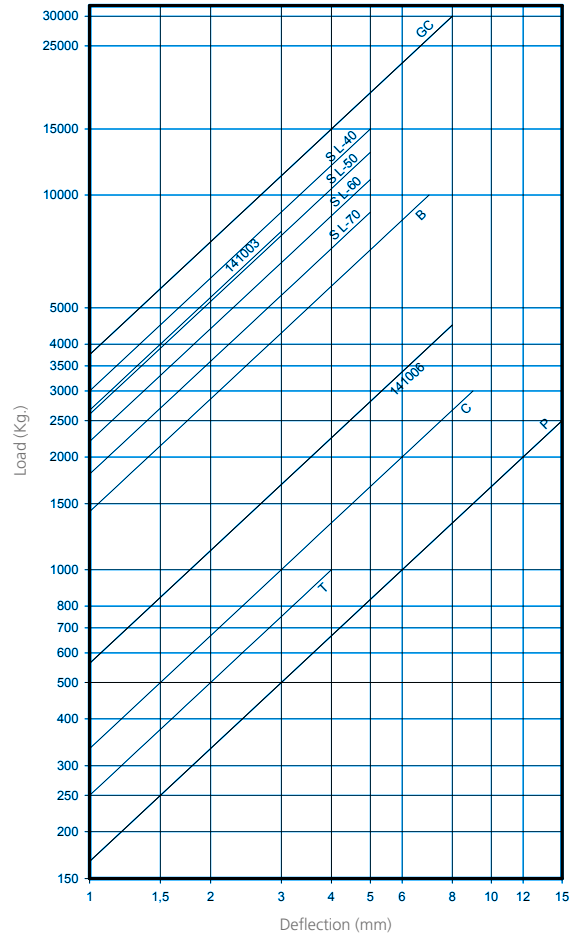


A-A SECTION

NATURAL FREQUENCY
AMC MECANOCAUCHO® MOUNTS FOR LARGE LOADS



LOAD DEFLECTION GRAPH
AMC MECANOCAUCHO® MOUNTS FOR LARGE LOADS



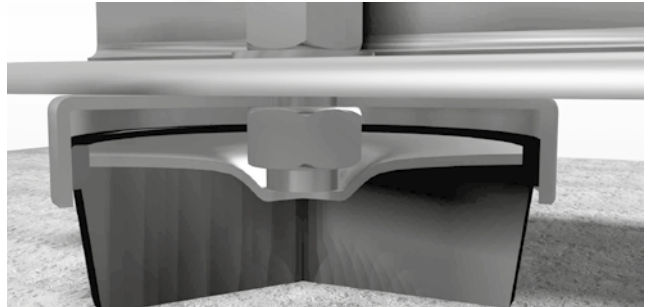
NF LEVELLING MACHINE MOUNTS

The N.F.-type AMC MECANOCAUCHO® mounts are used in cases where light or heavy machines should not be fixed to the floor or ground.

The height adjustment system can be used to adjust the machines to the required level, thus insulating from vibrations and reducing noise. The AMC MECANOCAUCHO® type NF comes with a tilting system allowing optimum adaptation to all surfaces.

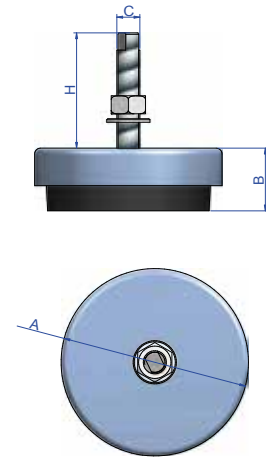
The elastomer used is a mixture of oil-resistant synthetic Nitrile Butadiene Rubber (NBR).

Height is adjusted by means of a screw, although this operation can even be performed once the machine has been assembled. The wide contact between the base of the machine guarantees good overall stability.



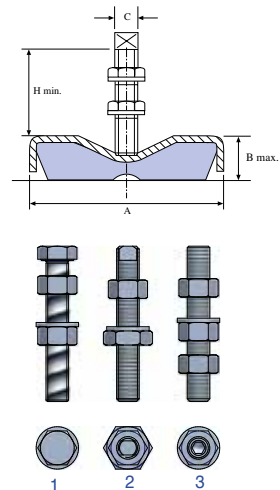
AMC MECANOCAUCHO® TYPE NF

Type	A (mm)	B mm Min	B mm Máx	B mm Reglaje	STATIC LOAD Nominal kg	DEFLECTION mm	Weight (gr.)	Code	C (mm)	H mm Min	H mm Max	FIG.
NF-65	65	27	34	7	320	2	349	142001	M-12x1,75	105	110	1
								142017	M-12x1,75	78	85	2
NF-85	85	33	46	13	650	2	732	142002	M-16x2	114	127	1
								142018	M-16x2	82	95	2
NF-100	100	35	48	13	980	2	960	142003	M-16x2	120	130	1
								142019	M-16x2	82	95	2
NF-130	130	45	58	13	2500	3	1675	142004	M-20x2,5	130	140	1
								142023	M-16x1,5	67	80	2
								142028	M-16x1,5	99	112	2
								142005	M-20x2,5	130	140	1
NF-160	160	53	66	13	4000	3	3397	142024	M-20x1,5	62	75	2
								142026	M-20x1,5	135	145	2
								142006	M-24x3	158	176	1
								142025	M-24x1,5	158	176	2
NF-200	200	55	68	13	5000	3	4958	142027	M-24x1,5	81	94	2
								142007	M-30x2	153	176	1

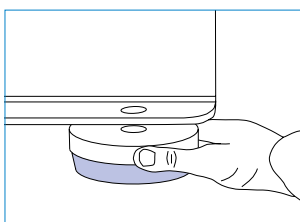


AMC MECANOCAUCHO® TYPE NFR

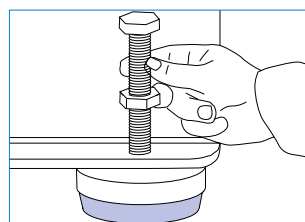
Type	A (mm)	B (mm)	C (mm)	H mm Min	STATIC LOAD Nominal kg	DEFLECTION mm	FIG.	Code	Weight (gr.)
NFR-85	85	33	M-16	100	650	2	2	142009	713
NFR-100	100	35	M-16	100	980	2	2	142010	929
NFR-130	130	45	M-20	130	1350	3	3	142011	1832
NFR-160	160	53	M-20	130	2500	3	3	142012	3330
NFR-200	200	55	M-24	140	3700	3	1	142013	4924



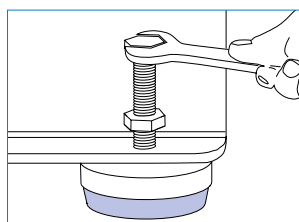
INSTALLATION INSTRUCTIONS



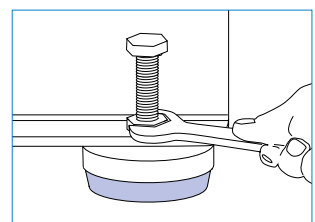
Lift the machine and insert the mount under it.



Insert and turn the screw manually until it slots into place.



Adjust the height of the machine by turning the screw.



Block using the checknut.

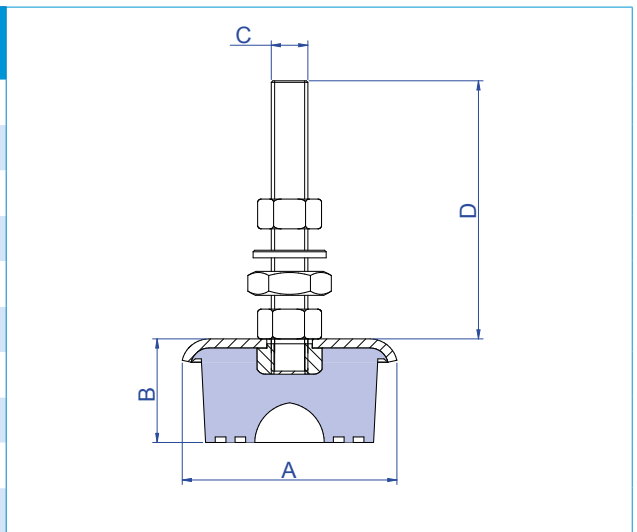
SV

APPLICATIONS

The SV-type AMC MECANOCAUCHO® mounts are used in cases where light or heavy machines are not fixed to the floor or ground. The height adjustment system can be used to adjust the machines to the required level, thus insulating areas nearby from vibrations and reducing noise.



Type	A (mm)	B (mm)	C (mm)	D (mm)	LOAD kg MIN	LOAD kg MAX	Code	Weight (gr.)
000	45	23	M-8	48	20	80	143001	91
00	60	28	M-10	81	60	120	143002	235
0	70	34	M-12	89	90	160	143003	350
1	85	32	M-12	89	130	350	143004	456
2	100	40	M-14	109	270	600	143005	702
3	120	37	M-16	116	450	900	143006	954
4	140	55	M-16	116	700	1200	143007	1513
5	160	60	M-16	116	1100	1750	143008	1865
6	180	70	M-24	138	1500	2500	143009	3034
7	210	75	M-24	138	2100	3750	143010	4248

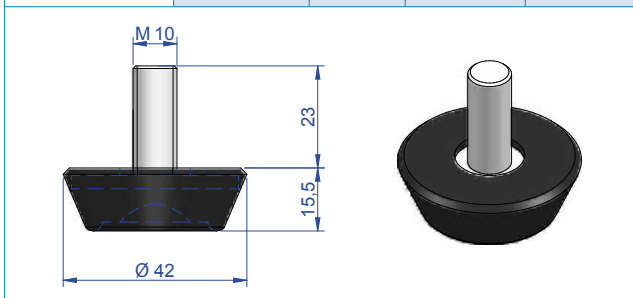


* Can be supplied in stainless steel.

AMC MECANOCAUCHO® TYPE JT

APPLICATIONS: Levelling machine mounts

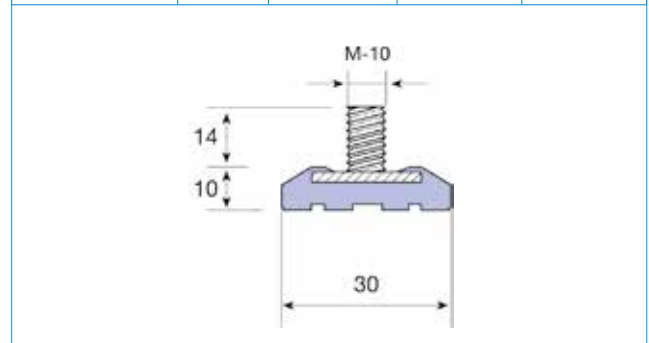
Type	Code	Load (kg)	Weight (gr.)	Shore
JT Type	144001	25-40	53	50 Sh
	144002	75-100	53	75 Sh



AMC MECANOCAUCHO® TYPE SX

APPLICATIONS: Levelling machine mounts

Type	Shore	Code	Load (kg)	Weight (gr.)
SX Type	50 Sh	145001	10-25	25



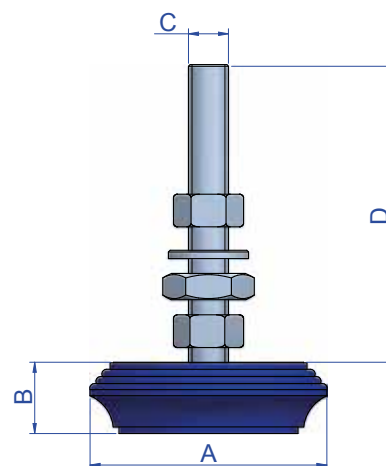
LOW SV

APPLICATIONS

The LOW SV-type AMC MECANOCAUCHO® anti vibration mounts are used in cases where light or heavy machines are not fixed to the floor or ground. The height adjustment system can be used to adjust the machines to the required level, thus insulating areas nearby from vibrations and reducing noise.



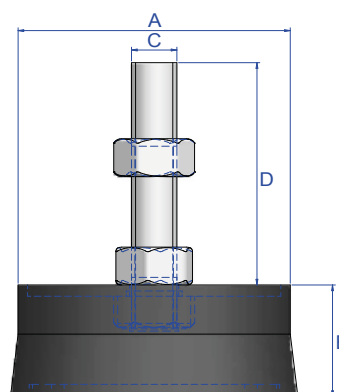
Type	A (mm)	B (mm)	C (mm)	D (mm)	LOAD kg MIN	LOAD kg MAX	Code	Weight (gr.)
000 B	43	16	M-8	45	40	80	147000	257
00 B	60	18	M-10	81	60	120	147001	334
0 B	70	20	M-12	89	90	160	147002	286
1 B	85	25	M-12	89	130	350	147003	382
2 B	100	20	M-14	109	270	600	147004	574
3 B	120	25	M-16	116	450	900	147005	867
4 B	140	33	M-16	116	700	1200	147006	1300
5 B	160	36	M-16	116	1100	1750	147007	1556
00 B STAINLESS STEEL	60	18	M-10	81	60	120	147014	334
0 B STAINLESS STEEL	70	20	M-12	89	90	160	147013	286
1 B STAINLESS STEEL	85	25	M-12	89	130	350	147012	382
2 B STAINLESS STEEL	100	20	M-14	109	270	600	147015	574
3 B STAINLESS STEEL	120	25	M-16	116	450	900	147011	867
4 B STAINLESS STEEL	140	33	M-16	116	700	1200	147016	1300
5 B STAINLESS STEEL	160	36	M-16	116	1100	1750	147017	1556



AMC MECANOCAUCHO® TYPE SM

APPLICATIONS: Levelling machine mounts.

Type	A (mm)	B (mm)	C (mm)	D (mm)	LOAD kg MAX	Code	Weight (gr.)
S.M.-40	40	18	M-8	48	45	146001	79
S.M.-60	65	28	M-12	89	150	146002	307
S.M.-70	75	29	M-12	89	250	146003	363
S.M.-90	95	30	M-12	89	500	146004	573
S.M.-120	125	31	M-16	116	1000	146005	904



RUBBER BLOCKS & MATS AMC MECANOCAUCHO®

There are different mats, in different sizes, rubber grades and hardnesses. The most classic use is for damping high frequency vibrations without the need for any anchoring.

The user cuts them to the relevant size and can apply them using an adhesive, or simply by placing them on the base of the machine. In cases where contact with oils is foreseen, this should be indicated on the order.

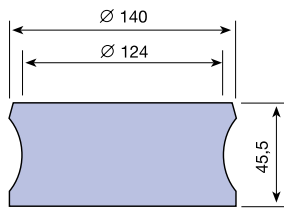
The mat will be more or less elastic or anti-skid, depending on the different models.



AMC MECANOCAUCHO® TYPE T

Type	Code	Load (kg)	DEFLECTION mm	Weight (kg)
RUBBER BLOCKS AND MATS Type T	141001	1000	4	0,687

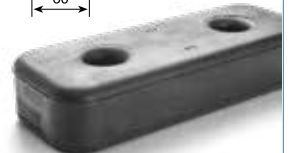
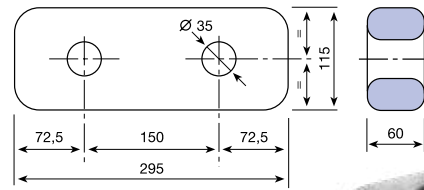
Deflection curve on page 77



AMC MECANOCAUCHO® TYPE C

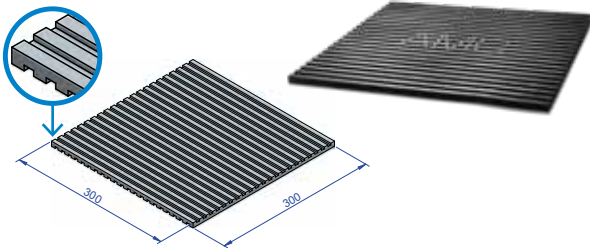
Type	Code	Load (kg)	DEFLECTION mm	Weight (kg)
RUBBER BLOCKS AND MATS Type C	141002	3000	9	2,082

Deflection curve on page 77



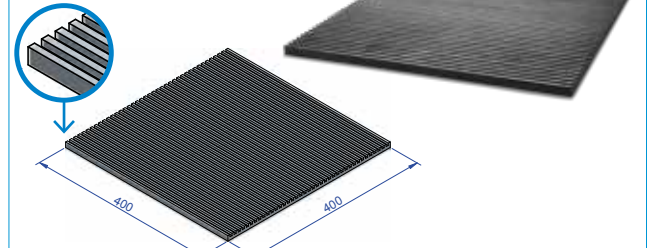
AMC MECANOCAUCHO® MAT 300x300

Type	Max. Load (Kg/cm ²)	Code	Weight (kg)	THICKNESS (mm)
RUBBER BLOCKS AND MATS 300 x 300	4	152001	0,521	8



AMC MECANOCAUCHO® MAT 400x400

Type	Max. Load (Kg/cm ²)	Code	Weight (kg)	THICKNESS (mm)
RUBBER BLOCKS AND MATS 400 x 400	6	152003	1,471	12



BLOCS AMC MECANOCAUCHO®

These are square antivibration mounts which are ideal for installation without any type of attachment or anchoring.



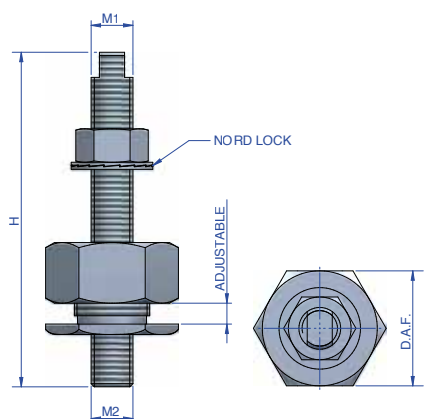
	Type	A (mm)	B (mm)	LOAD kg MIN	LOAD kg MAX	FIG.	Code	Weight (kg)
	G-060	70	30	180	300	1	152005	0,16
	G-070	80	30	350	600	1	152006	0,218
	G-090	100	40	200	500	1	152008	0,359
	G-110	110	30	1600	3000	1	152009	0,4
	G-080	80	50	200	500	2	152007	0,313

HEIGHT ADJUSTING SYSTEMS

The AMC Mecanocaucho® height adjusting systems can be used to retrofit current installations. Please take into consideration the following information:

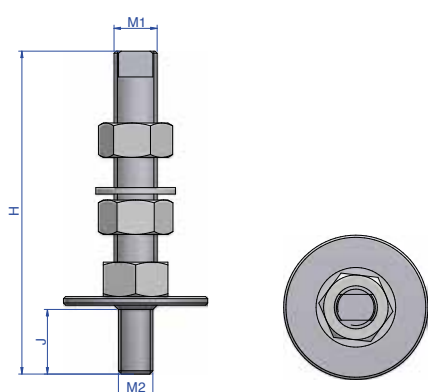
It is recommendable to settle the mountings at least 48hours before the alignment of the engine installation, especially for close coupling tolerances.

The use of high performance glue between the bolt and the mounting is advisable in order to increase the security.



Hi-Sec

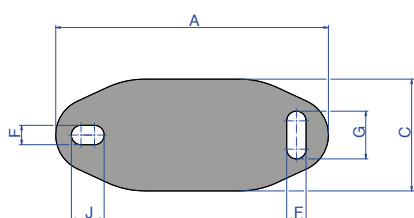
Type	Code	H (mm)	M1	M2	ADJUSTABLE (mm)	MACHINED HEAD	D.A.F.	Weight (gr.)
HI SEC	708077	110	M16	M12	± 5	Y	46	357
	708007	110	M16	M16	± 5	Y	46	514
	708094	130	M20	M20	± 5	N	46	775
	708079	110	M20	M16	± 10	Y	55	1095
	708029	160	M20	M20	± 10	Y	55	1011
	708005	160	M20	M20	± 10	N	55	1096
	708011	200	M24	M24	± 10	N	120	2234



Standard height adjusters

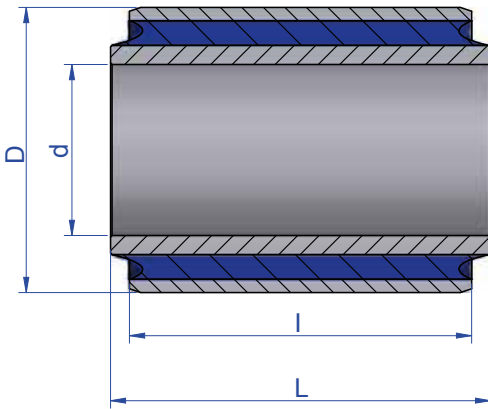
Type	Code	H (mm)	M1	M2	J (mm)	MACHINED HEAD	Weight (gr.)
STUD	708008	110	M16	M12	25	Y	215
	708003	110	M16	M16	-	Y	285
	708004	130	M20	M20	-	N	475
	708001	100	M12	M12	-	Y	174

Shim

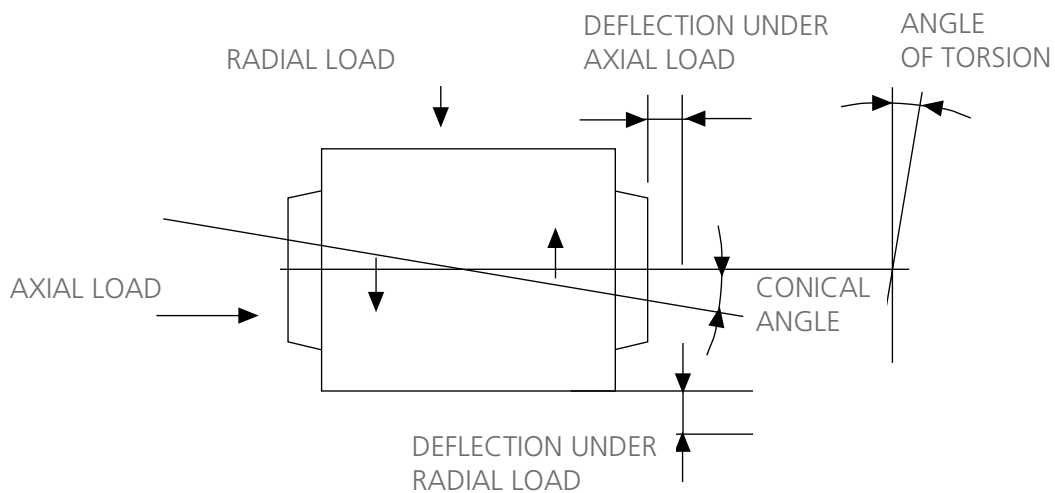


Type	Code	A (mm)	C (mm)	D (mm)	F (mm)	G (mm)	H (mm)	I (mm)	J (mm)	Weight (kg)
SMALL	136301	120	60	100	14	11	3	14	11	-
MEDIUM	136302	183	75	140	30	13	4	13	22	-
LARGE	136303	228	112	182	34	18	5	18	26	-

AMC MECANOCAUCHO® BUSHINGS



Type	Code	d (mm)	D (mm)	l (mm)	L (mm)	Weight (kg)	Torsion Mt max (Nm)	Angle Torsion max (°)	Axial load Fa max (N)	Axial load Sa max (mm)	Radial load Fr max (N)	Radial load Sr max (mm)
BUSHINGS	154005	10	22	25	30	0,034	7	10	500	0,9	1875	0,25
	154006	10	22	30	32	0,038	9	10	600	0,9	2250	0,25
	154103	12	30	28	34	0,064	10	15	580	1,7	1750	0,55
	154077	12	32	55	59	0,131	19	16	1200	1,7	7000	0,65
	154104	12	40	40	60	0,198	16	20	450	1,8	1200	1
	154107	14	27	40	45	0,08	20	10	935	1,3	4400	0,35
	154080	16	32	22	30	0,073	14	10	750	1,3	1800	0,35
	154021	18	36	48,5	58,5	0,161	35	10	1420	1,6	7350	0,45
	154133	20	45	35	40	0,152	45	15	1600	4,8	5800	1,4
	154073	20	45	64	70	0,285	55	15	2200	2,5	10000	0,85
	154082	24	45	44	55	0,265	55	11	1840	1,8	8650	0,6
	154040	25	50	50	56	0,261	34	6,6	2900	3	10000	1
	154044	25	50	80	85	-	49	14	7500	7,8	18000	1,7
	154079	32	66	47	55	0,517	77	15	2450	3,9	8400	1,3
	154043	40	70	55	65	0,616	138	12	3320	3,6	20500	1,2
	154075	45	75	90	100	0,956	320	10	6300	3,1	35000	0,9
154041	50	80	100	110	1,4	450	9	7800	2,8	55000	0,85	

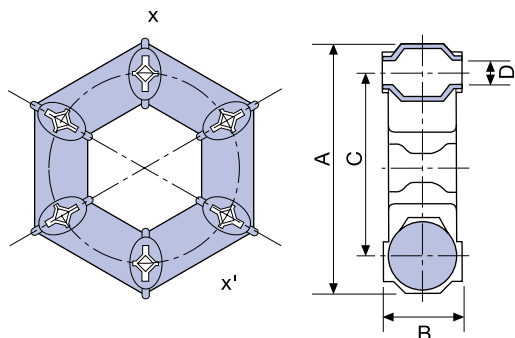


AMC MECANOCAUCHO® ELASTIC COUPLINGS



AMC MECANOCAUCHO® FLECTOR

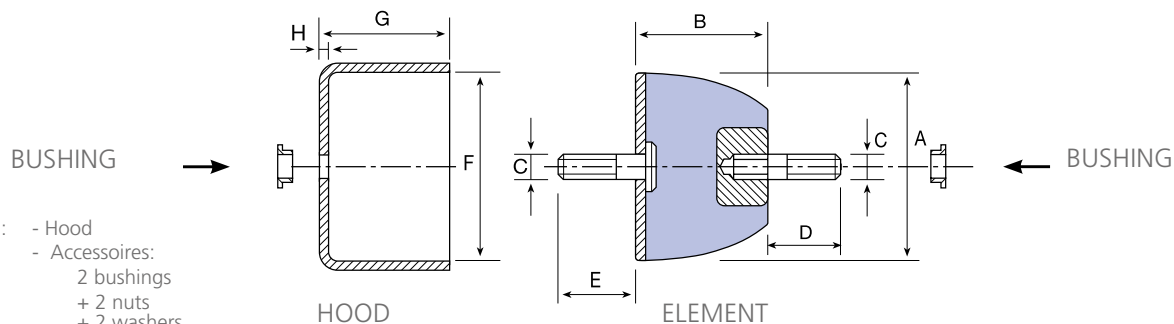
X-X' SECTION



Type	A (mm)	B (mm)	D (mm)	C installed	C free	R.P.M. max.	Code	Weight (kg)	nominal torque m kg
Flector 4MKG	91	28	8	65	75	6000	160201	0,227	4
Flector 9MKG	117	32	10	85	96	5000	160202	0,334	9
Flector 16MKG	142	46	12	100	110	4500	160203	0,839	16
Flector 25MKG	181	51	14	132	146	3500	160204	1,002	25
Flector 35MKG	202	54	18	150	170	3000	160205	1,412	35
Flector 50MKG	232	62	20	170	195	2800	160206	2,32	50
Flector 70MKG	263	68	20	190	216	2400	160207	3,309	70

AMC MECANOCAUCHO® TYPE DP

Type	Code	FORCE kg	A (mm)	B (mm)	C (mm)	D (mm)	E (mm)	F (mm)	G (mm)	H (mm)	Weight (kg)
ELEMENT DP-2	160241	174	84	52	M-12	30	35	84,5	50	3	0,75
ELEMENT DP-4	160242	300	120	75	M-16	44	49	120	75	5	1,777
ELEMENT DP-6	160243	1000	220	137	M-24	80	80	20	133	10	-
HOOD DP-2	160251	174	84	52	M-12	30	35	84,5	50	3	0,416
HOOD DP-4	160252	300	120	75	M-16	44	49	120	75	5	1,461
HOOD DP-6	160253	1000	220	137	M-24	80	80	20	133	10	-
BUSHING DP-2	160261	174	84	52	M-12	30	35	84,5	50	3	-
BUSHING DP-4	160262	300	120	75	M-16	44	49	120	75	5	0,249
BUSHING DP-6	160263	1000	220	137	M-24	80	80	20	133	10	-



- * OPTIONS:
- Hood
 - Accessoires:
+ 2 bushings
+ 2 nuts
+ 2 washers

ELASTOMERIC SPRINGS

DESCRIPTION

The AMC-MECANOCAUCHO® type Elastomeric Spring anti vibration mounts are ideal for those applications where high vibration isolation is required. Its specific design allows this mount to have high deflection. This feature is particularly useful on those applications where vibration in the vertical sense is predominant.

TECHNICAL CHARACTERISTICS

The damping properties of the rubber allow to provide a higher motion control of the suspended element. The optimal corrosion properties allow this mount to resist to aggressive corrosion environments.

APPLICATIONS

The AMC-MECANOCAUCHO® Elastomeric Spring anti vibration mounts are used in applications where a high degree of isolation is required and also motion control of the suspended element is required, such as : vibrating tables, vibration feeders or suspension of industrial vehicles.



RSFF 125 142		RS 110 132		RSF 110 132		RSF 55 55	
Type	Code	Weight (kg)	Shore	LOAD kg MAX	Max. Shock		
RSFF 125 142	180251	1,953	55 Sh	1150 Kg	-		
RS 110 132	180185	0,939	60 Sh	450 Kg	1200 Kg		
RSF 110 132	180234	1,072	60 Sh	450 Kg	1200 Kg		
RSF 55 55	180177	0,123	65 Sh	60 Kg	120 Kg		

AMC MECANOCAUCHO® BOBBINS

DESCRIPTION

The AMC MECANOCAUCHO® Bobbins are devices for making elastic anchorings or fixings. They can be used in a wide variety of applications, particularly for elastic suspensions and antivibration isolation of machines and different mechanical organs.

They are made of a block of rubber with two parallel metal parts at the end which enable it to be fixed either by screws in the "C" model or with nuts in the "A" model or a combination of both in the "B" model.

The rubber block may be cylindrical in cases requiring greater load capacity or as a diabolo when greater elasticity is required in all directions.

OPERATION AND ASSEMBLY

Its elasticity is much greater in all the directions parallel to the armatures than in the perpendicular direction. The rubber works based on compression or shear depending on the direction it is placed at installation time. This direction is made according to the use and the objective.

It is therefore installed with nuts or screws depending on the model chosen, with one part attached to the fixed chassis and the other to the machine to be suspended.

TECHNICAL CHARACTERISTICS

Depending on the size of the rubber block, the AMC MECANOCAUCHO® bobbing has more or less elasticity, which is greater particularly in all directions perpendicular to its axis (shear).

The AMC MECANOCAUCHO® bobbing thus makes it possible to make joints which permit major relative movements, up to several millimetres (in the case of heat expansion, chassis deformations, etc.).

The AMC MECANOCAUCHO® bobbing serves very well for the vibration isolation of machines where the vibrations are perpendicular to their axis, unless these stresses are too much when applied in this direction.

ADVANTAGES

- Easy to install.
- High elasticity (particularly transversal).
- Economical.

APPLICATIONS

The AMC MECANOCAUCHO® bobbins are particularly suitable for installation on small motor-pumps, motor-ventilators, driers, sieves, compactors, washing machines, electrical motors, on-board control panels, measuring apparatuses, control cabinets, microphones, fluorescent tubes, etc.



AMC MECANOCAUCHO® BOBBINS TYPE A

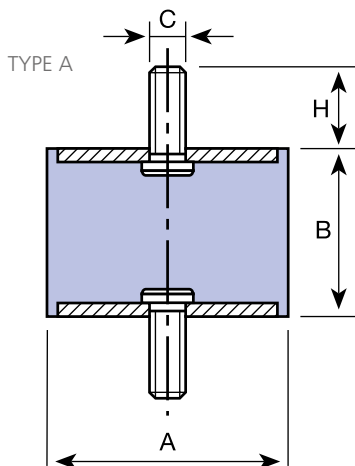
OPERATION AND ASSEMBLY

Their elasticity is much greater in all the directions parallel to the armatures than in the perpendicular direction. The rubber works based on compression or shear depending on the direction it is placed in at installation time. This direction is made according to the use and the objective.

It is therefore installed with nuts or screws depending on the model chosen, with one part attached to the fixed chassis and the other to the machine to be suspended.

APPLICATIONS

The AMC MECANOCAUCHO® bobbins are particularly suitable for installation on small motor-pumps, motor-ventilators, driers, sieves, compactors, washing machines, electrical motors, on-board control panels, measuring apparatuses, control cabinets, microphones, fluorescent tubes, etc.



Type	Code	A (mm)	B (mm)	C (mm)	H (mm)	Weight (kg)	COMPRESSION LOAD Max. daN	COMPRESSION DEFLECT. mm	SHEAR LOAD Max. daN	SHEAR DEFLECT. mm
BOBBINS TYPE A 12-25	120001	12,5	10	M-5	10	0,006	12	2	1,5	1,5
	120002	12,5	15	M-5	10	0,007	10	3	1,5	2
	120003	12,5	20	M-5	10	0,008	8	3,5	1,5	4
	120011	16	10	M-5	12	0,01	20	1,5	2,5	1,5
	120012	16	15	M-5	12	0,011	20	3	2,5	2
	120013	16	20	M-5	12	0,012	15	4	2,5	4
	120014	16	25	M-5	12	0,013	15	5	2	5
	120021	20	8,5	M-6	16,5	0,016	40	1,5	5	1
	120022	20	15	M-6	16,5	0,018	35	4	5	2,5
	120023	20	20	M-6	16,5	0,019	30	5	5	3,5
	120024	20	25	M-6	16,5	0,02	30	5,5	4,5	4,5
	120025	20	30	M-6	16,5	0,022	25	7	4,5	4,5
	120171	25,5	10	M-6	18	0,032	80	2	8	1,5
	120172	25,5	15	M-6	18	0,032	60	3,5	8	2,5
	120173	25,5	20	M-6	18	0,039	55	4,5	8	3,5
	120174	25,5	25	M-6	18	0,041	50	6	8	4,5
120175	25,5	30	M-6	18	0,043	50	8	8	6	
120026	25,5	10	M-8	20	0,034	80	2	8	1,5	
120031	25,5	15	M-8	20	0,04	60	3,5	8	2,5	
120032	25,5	19	M-8	20	0,04	55	4,5	8	3,5	
120033	25,5	22	M-8	20	0,042	50	5,5	8	4	
120034	25,5	25	M-8	20	0,043	50	6	8	4,5	
120035	25,5	30	M-8	20	0,046	50	8	8	6	
120036	25,5	40	M-8	20	0,053	50	10	10	6	
BOBBINS TYPE A 30-50	120041	30	15	M-8	20	0,049	90	3	11	2,5
	120042	30	22	M-8	20	0,053	80	5	11	4
	120186	30	25	M-8	20	0,056	75	6,5	11	5
	120043	30	30	M-8	20	0,059	70	8	11	6
	120044	30	40	M-8	20	0,066	60	9	11	7,7
	120193	40	20	M-8	20	0,086	160	5	20	3
	120194	40	25	M-8	20	0,1	150	6	20	3,5
	120195	40	28	M-8	20	0,106	150	6	20	5,5
	120196	40	30	M-8	20	0,113	150	6	30	5,5
	120197	40	35	M-8	20	0,117	120	8	20	6,5
	120198	40	40	M-8	20	0,123	120	10	20	7,5
	120199	40	45	M-8	20	0,134	120	11	20	9
	120051	40	20	M-10	25	0,1	160	5	20	3
	120191	40	25	M-10	25	0,104	150	6	20	3,5
	120052	40	28	M-10	25	0,111	150	6	20	5,5
	120192	40	30	M-10	25	0,117	150	6	30	5,5
	120053	40	35	M-10	25	0,121	120	8	20	6,5
	120054	40	40	M-10	25	0,128	120	10	20	7,5
	120055	40	45	M-10	25	0,137	120	11	20	9
	120201	50	20	M-10	25	0,128	300	5	25	3,5
120061	50	25	M-10	25	0,132	300	6	25	4,5	
120202	50	30	M-10	25	0,148	275	7	25	6,5	
120062	50	35	M-10	25	0,153	250	8	25	7	
120203	50	40	M-10	25	0,169	210	10	25	8	
120063	50	45	M-10	25	0,179	190	11	25	9	
120204	50	50	M-10	25	0,199	170	11	25	10,5	
120064	50	60	M-10	25	0,21	150	11	25	12	
BOBBINS TYPE A 60-95	120071	60	25	M-10	25	0,207	400	6	30	4,5
	120072	60	36	M-10	25	0,241	300	9	30	7
	120073	60	45	M-10	25	0,269	250	11	30	9
	120074	60	60	M-10	25	0,315	200	12	30	10
	120081	70	35	M-10	25	0,322	450	8	35	6,5
	120082	70	50	M-10	25	0,38	350	11	35	11
	120083	70	60	M-10	25	0,423	300	12	35	13
	120084	70	70	M-10	25	0,485	300	14	35	15
	120091	75	25	M-12	30	0,32	650	7	37	5
	120092	75	40	M-12	30	0,402	500	9	37	7
	120093	75	45	M-12	30	0,423	500	10	37	9
	120094	75	55	M-12	30	0,468	450	11	37	11
	120101	80	30	M-14	35	0,503	950	7	40	5
	120102	80	40	M-14	35	0,561	600	9	40	7
120103	80	50	M-14	35	0,606	550	10	40	8	
120104	80	55	M-14	35	0,571	550	11	40	9	
120105	80	70	M-14	35	0,71	500	13	40	15	
120106	80	75	M-14	35	0,737	450	14	40	16	
120111	95	40	M-16	45	0,803	1200	8	60	7	
120112	95	55	M-16	45	0,932	1000	11	60	8	
120113	95	60	M-16	45	0,971	800	12	60	10	
120114	95	75	M-16	45	1,148	700	13	60	14	
BOBBINS TYPE A 105-150	120121	105	50	M-16	45	1	1200	9	80	9
	120122	105	75	M-16	45	1,283	1000	13	80	14
	120123	105	100	M-16	45	1,493	800	16	80	16
	120131	120	50	M-16	45	1,153	1500	9	100	9
	120132	120	75	M-16	45	1,568	1200	13	100	14
	120133	120	100	M-16	45	1,903	1000	16	100	16
	120142	130	50	M-16	45	1,658	1600	9	120	9
	120143	130	75	M-16	45	2,105	1450	13	120	14
	120144	130	100	M-16	45	2,492	1200	16	120	16
	120151	150	50	M-20	50	2,268	1800	9	140	9
120152	150	75	M-20	50	2,808	1650	13	140	14	
120153	150	100	M-20	50	3,356	1400	16	140	16	

AMC MECANOCAUCHO® BOBBINS TYPE B

OPERATION AND INSTALLATION

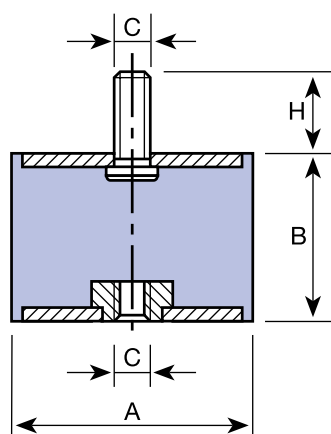
Their elasticity is much greater in all the directions parallel to the armatures than in the perpendicular direction. The rubber works based on compression or shear depending on the direction it is placed in at installation time. This direction is made according to the use and the objective.

It is therefore installed with nuts or screws depending on the model chosen, with one part attached to the fixed chassis and the other to the machine to be suspended.

APPLICATIONS

The AMC MECANOCAUCHO® bobbins are particularly suitable for installation on small motor-pumps, motor-ventilators, driers, sieves, compactors, washing machines, electrical motors, on-board control panels, measuring apparatuses, control cabinets, microphones, fluorescent tubes, etc.

TYPE B



Type	Code	A (mm)	B (mm)	C (mm)	H (mm)	Weight (kg)	COMPRESSION LOAD Max. daN	COMPRESSION DEFLECT. mm	SHEAR LOAD Max. daN	SHEAR DEFLECT. mm
BOBBINS TYPE B 12-25	121001	12,5	10	M-5	10	0,005	12	2	1,5	1,5
	121002	12,5	15	M-5	10	0,006	10	3	1,5	2
	121003	12,5	20	M-5	10	0,007	8	3,5	1,5	4
	121011	16	10	M-5	12	0,008	20	1,5	2,5	1,5
	121012	16	15	M-5	12	0,01	20	3	2,5	2
	121013	16	20	M-5	12	0,011	15	4	2,5	4
	121014	16	25	M-5	12	0,012	15	5	2	5
	121022	20	15	M-6	16,5	0,017	35	4	5	2,5
	121023	20	20	M-6	16,5	0,018	30	5	5	3,5
	121024	20	25	M-6	16,5	0,02	30	5,5	4,5	4,5
	121025	20	30	M-6	16,5	0,021	25	7	4,5	4,5
	121172	25,5	15	M-6	18	0,033	60	3,5	8	2,5
	121173	25,5	20	M-6	18	0,034	55	4,5	8	3,5
	121174	25,5	25	M-6	18	0,037	50	6	8	4,5
	121175	25,5	30	M-6	18	0,038	50	8	8	6
	121031	25,5	15	M-8	20	0,036	60	3,5	8	2,5
121032	25,5	19	M-8	20	0,037	55	4,5	8	3,5	
121033	25,5	22	M-8	20	0,038	50	5,5	8	4	
121034	25,5	25	M-8	20	0,039	50	6	8	4,5	
121035	25,5	30	M-8	20	0,041	50	8	8	6	
121036	25,5	40	M-8	20	0,046	50	10	10	6	
BOBBINS TYPE B 30-40	121041	30	15	M-8	20	0,047	90	3	11	2,5
	121042	30	22	M-8	20	0,049	80	5	11	4
	121186	30	25	M-8	20	0,053	75	6,5	11	5
	121043	30	30	M-8	20	0,056	70	8	11	6
	121044	30	40	M-8	20	0,062	60	9	11	7,5
	121193	40	20	M-8	20	0,078	160	5	20	3
	121194	40	25	M-8	20	0,095	150	6	20	3,5
	121195	40	28	M-8	20	0,098	150	6	20	5,5
	121196	40	30	M-8	20	0,101	150	6	30	5,5
	121197	40	35	M-8	20	0,102	120	8	20	6,5
	121198	40	40	M-8	20	0,105	120	10	20	7,5
	121199	40	45	M-8	20	0,12	120	11	20	9
	121051	40	20	M-10	25	0,09	160	5	20	3
	121191	40	25	M-10	25	0,099	150	6	20	3,5
121052	40	28	M-10	25	0,103	150	6	20	5,5	
121192	40	30	M-10	25	0,103	150	6	30	5,5	
121053	40	35	M-10	25	0,105	120	8	20	6,5	
121054	40	40	M-10	25	0,109	120	10	20	7,5	
121055	40	45	M-10	25	0,125	120	11	20	9	
BOBBINS TYPE B 50-75	121201	50	20	M-10	25	0,124	300	5	25	3,5
	121061	50	25	M-10	25	0,128	300	6	25	4,5
	121202	50	30	M-10	25	0,141	275	7	25	6,5
	121062	50	35	M-10	25	0,151	250	8	25	7
	121203	50	40	M-10	25	0,162	210	10	25	8
	121063	50	45	M-10	25	0,173	190	11	25	9
	121204	50	50	M-10	25	0,192	170	11	25	10,5
	121064	50	60	M-10	25	0,202	150	11	25	12
	121071	60	25	M-10	25	0,204	400	6	30	4,5
	121072	60	36	M-10	25	0,238	300	9	30	7
	121073	60	45	M-10	25	0,264	250	11	30	9
	121074	60	60	M-10	25	0,311	200	12	30	10
	121081	70	35	M-10	25	0,311	450	8	35	6,5
	121082	70	50	M-10	25	0,371	350	11	35	11
	121083	70	60	M-10	25	0,416	300	12	35	13
	121084	70	70	M-10	25	0,479	300	14	35	15
121091	75	25	M-12	30	0,301	650	7	37	5	
121092	75	40	M-12	30	0,384	500	9	37	7	
121093	75	45	M-12	30	0,411	500	10	37	9	
121094	75	55	M-12	30	0,455	450	11	37	11	
BOBBINS TYPE B 80-150	121101	80	30	M-14	35	0,445	950	7	40	5
	121102	80	40	M-14	35	0,505	600	9	40	7
	121103	80	50	M-14	35	0,521	550	10	40	8
	121104	80	55	M-14	35	0,544	550	11	40	9
	121105	80	70	M-14	35	0,648	500	13	40	15
	121106	80	75	M-14	35	0,687	450	14	40	16
	121111	95	40	M-16	45	0,769	1200	8	60	7
	121112	95	55	M-16	45	0,88	1000	11	60	8
	121113	95	60	M-16	45	0,888	800	12	60	10
	121114	95	75	M-16	45	1,087	700	13	60	14
	121121	105	50	M-16	45	0,927	1200	9	80	9
	121122	105	75	M-16	45	1,208	1000	13	80	14
	121123	105	100	M-16	45	1,422	800	16	80	16
	121131	120	50	M-16	45	1,078	1500	9	100	9
	121132	120	75	M-16	45	1,407	1200	13	100	14
	121133	120	100	M-16	45	1,834	1000	16	100	16
	121142	130	50	M-16	45	1,591	1600	9	120	9
	121143	130	75	M-16	45	2,039	1450	13	120	14
	121144	130	100	M-16	45	2,426	1200	16	120	16
121151	150	50	M-20	50	3,301	1800	9	140	9	
121152	150	75	M-20	50	4,001	1650	13	140	14	
121153	150	100	M-20	50	-	1400	16	140	16	

AMC MECANOCAUCHO® BOBBINS TYPE C

OPERATION AND INSTALLATION

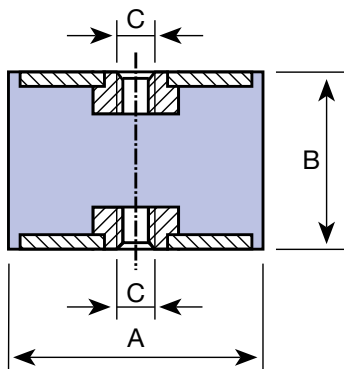
Their elasticity is much greater in all the directions parallel to the armatures than in the perpendicular direction. The rubber works based on compression or shear depending on the direction it is placed in at installation time. This direction is made according to the use and the objective.

It is therefore installed with nuts or screws depending on the model chosen, with one part attached to the fixed chassis and the other to the machine to be suspended.

APPLICATIONS

The AMC MECANOCAUCHO® bobbins are particularly suitable for installation on small motor-pumps, motor-ventilators, driers, sieves, compactors, washing machines, electrical motors, on-board control panels, measuring apparatuses, control cabinets, microphones, fluorescent tubes, etc.

TYPE C



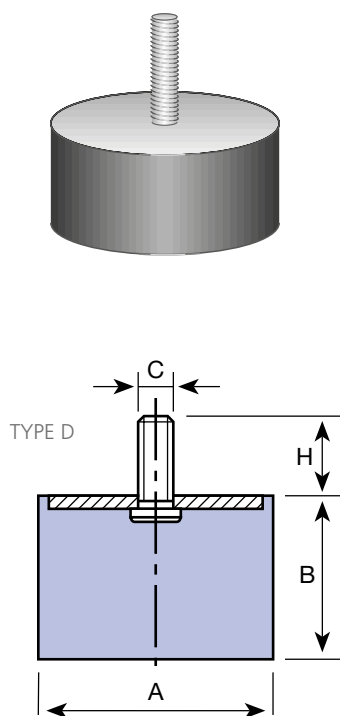
Type	Code	A (mm)	B (mm)	C (mm)	Weight (kg)	COMPRESSION LOAD Max. daN	COMPRESSION DE-FLECT. mm	SHEAR LOAD Max. daN	SHEAR DELECT. mm
BOBBINS TYPE C 12-30	122003	12,5	20	M-5	0,007	8	3,5	1,5	4
	122013	16	20	M-5	0,01	15	4	2,5	4
	122014	16	25	M-5	0,012	15	5	2	5
	122023	20	20	M-6	0,017	30	5	5	3,5
	122024	20	25	M-6	0,018	30	5,5	4,5	4,5
	122025	20	30	M-6	0,019	25	7	4,5	4,5
	122173	25,5	20	M-6	0,03	55	4,5	8	3,5
	122174	25,5	25	M-6	0,035	50	6	8	4,5
	122175	25,5	30	M-6	0,036	50	8	8	6
	122032	25,5	19	M-8	0,031	55	4,5	8	3,5
	122033	25,5	22	M-8	0,038	50	5,5	8	4
	122034	25,5	25	M-8	0,037	50	6	8	4,5
	122035	25,5	30	M-8	0,038	50	8	8	6
	122036	25,5	40	M-8	0,044	50	10	10	6
122042	30	22	M-8	0,045	80	5	11	4	
122186	30	25	M-8	0,048	75	6,5	11	5	
122043	30	30	M-8	0,052	70	8	11	6	
122044	30	40	M-8	0,061	60	9	11	7,5	
BOBBINS TYPE C 40-60	122194	40	25	M-8	0,089	150	6	20	3,5
	122195	40	28	M-8	0,097	150	6	20	5,5
	122196	40	30	M-8	0,097	150	6	30	5,5
	122197	40	35	M-8	0,099	120	8	20	6,5
	122198	40	40	M-8	0,106	120	10	20	7,5
	122199	40	45	M-8	0,111	120	11	20	9
	122052	40	28	M-10	0,094	150	6	20	5,5
	122192	40	30	M-10	0,099	150	6	30	5,5
	122053	40	35	M-10	0,102	120	8	20	6,5
	122054	40	40	M-10	0,109	120	10	20	7,5
	122055	40	45	M-10	0,114	120	11	20	9
	122061	50	25	M-10	0,117	300	6	25	4,5
	122202	50	30	M-10	0,134	275	7	25	6,5
	122062	50	35	M-10	0,146	250	8	25	7
	122203	50	40	M-10	0,161	210	10	25	8
	122063	50	45	M-10	0,171	190	11	25	9
	122204	50	50	M-10	0,185	170	11	25	10,5
	122064	50	60	M-10	0,199	150	11	25	12
122071	60	25	M-10	0,194	400	6	30	4,5	
122072	60	36	M-10	0,234	300	9	30	7	
122073	60	45	M-10	0,255	250	11	30	9	
122074	60	60	M-10	0,304	200	12	30	10	
122081	70	35	M-10	0,307	450	8	35	6,5	
122082	70	50	M-10	0,376	350	11	35	11	
122083	70	60	M-10	0,41	300	12	35	13	
122084	70	70	M-10	0,469	300	14	35	15	
122092	75	40	M-12	0,351	500	9	37	7	
122093	75	45	M-12	0,395	500	10	37	9	
122094	75	55	M-12	0,436	450	11	37	11	
122101	80	30	M-14	0,391	950	7	40	5	
122102	80	40	M-14	0,449	600	9	40	7	
122103	80	50	M-14	0,492	550	10	40	8	
122104	80	55	M-14	0,516	550	11	40	9	
122105	80	70	M-14	0,602	500	13	40	15	
122106	80	75	M-14	0,63	450	14	40	16	
122111	95	40	M-16	0,714	1.200	8	60	7	
122112	95	55	M-16	0,851	1.000	11	60	8	
122113	95	60	M-16	0,88	800	12	60	10	
122114	95	75	M-16	1,026	700	13	60	14	
122122	105	50	M-16	0,714	1.200	9	80	9	
122123	105	75	M-16	1,158	1.000	13	80	14	
122124	105	100	M-16	1,405	800	16	80	16	
122131	120	50	M-16	1,108	1.500	9	100	9	
122132	120	75	M-16	1,366	1.200	13	100	14	
122133	120	100	M-16	1,702	1.000	16	100	16	
122142	130	50	M-16	2,125	1.600	9	120	9	
122143	130	75	M-16	1,962	1.450	13	120	14	
122144	130	100	M-16	2,356	1.200	16	120	16	
122151	150	50	M-20	2,024	1.800	9	140	9	
122152	150	75	M-20	2,558	1.650	13	140	14	
122153	150	100	M-20	2,996	1.400	16	140	16	

SIMPLE BUFFERS AMC MECANOCAUCHO® TYPE D

APPLICATIONS

As buffers: In any case for limiting a flexible element.

- End of stroke of spring or damper.
- End of stroke of cranes and hoists.
- Setting of fragile material in packings.



Type	Code	A (mm)	B (mm)	C (mm)	H (mm)	Weight (kg)	COMPRESSION LOAD Max. daN	COMPRESSION DEFLECT. mm
SIMPLE BUFFERS AMC 12-25	110001	12,5	10	M-5	10	0,004	12	2
	110002	12,5	15	M-5	10	0,004	10	3
	110003	12,5	20	M-5	10	0,005	8	3,5
	110004	16	10	M-5	12	0,006	20	1,5
	110005	16	15	M-5	12	0,008	20	3
	110006	16	20	M-5	12	0,008	15	4
	110007	16	25	M-5	12	0,009	15	5
	110008	20	8,5	M-6	16,5	0,009	40	1,5
	110009	20	15	M-6	16,5	0,012	35	4
	110010	20	20	M-6	16,5	0,012	30	5
	110011	20	25	M-6	16,5	0,015	30	5,5
	110012	20	30	M-6	16,5	0,017	25	7
	110091	25,5	10	M-6	18	0,02	80	2
	110092	25,5	15	M-6	18	0,021	60	3,5
	110093	25,5	20	M-6	18	0,022	55	4,5
	110094	25,5	25	M-6	18	0,025	50	6
	110095	25,5	30	M-6	18	0,028	50	8
	110013	25,5	10	M-8	20	0,022	80	2
	110014	25,5	15	M-8	20	0,024	60	3,5
110015	25,5	19	M-8	20	0,025	55	4,5	
110016	25,5	22	M-8	20	0,027	50	5,5	
110017	25,5	25	M-8	20	0,028	50	6	
110018	25,5	30	M-8	20	0,032	50	8	
110019	25,5	40	M-8	20	0,036	50	10	
SIMPLE BUFFERS AMC 30-50	110020	30	15	M-8	20	0,03	90	3
	110021	30	22	M-8	20	0,034	80	5
	110101	30	25	M-8	20	0,037	75	6,5
	110022	30	30	M-8	20	0,041	70	8
	110023	30	40	M-8	20	0,05	60	9
	110112	40	20	M-8	20	0,06	160	5
	110113	40	25	M-8	20	0,068	150	6
	110114	40	28	M-8	20	0,072	150	6
	110115	40	30	M-8	20	0,08	150	6
	110116	40	35	M-8	20	0,082	120	8
	110117	40	40	M-8	20	0,087	120	10
	110118	40	45	M-8	20	0,089	120	11
	110024	40	20	M-10	25	0,064	160	5
	110110	40	25	M-10	25	0,07	150	6
	110025	40	28	M-10	25	0,076	150	6
	110111	40	30	M-10	25	0,07	150	6
	110026	40	35	M-10	25	0,086	120	8
	110027	40	40	M-10	25	0,092	120	10
	110028	40	45	M-10	25	0,094	120	11
	110121	50	20	M-10	25	0,09	300	5
110029	50	25	M-10	25	0,093	300	6	
110122	50	30	M-10	25	0,104	275	7	
110030	50	35	M-10	25	0,114	250	8	
110123	50	40	M-10	25	0,125	210	10	
110031	50	45	M-10	25	0,138	190	11	
110124	50	50	M-10	25	0,144	170	11	
110032	50	60	M-10	25	0,17	150	11	
SIMPLE BUFFERS AMC 60-95	110033	60	25	M-10	25	0,145	400	6
	110034	60	36	M-10	25	0,177	300	9
	110035	60	45	M-10	25	0,206	250	11
	110036	60	60	M-10	25	0,251	200	12
	110037	70	35	M-10	25	0,236	450	8
	110038	70	50	M-10	25	0,294	350	11
	110039	70	60	M-10	25	0,336	300	12
	110040	70	70	M-10	25	0,397	300	14
	110041	75	25	M-12	30	0,222	650	7
	110042	75	40	M-12	30	0,302	500	9
	110043	75	45	M-12	30	0,323	500	10
	110044	75	55	M-12	30	0,373	450	11
	110045	80	30	M-14	35	0,341	950	7
	110046	80	40	M-14	35	0,395	600	9
	110047	80	50	M-14	35	0,415	550	10
110048	80	55	M-14	35	0,458	550	11	
110049	80	70	M-14	35	0,547	500	13	
110050	80	75	M-14	35	0,579	450	14	
110051	95	40	M-16	45	0,568	1200	8	
110052	95	55	M-16	45	0,689	1000	11	
110053	95	60	M-16	45	0,743	800	12	
110054	95	75	M-16	45	0,892	700	13	
SIMPLE BUFFERS AMC 105-150	110055	105	50	M-16	45	0,754	1200	9
	110056	105	75	M-16	45	1,262	1000	13
	110057	105	100	M-16	45	1,514	800	16
	110058	120	50	M-16	45	0,917	1500	9
	110059	120	75	M-16	45	1,252	1200	13
	110060	120	100	M-16	45	1,579	1000	16
	110062	130	50	M-16	45	1,257	1600	9
	110063	130	75	M-16	45	1,647	1450	13
	110064	130	100	M-16	45	2,035	1200	16
	110065	150	50	M-20	50	1,678	1800	9
	110066	150	75	M-20	50	2,202	1650	13
	110067	150	100	M-20	50	2,774	1400	16

SIMPLE BUFFERS

AMC

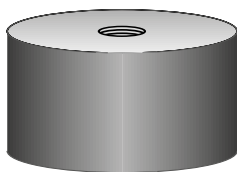
MECANOCAUCHO®

TYPE E

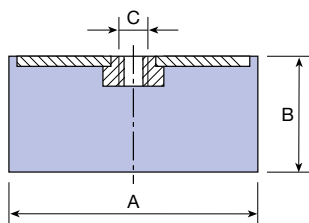
APPLICATIONS

As buffers: In any case for limiting a flexible element.

- End of stroke of spring or damper.
- End of stroke of cranes and hoists.
- Setting of fragile material in packings.



TYPE E



Type	Code	A (mm)	B (mm)	C (mm)	Weight (kg)	COMPRESSION LOAD Max. daN	COMPRESSION DEFLECT. mm
SIMPLE BUFFERS TYPE E 12-25	111001	12,5	10	M-5	0,004	12	2
	111002	12,5	15	M-5	0,004	10	3
	111003	12,5	20	M-5	0,004	8	3,5
	111004	16	10	M-5	0,005	20	1,5
	111005	16	15	M-5	0,006	20	3
	111006	16	20	M-5	0,007	15	4
	111007	16	25	M-5	0,008	15	5
	111008	20	8,5	M-6	0,008	40	1,5
	111009	20	15	M-6	0,008	35	4
	111010	20	20	M-6	0,011	30	5
	111011	20	25	M-6	0,012	30	5,5
	111012	20	30	M-6	0,015	25	7
	111091	25,5	10	M-6	0,015	80	2
	111092	25,5	15	M-6	0,016	60	3,5
	111093	25,5	20	M-6	0,021	55	4,5
	111094	25,5	25	M-6	0,023	50	6
	111095	25,5	30	M-6	0,026	50	8
	111013	25,5	10	M-8	0,017	80	2
	111014	25,5	15	M-8	0,019	60	3,5
111015	25,5	19	M-8	0,021	55	4,5	
111016	25,5	22	M-8	0,024	50	5,5	
111017	25,5	25	M-8	0,025	50	6	
111018	25,5	30	M-8	0,029	50	8	
111019	25,5	40	M-8	0,033	50	10	
SIMPLE BUFFERS TYPE E 30-50	111020	30	15	M-8	0,025	90	3
	111021	30	22	M-8	0,028	80	5
	111101	30	25	M-8	0,034	75	6,5
	111022	30	30	M-8	0,038	70	8
	111023	30	40	M-8	0,045	60	9
	111112	40	20	M-8	0,051	160	5
	111113	40	25	M-8	0,056	150	6
	111114	40	28	M-8	0,061	150	6
	111115	40	30	M-8	0,063	150	6
	111116	40	35	M-8	0,071	120	8
	111117	40	40	M-8	0,071	120	10
	111118	40	45	M-8	0,085	120	11
	111024	40	20	M-10	0,054	160	5
	111110	40	25	M-10	0,059	150	6
	111025	40	28	M-10	0,065	150	6
	111111	40	30	M-10	0,066	150	6
	111026	40	35	M-10	0,075	120	8
	111027	40	40	M-10	0,081	120	10
	111028	40	45	M-10	0,089	120	11
	111121	50	20	M-10	0,084	300	5
	111029	50	25	M-10	0,088	300	6
	111122	50	30	M-10	0,101	275	7
	111030	50	35	M-10	0,111	250	8
111123	50	40	M-10	0,124	210	10	
111031	50	45	M-10	0,134	190	11	
111124	50	50	M-10	0,151	170	11	
111032	50	60	M-10	0,166	150	11	
SIMPLE BUFFERS TYPE E 60-95	111033	60	25	M-10	0,138	400	6
	111034	60	36	M-10	0,171	300	9
	111035	60	45	M-10	0,197	250	11
	111036	60	60	M-10	0,246	200	12
	111037	70	35	M-10	0,225	450	8
	111038	70	50	M-10	0,287	350	11
	111039	70	60	M-10	0,327	300	12
	111040	70	70	M-10	0,396	300	14
	111041	75	25	M-12	0,201	650	7
	111042	75	40	M-12	0,277	500	9
	111043	75	45	M-12	0,3	500	10
	111044	75	55	M-12	0,348	450	11
	111045	80	30	M-14	0,283	950	7
	111046	80	40	M-14	0,335	600	9
	111047	80	50	M-14	0,382	550	10
	111048	80	55	M-14	0,411	550	11
	111049	80	70	M-14	0,495	500	13
	111050	80	75	M-14	0,515	450	14
	111051	95	40	M-16	0,521	1200	8
	111052	95	55	M-16	0,642	1000	11
111053	95	60	M-16	0,691	800	12	
111054	95	75	M-16	0,84	700	13	
SIMPLE BUFFERS TYPE E 105-150	111055	105	50	M-16	0,71	1200	9
	111056	105	75	M-16	0,956	1000	13
	111057	105	100	M-16	1,19	800	16
	111058	120	50	M-16	0,856	1500	9
	111059	120	75	M-16	1,203	1200	13
	111060	120	100	M-16	1,52	1000	16
	111062	130	50	M-16	1,19	1600	9
	111063	130	75	M-16	1,57	1450	13
	111064	130	100	M-16	1,958	1200	16
	111065	150	50	M-20	1,537	1800	9
	111066	150	75	M-20	2,557	1650	13
	111067	150	100	M-20	2,639	1400	16

STANDARD STAINLESS STEEL AMC MECANOCAUCHO® BOBBINS

OPERATION AND ASSEMBLY

Their elasticity is much greater in all the directions parallel to the armatures than in the perpendicular direction. The rubber works based on compression or shear depending on the direction it is placed in at installation time. This direction is made according to the use and the objective.

It is therefore installed with nuts or screws depending on the model chosen, with one part attached to the fixed chassis and the other to

the machine to be suspended.

APPLICATIONS

The AMC MECANOCAUCHO® bobbins are particularly suitable for installation on small motor-pumps, motor-ventilators, driers, sieves, compactors, washing machines, electrical motors, on-board control panels, measuring apparatuses, control cabinets, microphones, fluorescent tubes, etc.

Type	Code	A (mm)	B (mm)	C (mm)	H (mm)	Weight (kg)	COMPRESSION LOAD Max. daN	COMPRESSION DEFLECT. mm	SHEAR LOAD Max. daN	SHEAR DEFLECT. mm
BOBBINS TYPE A 12-25 STAINLESS STEEL	120301	20	20	M-6	18	0,019	30	5	5	3,5
	120302	20	25	M-6	18	-	30	5,5	4,5	4,5
	120303	25	25	M-6	18	-	55	4,5	8	3,5
	120304	25	30	M-6	18	-	50	8	8	6
	120305	30	20	M-8	23	0,055	80	5	11	4
	120306	30	30	M-8	23	-	70	8	11	6
	120307	40	30	M-8	23	0,092	150	6	30	5,5
	120308	40	40	M-10	28	0,131	120	10	20	7,5
	120309	50	25	M-10	28	-	300	6	25	4,5
	120310	50	35	M-10	28	-	250	8	25	7
	120311	50	45	M-10	28	-	190	11	25	9
	120312	60	35	M-10	28	-	300	9	30	7
	120313	60	45	M-10	28	0,255	250	11	30	9
	120314	60	60	M-10	28	0,304	200	12	30	10
	120315	70	45	M-12	37	0,376	350	11	35	11

Type	Code	A (mm)	B (mm)	C (mm)	Weight (kg)	COMPRESSION LOAD Max. daN	COMPRESSION DEFLECT. mm	SHEAR LOAD Max. daN	SHEAR DEFLECT. mm
BOBBINS TYPE C STAINLESS STEEL	120401	60	35	M-10	-	300	9	30	7
	120402	60	60	M-10	0,272	200	12	30	10
	120403	70	55	M-12	0,361	325	11,5	35	12
	120404	80	75	M-12	0,57	450	14	40	16
	120405	100	80	M-16	-	1000	13	80	14

AMC MECANOCAUCHO® DIABOLO MOUNTS

APPLICATIONS

The AMC MECANOCAUCHO® Diabolo mounts are particularly suitable for installation on small motor-pumps, motor-ventilators, driers, sieves, compactors, washing machines, electrical motors, on-board control panels, measuring apparatuses, control cabinets, micro-phones, fluorescent tubes, etc.

TYPE A		Type	A (mm)	B (mm)	D (mm)	H (mm)	COMPRESSION LOAD Max. daN	COMPRESSION DEFLECT. mm	SHEAR LOAD Max. daN	SHEAR DEFLECT. mm	Code	C (mm)	Weight (kg)
		F.000N	12	12	8	10	4	1,5	0,4	1,5	129001	M-5	0,006
F.00N	20	19	13,5	16,5	12	2,5	3	5	129002	M-6	0,017		
F.3	30	25	24	20	40	5	4	4,5	129003	M-8	0,08		
F.0N	40	28	19	25	30	5	2,5	4,5	129004	M-10	0,093		
F.9	40	30	26	25	45	3	4	4,5	129005	M-8	0,08		
F.7	44	42	25	25	50	6	9	6	129006	M-8	0,094		
F.1	60	44	24	20	40	5	7	5	129007	M-8	0,174		
F.2	60	44	34	20	75	5	12	6	129008	M-8	0,188		
F.2	60	44	34	25	75	5	12	6	129013	M-10	0,188		
F.4	60	60	50	25	150	8	30	10	129009	M-10	0,279		
F.8	60	36	37	25	100	7	20	8	129010	M-10	0,205		
F.5	80	70	70	35	300	9,5	55	9,8	129011	M-14	0,667		
F.6	95	76	80	45	400	9,5	70	8	129012	M-16	0,952		

TYPE B		Type	A (mm)	B (mm)	D (mm)	H (mm)	COMPRESSION LOAD Max. daN	COMPRESSION DEFLECT. mm	SHEAR LOAD Max. daN	SHEAR DEFLECT. mm	Code	C (mm)	Weight (kg)
		F.000N	12	12	8	10	4	1,5	0,4	1,5	129101	M-5	0,005
F.00N	20	19	13,5	16,5	12	2,5	3	5	129102	M-6	0,016		
F.3	30	25	24	20	40	5	4	4,5	129103	M-8	0,046		
F.0N	40	28	19	25	30	5	2,5	4,5	129104	M-10	0,084		
F.9	40	30	26	25	45	3	4	4,5	128006	M-8	0,072		
F.9	40	30	26	25	45	3	4	4,5	129105	M-8	0,074		
F.7	44	42	25	25	50	6	9	6	129106	M-8	0,09		
F.1	60	44	24	20	40	5	7	5	129107	M-8	0,167		
F.2	60	44	34	20	75	5	12	6	129108	M-8	0,183		
F.2	60	44	34	25	75	5	12	6	128010	M-10	-		
F.4	60	60	50	25	150	8	30	10	129109	M-10	0,271		
F.8	60	36	37	25	100	7	20	8	129110	M-10	0,202		
F.5	80	70	70	35	300	9,5	55	9,8	129111	M-14	0,616		
F.6	95	76	80	45	400	9,5	70	8	129112	M-16	0,94		

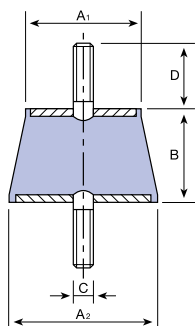
TYPE C		Type	A (mm)	B (mm)	D (mm)	COMPRESSION LOAD Max. daN	COMPRESSION DEFLECT. mm	SHEAR LOAD Max. daN	SHEAR DEFLECT. mm	Code	C (mm)	Weight (kg)
		F.00N	20	19	13,5	12	2,5	3	5	129202	M-6	0,015
F.3	30	25	24	40	5	4	4,5	129203	M-8	0,055		
F.0N	40	28	19	30	5	2,5	4,5	129204	M-10	0,074		
F.9	40	30	26	45	3	4	4,5	129213	M-8	0,058		
F.9	40	30	26	45	3	4	4,5	129205	M-8	0,069		
F.7	44	42	25	50	6	9	6	129206	M-8	0,082		
F.1	60	44	24	40	5	7	5	129207	M-8	0,164		
F.2	60	44	34	75	5	12	6	129208	M-8	0,174		
F.2	60	44	34	75	5	12	6	128002	M-10	0,198		
F.4	60	60	50	150	8	30	10	129209	M-10	0,257		
F.8	60	36	37	100	7	20	8	129210	M-10	0,187		
F.5	80	70	70	300	9,5	55	9,8	129211	M-14	0,551		
F.6	95	76	80	400	9,5	70	8	129212	M-16	0,897		

TRAPEZOIDAL MOUNTS AMC MECANOCAUCHO®

APPLICATIONS

Trapezoid mounts for ventilation boxes, small air-conditioning units, etc.

Type	B (mm.)	C	D (mm.)	A1	A2	Code	LOAD Kg. MIN	LOAD Kg. MAX
A-35-b	24	M8	24	30	40	131001	3	30
A-35	24	M8	24	30	40	131002	25	50
A-45-b	34	M8	24	40	50	131003	50	70
A-45	34	M8	24	40	50	131004	60	85
A-60	48	M12	Hembra	60	65	131005	85	150
A-130	72	M18	Hembra	130	140	131006	500	1.000

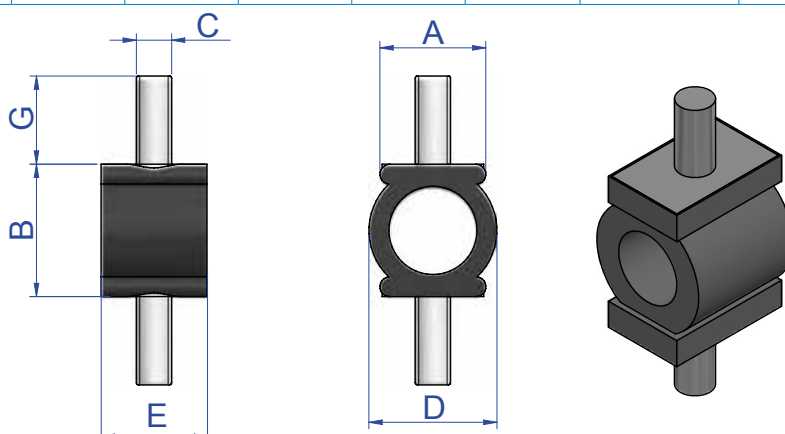


ANNULAR MOUNTS AMC MECANOCAUCHO®

APPLICATIONS

The AMC MECANOCAUCHO® Annular Mounts are comprised of a rubber ring joined by two metal parts with screws for fixation. Thanks to their design, these antivibration mounts may insulate low frequencies with low loads.

Type	A (mm.)	B (mm.)	C	D (mm.)	E (mm.)	G (mm.)	Code	Load (Kg.)	DEFLECTION mm.
832	9,5	18	M4	14	14	8	130011	0,5	1,5
828	9,5	18	M4	14	14	8	130003	1,25	1,5
829	9,5	18	M4	14	14	8	130001	2,5	1
830	24	30	M8	29	24	20	130004	3,5	6
831	24	30	M8	29	24	20	130002	8	6



PROGRESSIVE BUFFERS AMC MECANOCAUCHO®



APPLICATIONS

As buffers: In any case for limiting a flexible element.

- End of stroke of spring or damper.
- End of stroke of cranes and hoists.
- Setting of fragile material in packings.

TYPE A		Type	Code	A (mm.)	B (mm.)	C	H (mm.)	Load (Kg.)	Energy a 1 m/s Kg. M.	Dynamic Deflection mm.
		T-25	115001	25	19	M8	20	100	0,3	8
		T-30	115002	30	30	M6	16	140	0,6	15
		T-40	113025	35	40	M10	25	180	2	20
		T-50	115003	50	50	M8	20	340	3	25
		T-50	115004	50	64	M8	35	370	4	32
		T-50	115005	50	58	M8	20	400	3,7	28
		T-70	115006	72	58	M12	30	550	5	26

TYPE C		Type	Code	A (mm.)	B (mm.)	C	Load (Kg.)	Energy a 1 m/s Kg. M.	Dynamic Deflection mm.
		T-25	115008	25	19	M8	100	0,3	8
		T-30	115009	30	30	M6	140	0,6	15
		T-50	115010	50	50	M8	340	3	25
		T-50	115011	50	64	M8	370	4	32
		T-50	115012	50	58	M8	400	3,7	28
		T-70	115014	72	58	M12	550	5	26
		T-95	115015	95	80	M16	1100	12	37

TYPE A		Type	Code	A (mm.)	B (mm.)	C	H (mm.)	Load (Kg.)	Energy a 1 m/s Kg. M.	Dynamic Deflection mm.
		T-95	115007	95	80	M16	45	1100	12	37
		T - 85	116001	84	52	M12	35	1500	20	20
		T - 120	116002	120	75	M16	45	3000	34	22
T - 220	116003	220	137	M24	80	15000	250	40		

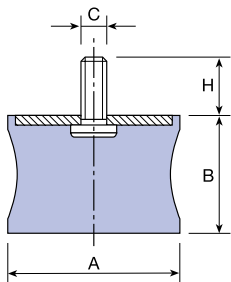
TYPE C		Type	Code	A (mm.)	B (mm.)	C	Load (Kg.)	Energy a 1 m/s Kg. M.	Dynamic Deflection mm.
		T - 85	116011	84	52	M12	1500	20	20
		T - 120	116012	120	75	M16	3000	34	22
T - 220	116013	220	137	M24	15000	250	40		

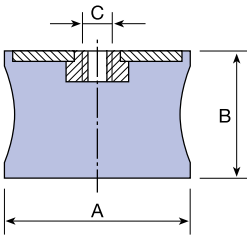
DIABOLO BUFFERS AMC MECANOCAUCHO®

APPLICATIONS

As buffers: In any case for limiting a flexible element.

- End of stroke of spring or damper.
- End of stroke of cranes and hoists.
- Setting of fragile material in packings.

TYPE A											
	Type	Code	A (mm)	B (mm)	C (mm)	H (mm)	Weight (kg)	Static Load max. daN	Dynamic Load max. daN	Dynamic Deflection mm	Static Deflection mm
	F.3	114001	30	23	M-8	20	0,032	40	90	9	5
	F.7	114002	44	42	M-8	20	0,07	50	100	10	6
	F.1	114003	60	44	M-8	20	0,116	40	100	10	4
	F.2	114004	60	44	M-8	20	0,127	75	200	12	5,5
	F.4	114005	60	60	M-10	25	0,213	150	350	15	8
	F.8	114006	60	31	M-10	25	0,135	100	275	14	7
	F.5	114007	80	65	M-14	35	0,508	300	800	16	9,5
	F.6	114008	95	70	M-16	45	0,724	400	1000	18	9,5

TYPE C											
	Type	Code	A (mm)	B (mm)	C (mm)	Weight (kg)	Static Load max. daN	Dynamic Load max. daN	Dynamic Deflection mm	Static Deflection mm	
	F.3	114011	30	23	M-8	0,036	40	90	9	5	
	F.7	114012	44	42	M-8	0,066	50	100	10	6	
	F.1	114013	60	44	M-8	0,098	40	100	10	4	
	F.2	114014	60	44	M-8	0,117	75	200	12	5,5	
	F.4	114015	60	60	M-10	0,204	150	350	15	8	
	F.8	114016	60	31	M-10	0,127	100	275	14	7	
	F.5	114017	80	65	M-14	0,445	300	800	16	9,5	
	F.6	114018	95	70	M-16	0,673	400	1000	18	9,5	

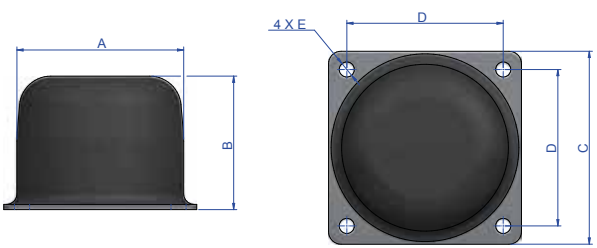
CYLINDRICAL BUFFERS AMC MECANOCAUCHO®

APPLICATIONS

As buffers: In any case for limiting a flexible element.

- End of stroke of spring or damper.
- End of stroke of cranes and hoists.
- Setting of fragile material in packings.



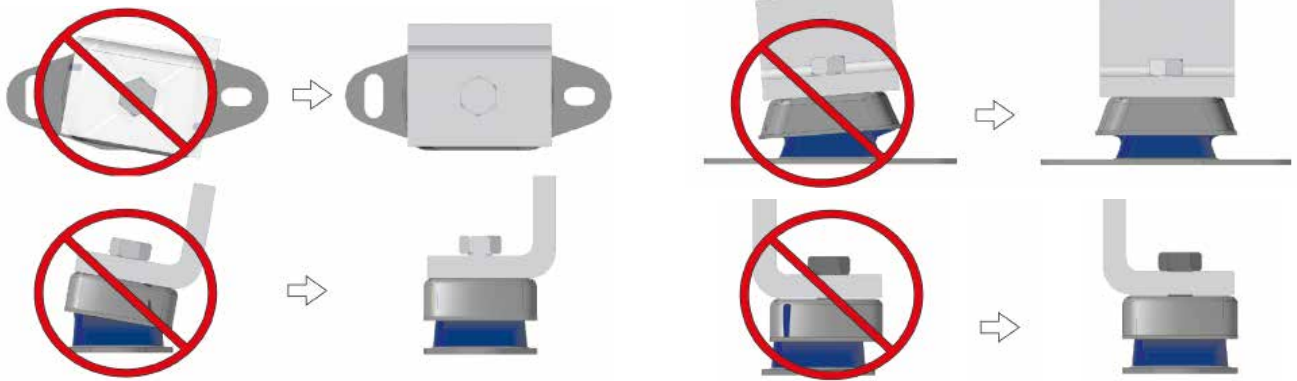
											
	Type	Code	A (mm)	B (mm)	C (mm)	D (mm)	E (mm)	Load (kg)	DEFLECTION mm	Weight (kg)	Energy (Nm)
	T - 150	117001	160	125	185	150	13,5	5000	50	4,172	1250
	T - 250	117002	250	208	315	250	14,5	40000	100	18	12500

INSTALLATION PRINCIPLES

RECOMMENDATIONS FOR HOOD MOUNTS

The hood mounts should be installed between two parallel and perfectly flat surfaces. Mounts operating tilted or twisted do not work properly. This may be due to incorrect alignment, tolerances in the building of the chassis or over-tightened torque during the installation of the Antivibration mounts.

This applies to our marine-type, BSB, BRB or Mecanodamp mounts.



RECOMMENDATIONS FOR THE CONICAL MOUNTS

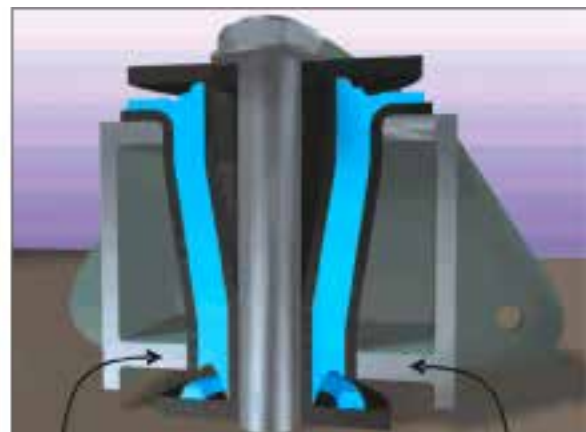
The conical mounts should always use the washers indicated for each model.

Similarly, we recommend the use of lateral limiters for cases with high loads or radial impact.

This applies to our AT, SCB, SCH or Mecanocaucho® mounts.



Anti-rebound washers



Radial load limiters

RECOMMENDATIONS FOR THE DSD AND DRD MOUNTS

Although it is not absolutely necessary, the AMC MECANOCAUCHO® hoods should be used in the DSD and DRD hoods. This hood distributes the load evenly in the event of overloads, and also provides protection from possible oil splashes.

Care should be taken to make sure that the protective hood has the same or a greater diameter than that of the diameter of the rubber element.

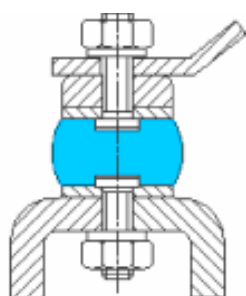
We have a standard range of Mecanocaucho® protection hoods. Check them out.



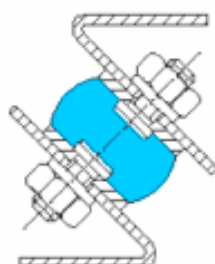
RECOMMENDATIONS FOR THE CYLINDRICAL MOUNTS

The cylindrical mounts should never work at traction. They should be used on a compression basis. To obtain greater deflection, use them at shear or shear /compression, although the maximum loads indicated in our catalogue for shear use should never be exceeded.

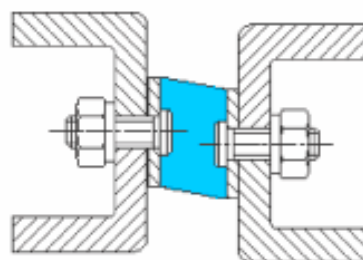
This applies to our bobbins, diabolos, trapezoidal or annular mounts.



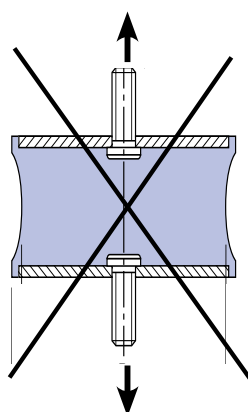
Compression



Compression-shear



Shear



RECOMMENDATIONS FOR MACHINES THAT REQUIRE ALIGNMENT

When an alignment is required between different mechanical elements of the machine, the creeping effect should be taken into account. The increased deformation produced by the creep of the elastomer leads to a "misalignment" between suspended and rigid elements, particularly during the first 48 hours of static load in the antivibration mounts.

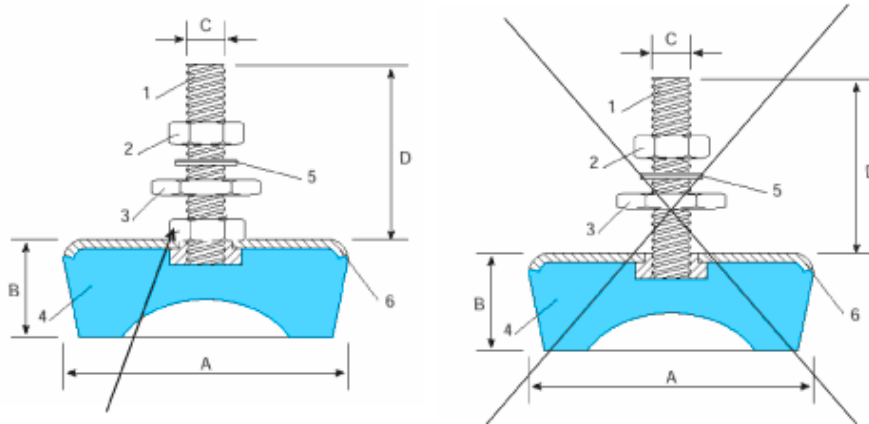
Alignment should therefore be checked 48 hours after the installation of the machine.

If this is not possible contact AMC's technical department and they will help you to ascertain the optimal alignment of your machine.

RECOMMENDATIONS FOR AMC MECANOCAUCHO® MACHINE MOUNTS WITHOUT ADJUSTABLE HOOD

On installing one of our AMC MECANOCAUCHO® machine mounts without adjustable hood, great care should be taken to ensure that the load of the machine does not rest on the screw, but on the hood.

This applies to our AMC MECANOCAUCHO® SV, SM and low SV series mounts.



This nut spreads the load on the bell and avoids tensioning the below welded insert.

RECOMMENDATIONS FOR TORQUE TIGHTENING FOR THE BRB, BSB, MD AND MARINE MOUNTS

Before installing, make sure that the support surfaces are sufficiently rigid flat and totally parallel. The main fixing screw should be tightened according to the torques recommended in the following chart:

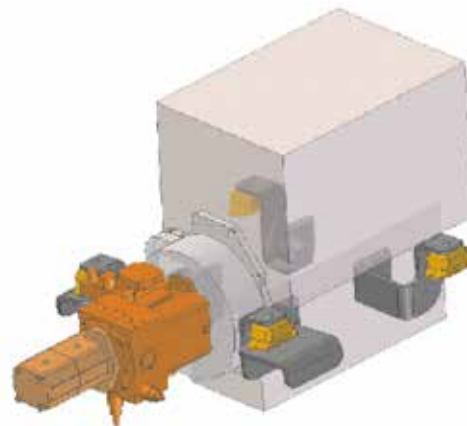
	M8	M10	M12	M16	M20	M24
Tightening torque Nm	16	32	55	125	190	285

RECOMMENDATIONS FOR THE INSTALLATION OF ANTIVIBRATION MOUNTS

The position of the antivibration mounts determines the vibration modes of the suspended ensemble. An even load distribution over all the mounts is advisable. One easy way of obtaining this is by installing the antivibration mounts equidistant from the CDG of the ensemble.

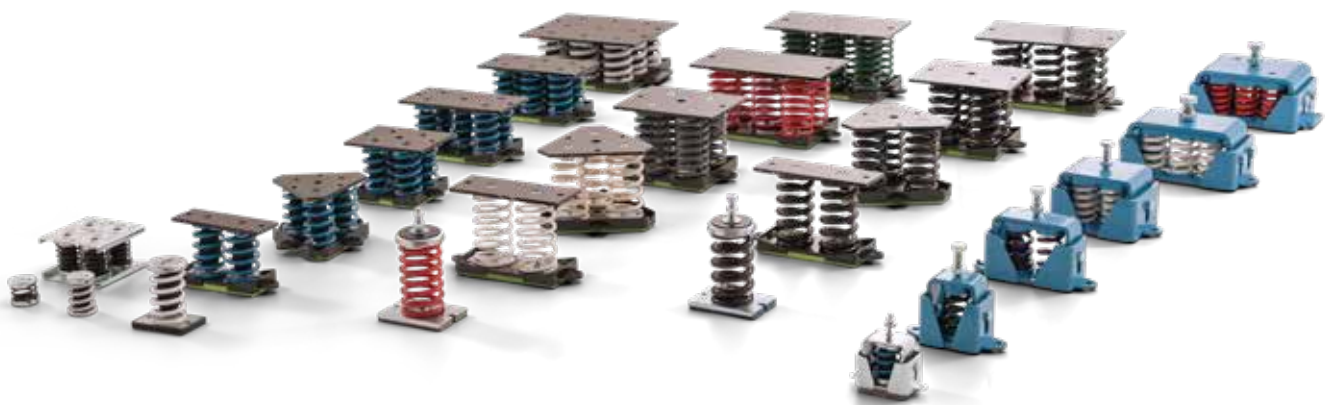
Mounts installed at the height of the crankshaft provide more stable suspensions and avoid over-movement of the suspended ensemble, particularly in mobile or moving applications.

The external connections to the suspended ensemble, such as cables, exhaust, hydraulic pipes, etc., must be elastic enough to prevent vibrations from being transmitted to the chassis through them.



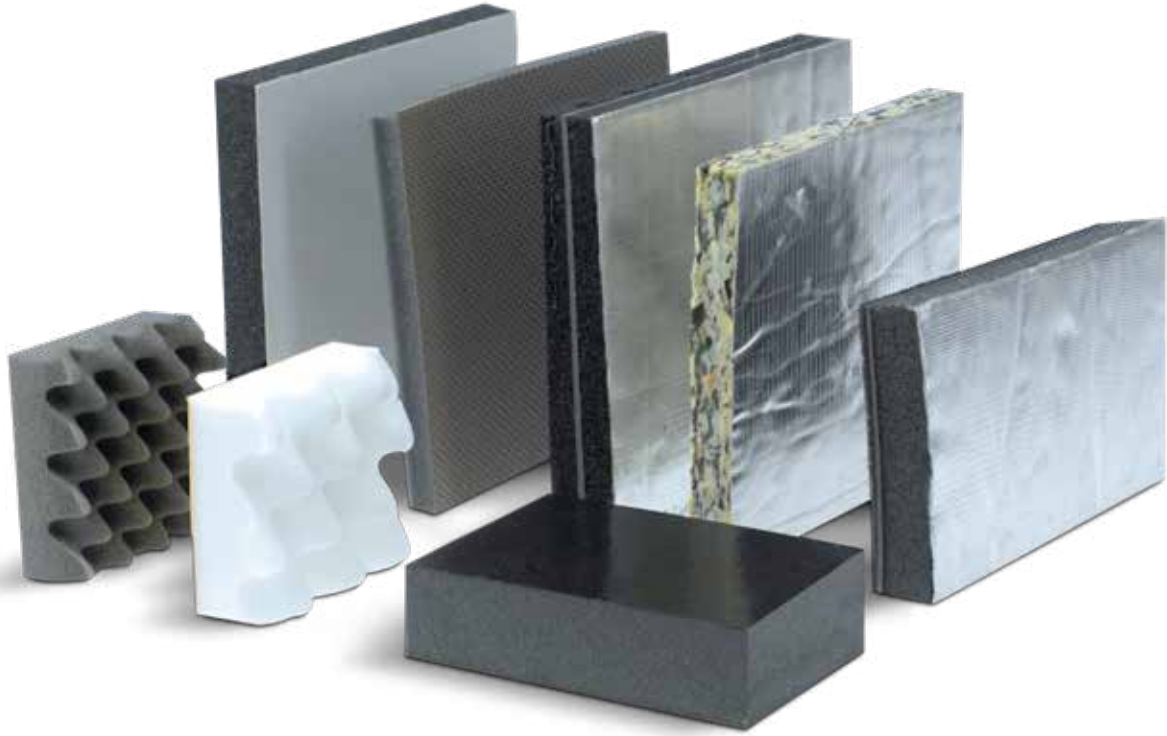
OTHER PRODUCTS

VIBRABSORBER+SYLOMER® Spring mounts catalogue.



NOISE REDUCTION MOUNTS

AKUSTIKABSORBER® Soundproofing Composites.



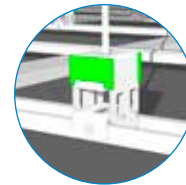
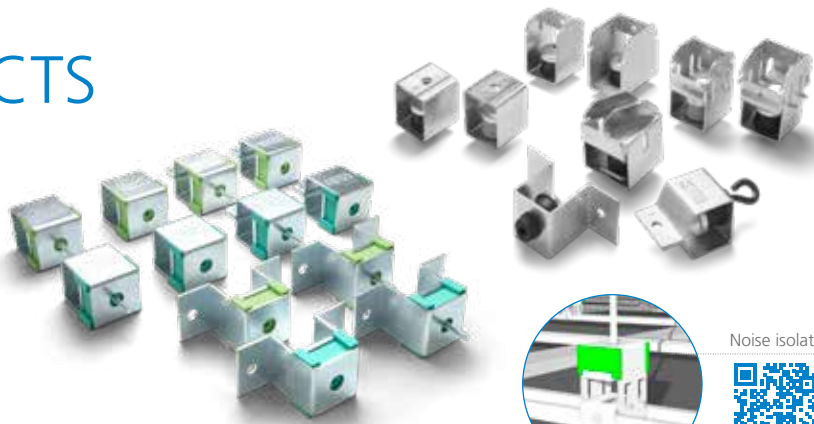
SYLOMER® Microcellular Polyurethane for optimal vibration isolation applications.



OTHER PRODUCTS

AKUSTIK & AKUSTIK+SYLOMER®
NOISE REDUCTION MOUNTS

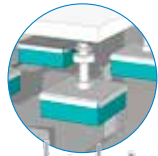
AKUSTIK & AKUSTIK+SYLOMER®
optimized structure borne noise
decoupling systems for architectural
acoustics.
www.akustik.com



Noise isolation ceiling



FZ + Sylomer®



TSR + Sylomer®



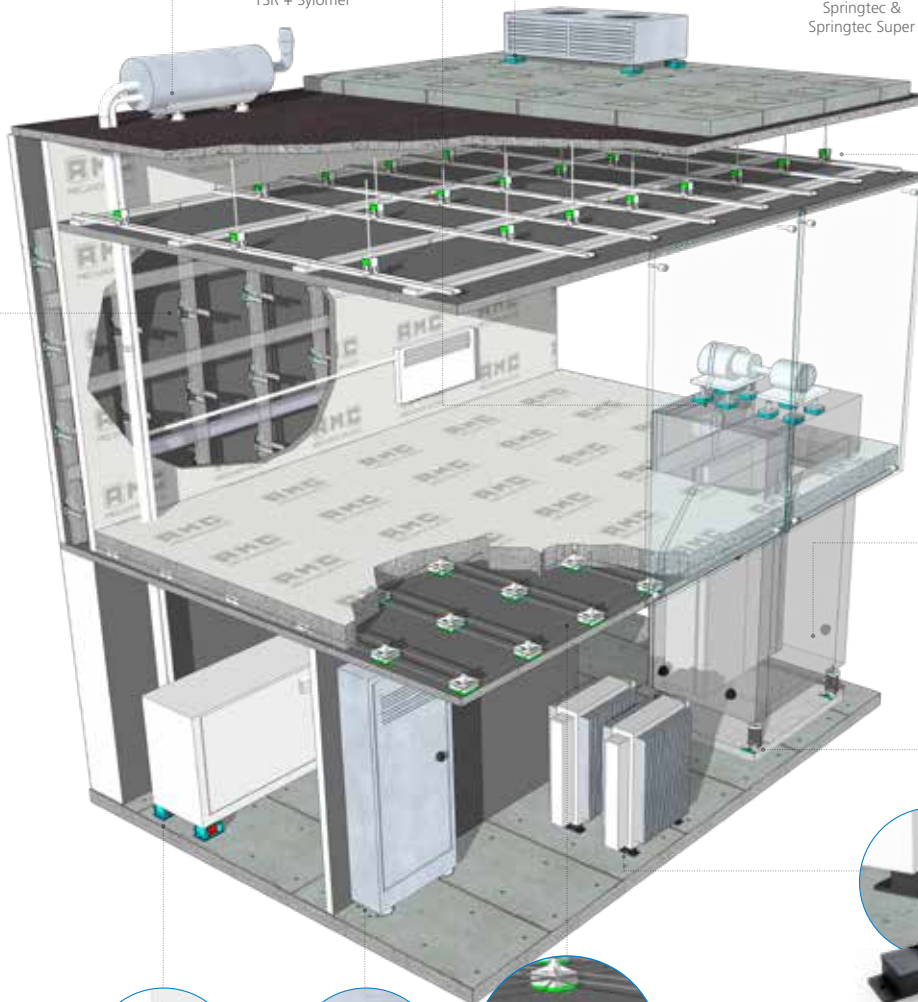
SRB & SRS + Sylomer®



Akustik groß



Akustik + Sylomer®



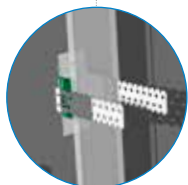
SCB



Vibrabsorber + Sylomer®



Transformatoren



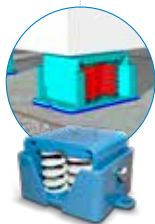
Noise isolation wall



EP+Sylomer®



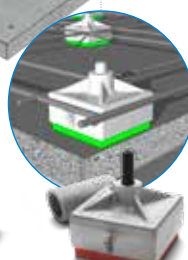
EP



AMC Anti-seismic + Sylomer®



BRB



FZH + Sylomer®



Noise isolation floor



Discover **THE APP THAT HELPS YOU TO FIND THE CORRECT VIBRATION ISOLATOR** for your application.



VIBRATION ISOLATOR PRO

DISPONIBILE SU
Google Play

Disponibile su
App Store



Let your phone discover THE MAIN DISTURBING FREQUENCIES of your application

The integrated accelerometers of your phone are capable of making an FFT measurement where you will be able to see what are the main frequencies that you need to isolate.



FRIENDLY ENVIRONMENT

The interface is very simple to use.



100% FREE & NO ADS

Vibration isolator Pro is free and will always be free. We are not going to sell ads or introduce subscription fees.



SUPPORT

For real-time support, send us a message directly to our support staff. You can also email us at

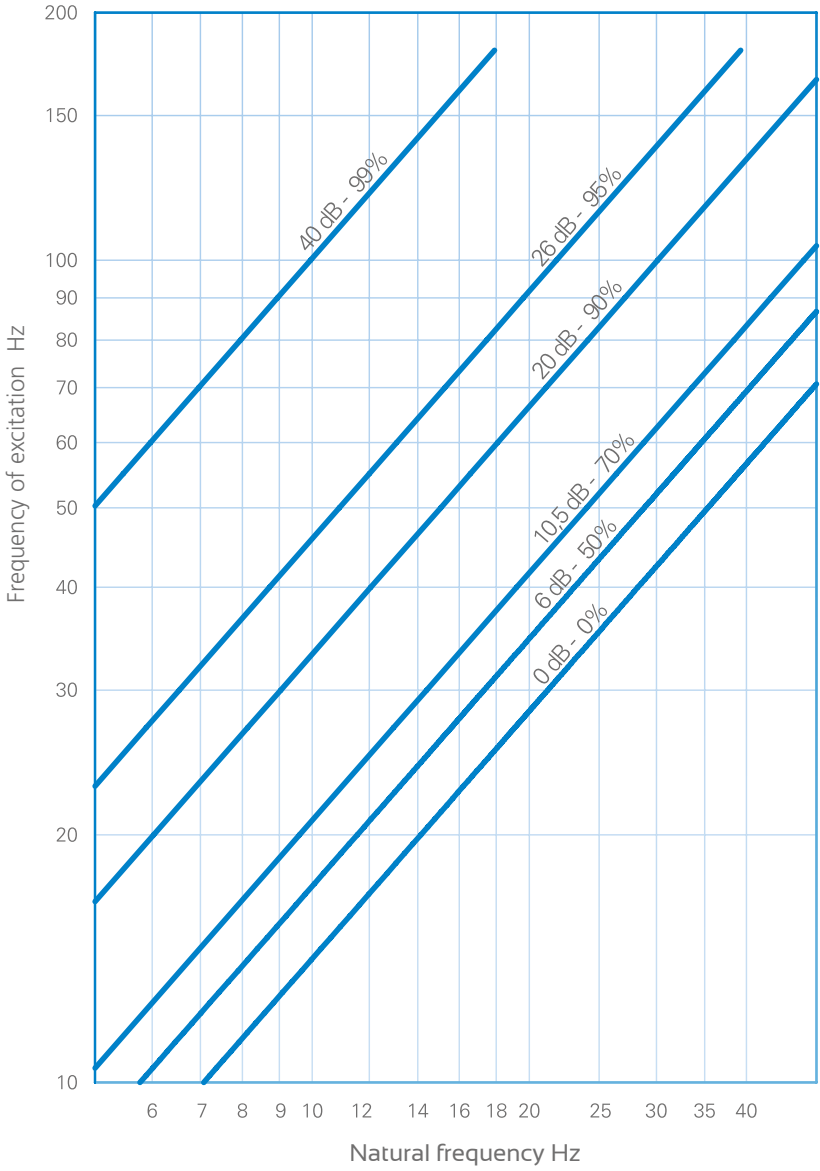
info@mecanocaucho.com



SECURE

We take your privacy seriously and will never give your data to third parties.

VIBRATION ISOLATION GRAPH





48 h.



24 h.

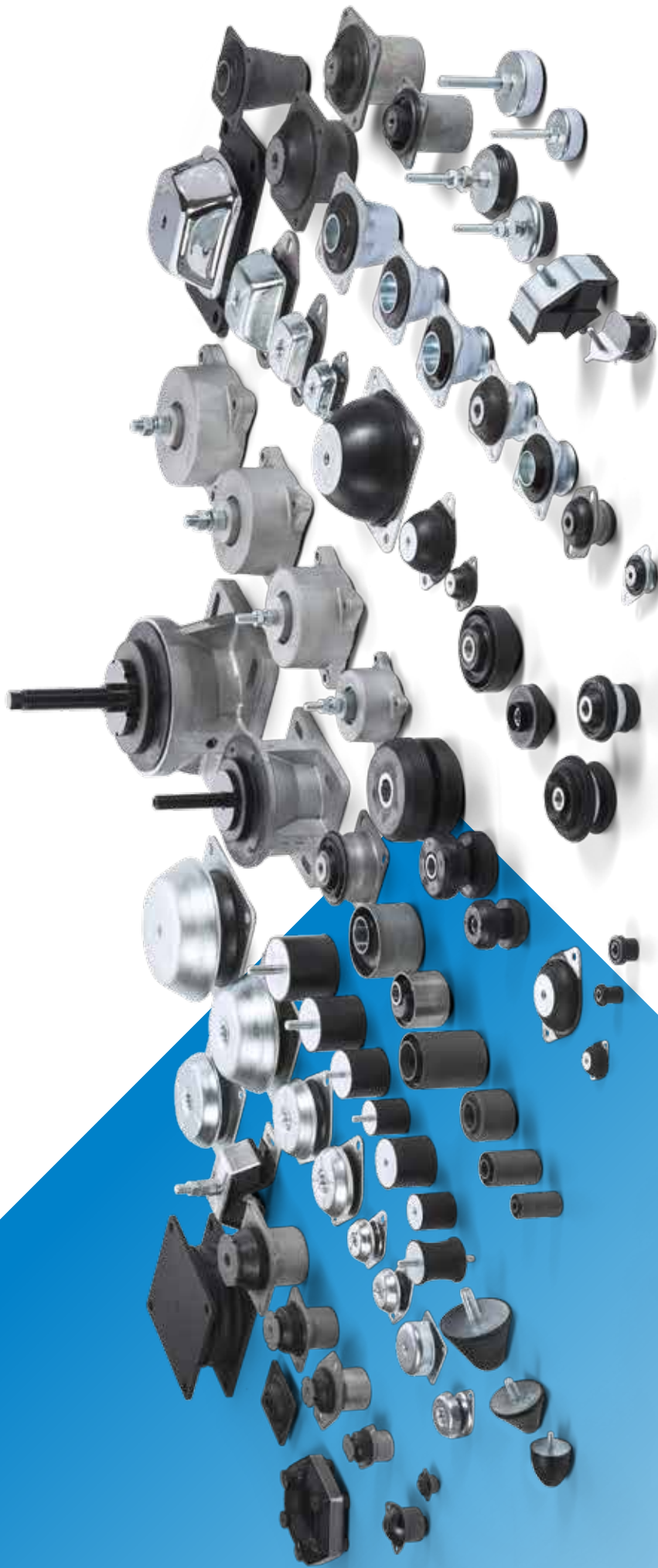
72 h.

24 h.

San Sebastián
Asteasu



Our stock is at your service.





Aplicaciones Mecánicas del Caucho S.A.
 Industrialdea Parc 35 A. • E-20.159
 ASTEASU (Gipuzkoa) Spain
 Tel.: + 34 943 69 61 02 • Fax: + 34 943 69 62 19
 e-mail: sales@amcsa.es
 www.akustik.com
www.mecanocaucho.com

DISCOVER OUR **NEW APPLICATIONS**: available at Android and IOS.

VIBRATION ISOLATOR PRO



Let your phone discover **THE MAIN DISTURBING FREQUENCIES** of your application. The integrated accelerometers of your phone are capable of making an FFT measurement where you will be able to see the main frequencies that you need to isolate.



ACOUSTIC HANGER PRO



Discover the app that helps you **FIND THE CORRECT ACOUSTIC HANGER** for your application. Let your phone provide you a full report of isolation, datasheets and installation video. **SIMPLE, EASY & FREE.**

